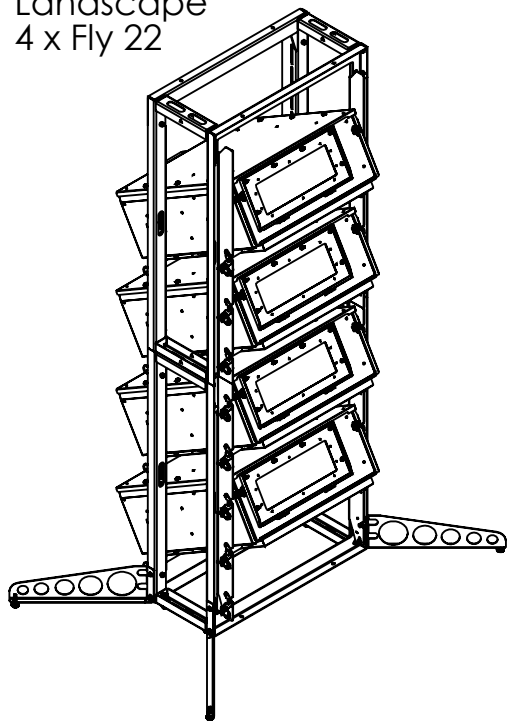
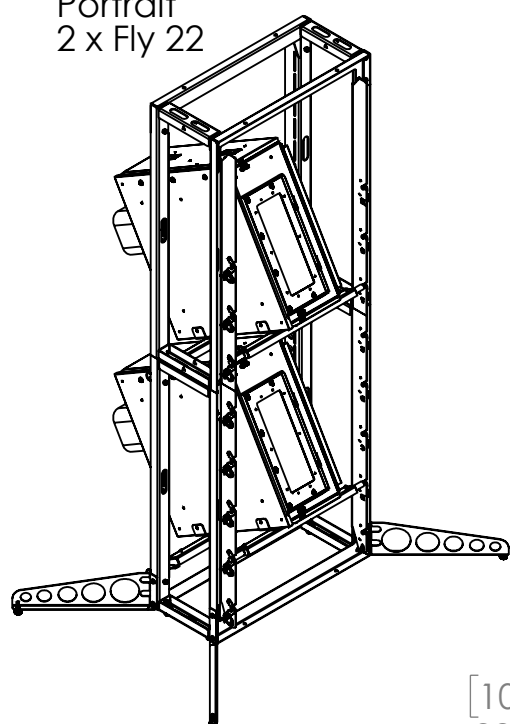


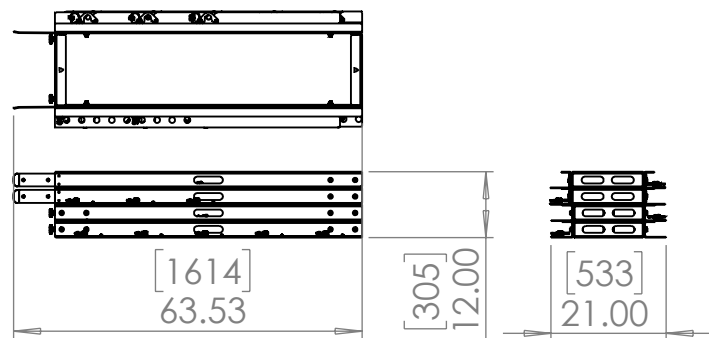
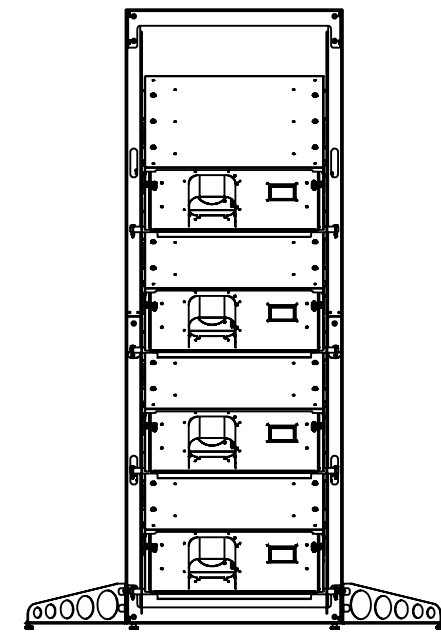
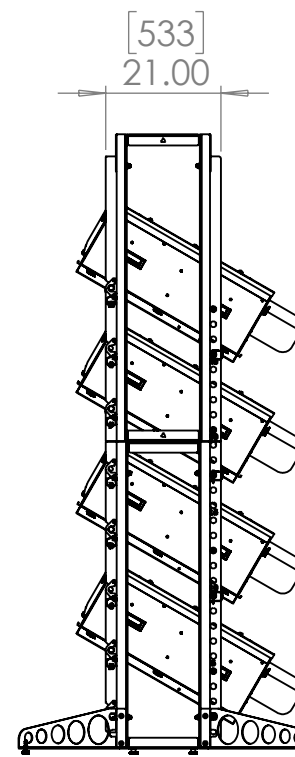
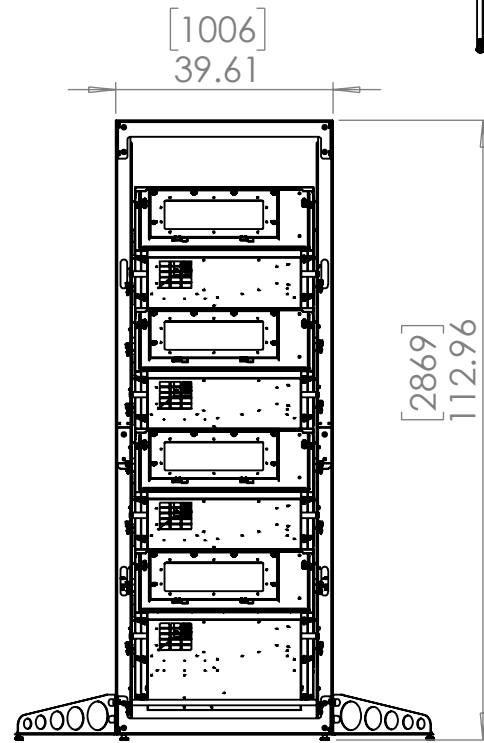
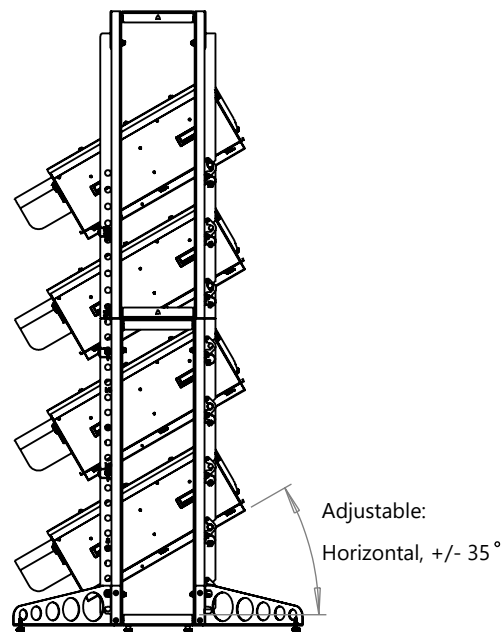
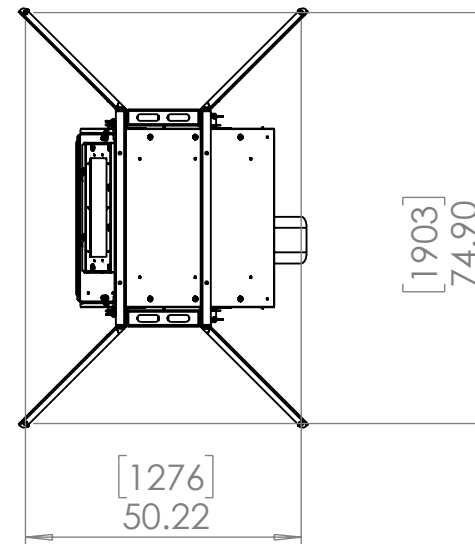
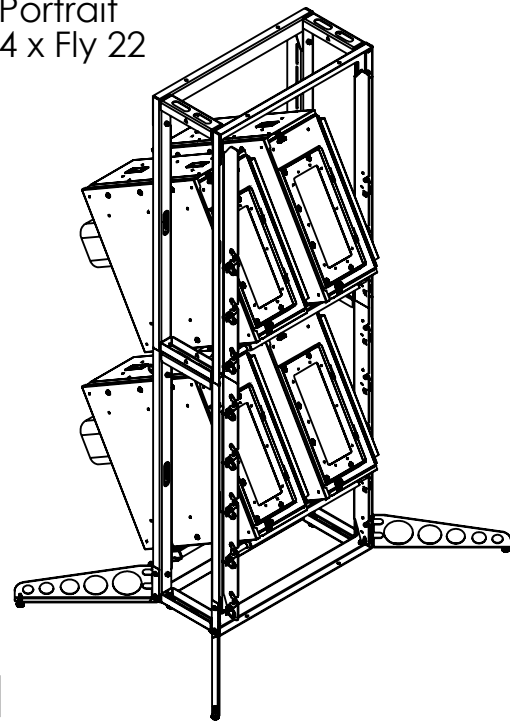
Landscape
4 x Fly 22



Portrait
2 x Fly 22



Portrait
4 x Fly 22



Packing Dimensions (weight: 40kg/91lb)

UNLESS OTHERWISE SPECIFIED:
DIMENSIONS ARE IN INCHES
TOLERANCES:
FRACTIONAL ±
ANGULAR: MACH ± BEND ±
TWO PLACE DECIMAL ±
THREE PLACE DECIMAL ±
INTERPRET GEOMETRIC
TOLERANCING PER:

MATERIAL
.160 Alu 5052

FINISH
BK01

DO NOT SCALE DRAWING

	NAME	DATE
DRAWN	TB	3/3/2024
CHECKED		
ENG APPR.		
MFG APPR.		
Q.A.		
COMMENTS:		



TITLE:
Fly Tower, for 4 x Fly 22

SIZE	DWG. NO.	REV
B	54.FT4.22	01

SCALE: 1:50 SHEET 1 OF 1