



# Fly

Rental & Staging  
Projector Enclosure  
System



# Fly

Rental & Staging  
Projector Enclosure  
System

## Fly Folds... and Unfolds!

### It does *what?*

It's true — Fly folds into less than half its volume, for compact storage and shipping.

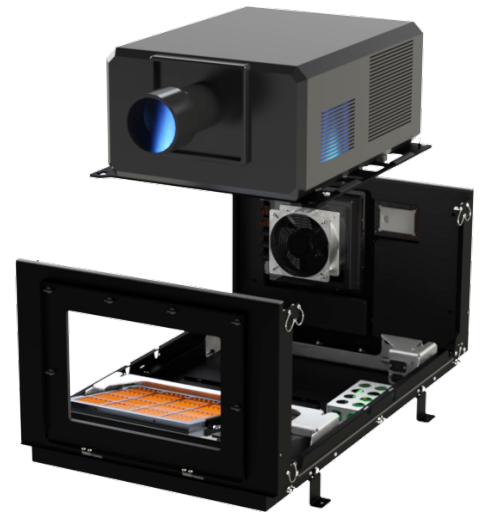
And Fly is LIGHT - less than 1/4 of the weight of a standard Tempest Typhoon rental enclosure.

Take a look...

*The Fly chassis folds flat, for super-compact shipping and storage*



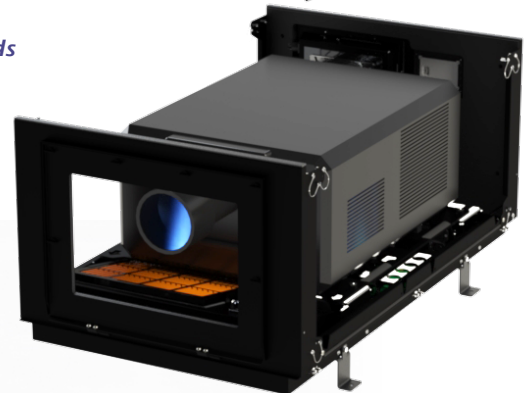
*flip up the front and back, lock with captive stainless steel pins (no tools)*



*The Fly tray takes any projector up to the maximum for your Fly model, and snaps securely into the chassis (still no tools)*



*The Fly Cover pins into place in seconds (right, no tools)*



*The doors latch either side, without (you guessed it) tools...*



*Now, just add your favorite rigging accessories.*

*This one has simple feet.*

# Fly

Rental & Staging  
Projector Enclosure  
System

Fly is Landscape...



*Fly 35, with Truss Hanger Kit - clamps securely to trusses up to 24in/62cm wide*

...and Portrait!



*Same enclosure, same truss hangers, flipped to portrait mode. It only takes a minute (but you do need a 6mm hex key!)*

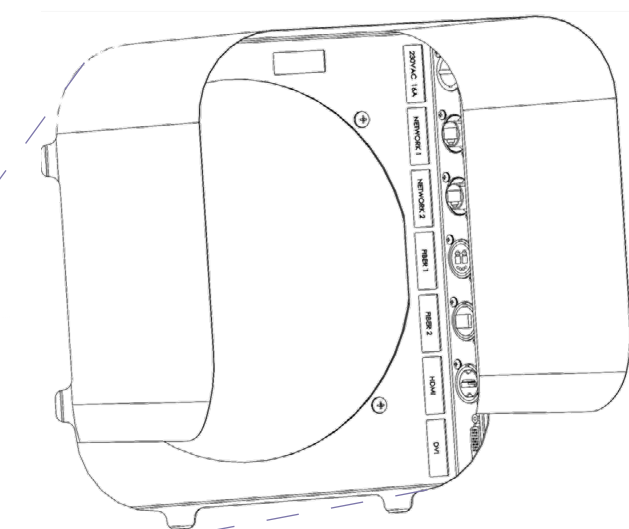
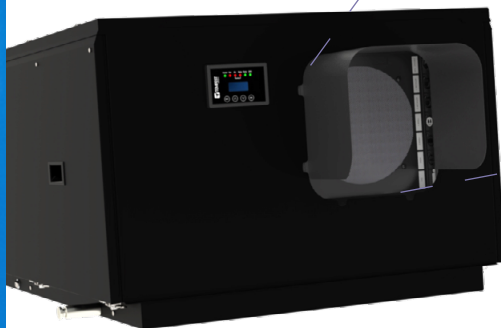
### Flexible Fly

Fly is so easy to reconfigure. Landscape now, portrait later, and with any projector in your rental fleet, up to the maximum for your Fly model.

The locks in place securely for operation in any orientation.

*The lightweight nylon fan cowl inflates when the projector is running to protect the insect screen and connector panel against rain.*

*It's easily rotated 90° for portrait operation — no tools!*



*Power inlet is Neutrik PowerCon True1 TOP for Fly 25/35, Power Con 32A for Fly 50/50+.*

*Signal connections? Your choice of Neutrik D-Series connectors (DVI also available)*

*Tempest User Interface for enclosure setup and monitoring — may be remotely monitored over the projector control network.*

# Fly

Rental & Staging  
Projector Enclosure  
System

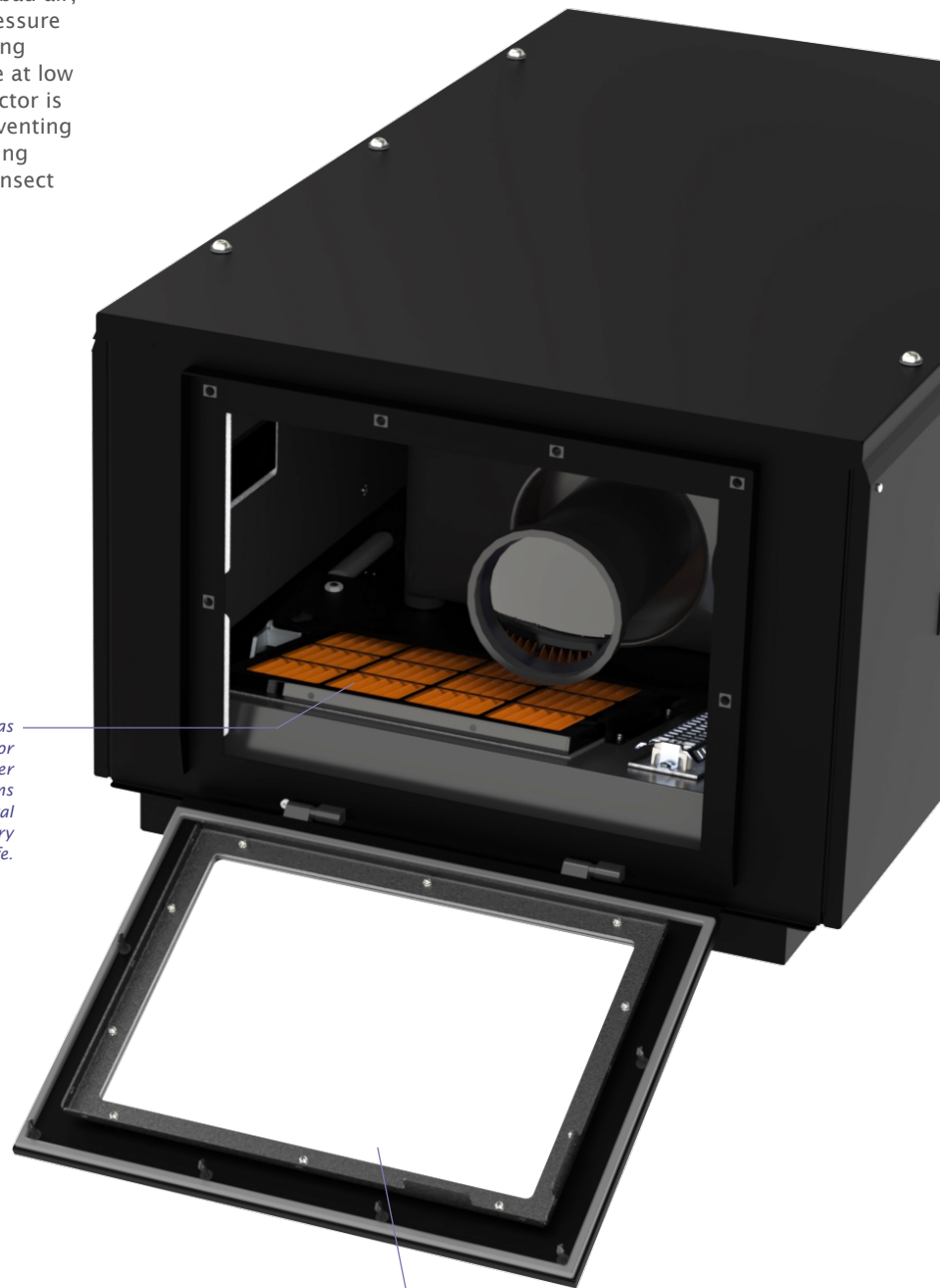
## Fly gives you Options

### Air Quality — Standard

Fly comes as standard with Tempest's well-proven filter, for dust and salt air, cracked oil, or other airborne pollutants.

### Positive Pressure Option

For long exposure to bad air, Tempest's Positive Pressure option keeps air flowing through the enclosure at low speed when the projector is in standby mode, preventing pollutants from entering through the exhaust insect screen.



*Tempest filters are as large as they can be, for better airflow at lower air velocity. That means more efficient removal of impurities and very long filter life.*

### Quick and easy Lens Changes

Fly's AR-coated port glass door opens without tools, allowing quick and easy lens changing, even at the top of a ladder!

### Long Lenses?

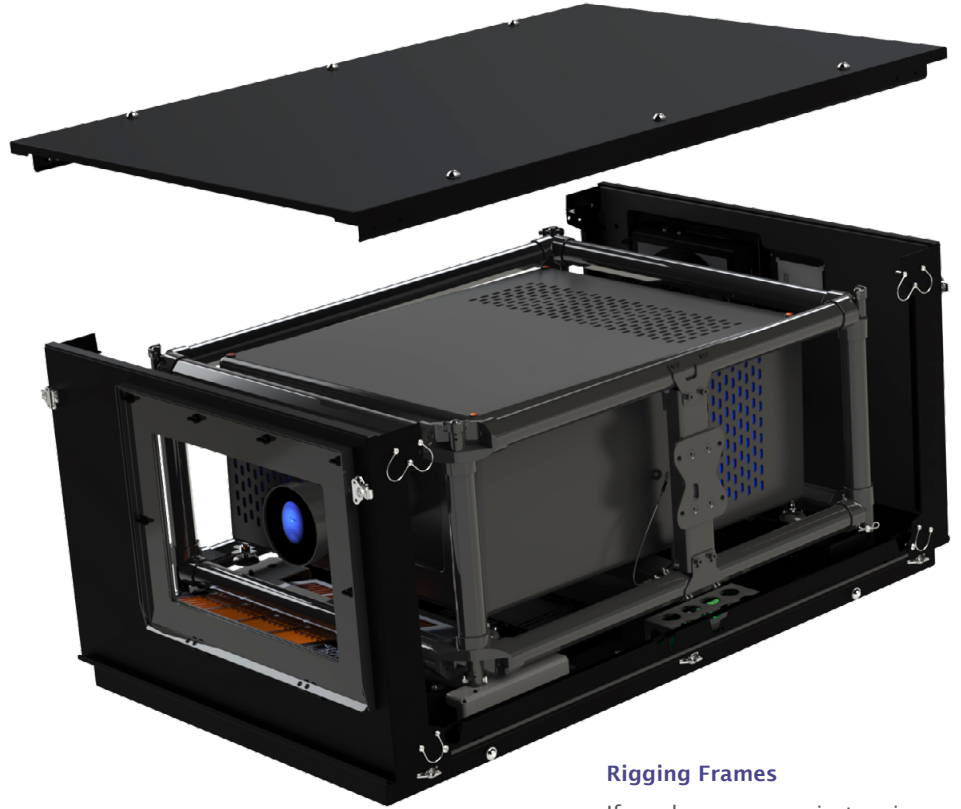
A deeper Lens Extender door assembly is available for extra-long lenses.

*Tempest optical-grade port glasses are tempered for strength, and AR-coated for close to 99% light transmission, with <2% reflection.*

# Fly

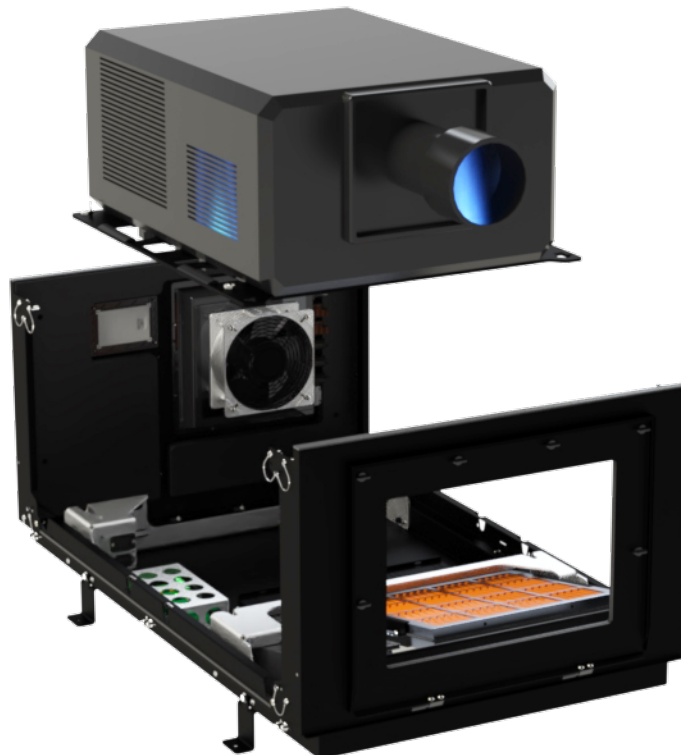
Rental & Staging  
Projector Enclosure  
System

## More Options



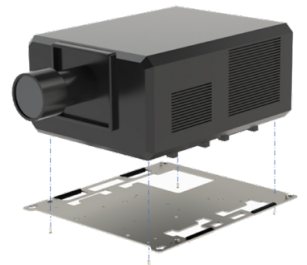
### Rigging Frames

If you keep your projectors in rigging frames, no problem! This Fly 50+ accepts the Barco UDX and UDM rigging frames - just drop them in and secure with four pins.



### Smaller Projectors?

Your Fly enclosures will be optimized for the largest projectors in your fleet - but what about the smaller ones? No problem - we'll make you a tray that adapts any of your smaller projectors to your Fly enclosures.



*This Fly 35 Tray comes with mounting holes for the Panasonic RQ35 pictured here, and many smaller projectors.*

*Need more? Just drill new mounting holes.*

# Fly

Rental & Staging  
Projector Enclosure  
System

Fly is not just an enclosure, it's a **SYSTEM**.

The Fly Tower is strong and incredibly light — it packs away in a compact format for shipping and storage, and two people can rig it in under five minutes with just a screw gun.

For large outdoor events, stack your Fly enclosures in the tower, landscape or portrait, cable and test them at ground level.

Set your desired enclosure angle — shooting up to 45° up or down, then crane them up to the top of a building in one go.

Fly saves you time, and money.

*This 54.FT3.50 Tower is ready to go, with three Fly 50 enclosures.*

## Fly Tower



*Fly Tower packs away small — and it weighs only 40kg (90lb).*



# Fly

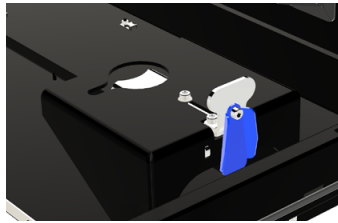
Rental & Staging  
Projector Enclosure  
System

Fly Special

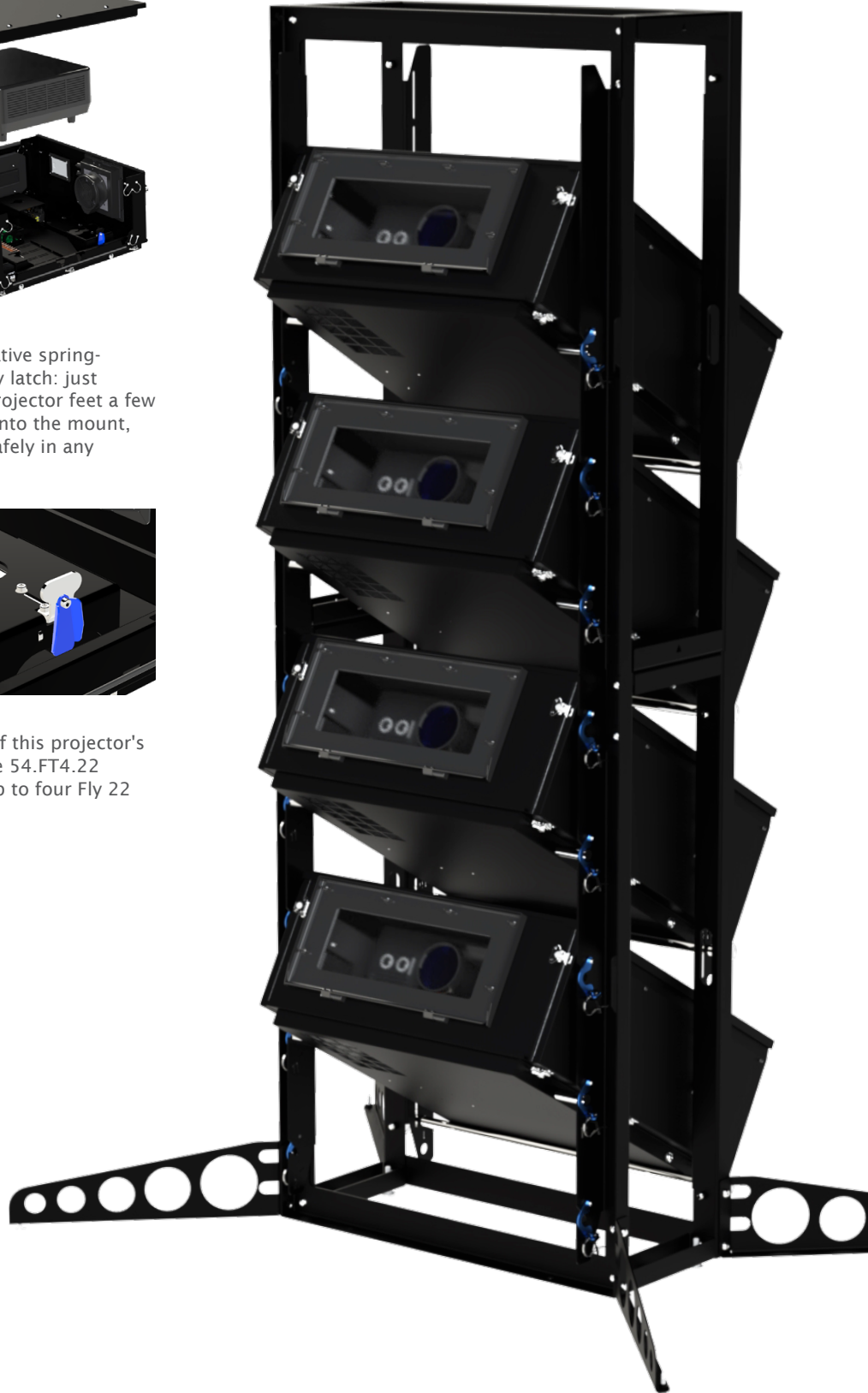
This Fly 22 enclosure is customized to fit the popular Epson PU22 series projectors. Note the wide port glass, allowing unobstructed use of the projector's camera accessory.



Fly 22's innovative spring-loaded security latch: just unscrew the projector feet a few turns, drop it into the mount, and it's held safely in any orientation.



And because of this projector's low profile, the 54.FT4.22 Tower takes up to four Fly 22 enclosures.



# Fly

Rental & Staging  
Projector Enclosure  
System



## More Fly Tower



*This Fly Tower is on its way to high places — three Fly 50 enclosures, portrait mode, with three Griffyn 50ks, prepped on the ground, ready to plug and play..*

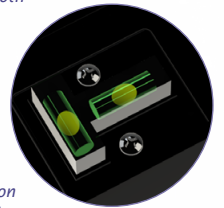
*Two Fly 50 enclosures in portrait mode shooting up from ground level.*



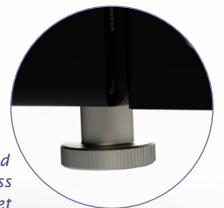
*Set the front level bar in the indexed location for the desired enclosure angle (approx. 4° increments)*



*Slide the enclosure into position and secure with the Fly safety lock on both sides*



*Check for level on the T-levels in the tower base.*



*Adjust as needed with the stainless steel leveling feet*



# Fly

Rental & Staging  
Projector Enclosure  
System



## Fly Custom — because we're all Different!

We get it. Your rental operation has its own way of doing things — projectors, distro, networking, or just the kind of work you do.

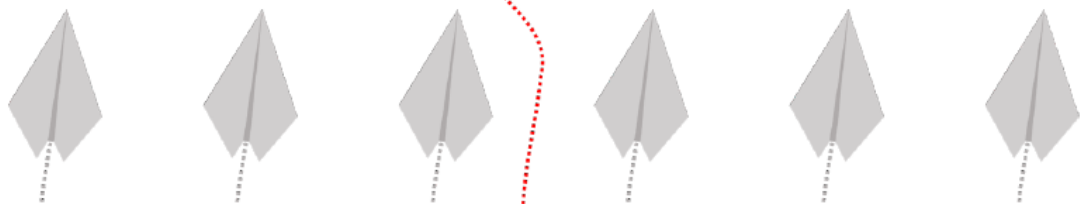
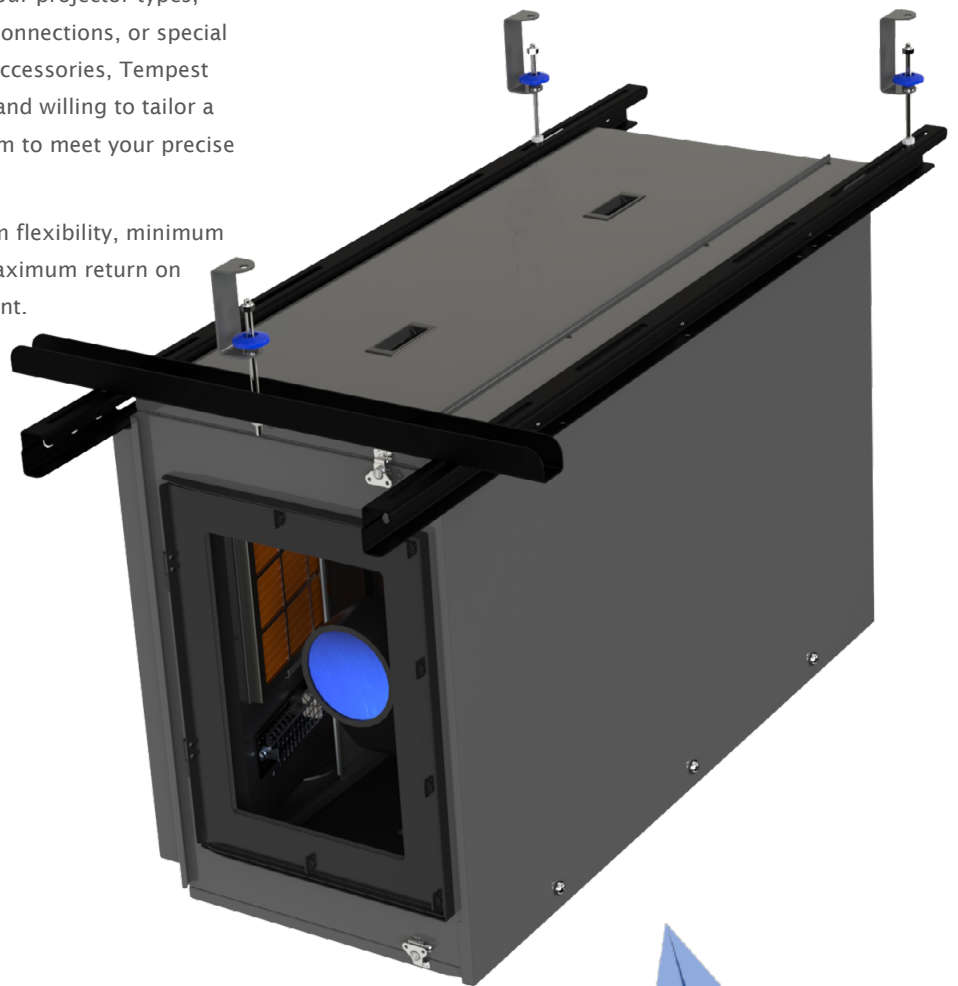
What that means is that you have your specific needs, and Tempest is here to fit our solutions to your operation.

Whether it's a hybrid model to suit all your projector types, custom connections, or special rigging accessories, Tempest is ready and willing to tailor a Fly system to meet your precise needs.

Maximum flexibility, minimum labor, maximum return on investment.

*Our friends at the San Diego Symphony needed to hang their Panasonic RQ35s outdoors off a circular truss for summer concerts.*

*This Fly 35, with a custom truss kit, was a perfect solution.*



# Fly

## Rental & Staging Projector Enclosure System



Tempest System Manager is a Windows app running on a local PC connected to your enclosures over a local area network.

TSM discovers any Tempest enclosures present on the network at initialization, and monitors system attributes in real time, including lamp, fan and heater status, temperature, relative humidity and more.

TSM may also be used to upload firmware updates to enclosure controllers over the network, without having to visit each enclosure.

The TSM license includes 12 months unlimited user support from Tempest electronics partner JESE, and continuing support is available for a modest annual fee.

## Remote Monitoring

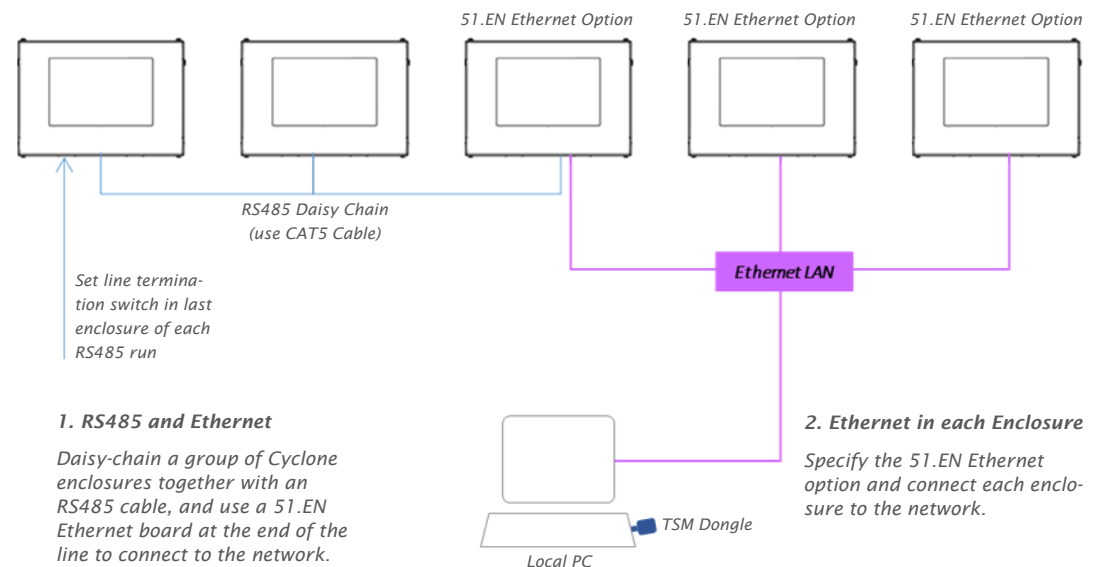
Index	Description	Label	Status	Voltage	Current	RH%	Temp °C	Htr %	Fan %
1	DEC4 Controller	Cyclone 310 Left 1	Lamp On	231V	12.2A	45.7%	23.4°C	0.0%	100.0%
2	DEC4 Controller	Cyclone 310 Left 2	Lamp on	231V	12.2A	46.0%	23.8°C	0.0%	100.0%
3	DEC4 Controller	Cyclone 310 Left 3	Override	231V	0.0A	49.4%	22.6°C	0.0%	0.0%
4	DEC4 Controller	Cyclone 310 Left 4	Tripped	231V	0.1A	1.2%	66.2°C	0.0%	100.0%
5	DEC4 Controller	Cyclone 310 Left 5	Lamp on	231V	12.2A	46.1%	23.4°C	0.0%	100.0%
6	DEC4 Controller	Cyclone 310 Left 6	Lamp on	231V	12.2A	46.3%	23.5°C	0.0%	100.0%
7	DEC4 Controller	Cyclone 310 Right 1	Lamp on	231V	12.2A	46.4%	23.8°C	0.0%	100.0%
8	DEC4 Controller	Cyclone 310 Right 2	Lamp on	231V	12.2A	46.3%	23.5°C	0.0%	100.0%
9	DEC4 Controller	Cyclone 310 Right 3	Lamp on	231V	12.2A	46.0%	23.2°C	0.0%	100.0%
10	DEC4 Controller	Cyclone 310 Right 4	Lamp on	231V	12.2A	46.1%	23.1°C	0.0%	100.0%
11	DEC4 Controller	Cyclone 310 Right 5	Lamp on	231V	12.2A	46.0%	23.7°C	0.0%	100.0%
12	DEC4 Controller	Cyclone 310 Right 6	Lamp on	231V	12.2A	46.2%	23.4°C	0.0%	100.0%
13	DEC4 Controller	ard 100 UST 1	Standby	231V	0.2A	51.3%	22.1°C	0.0%	0.0%
14	DEC4 Controller	ard 100 UST 2	Standby	231V	0.2A	51.8%	22.0°C	0.0%	0.0%
15	DEC4 Controller	ard 100 UST 3	Standby	231V	0.2A	51.4%	22.2°C	0.0%	0.0%
16	DEC4 Controller	ard 100 UST 4	Standby	231V	0.2A	51.3%	22.3°C	0.0%	0.0%
17	DEC4 Controller	ard 100 UST 5	Standby	231V	0.2A	51.3%	21.8°C	0.0%	0.0%
18	DEC4 Controller	ard 100 UST 6	Standby	231V	0.2A	51.6%	22.1°C	0.0%	0.0%
19	DEC4 Controller	ard 100 UST 7	Standby	231V	0.2A	51.5%	21.4°C	0.0%	0.0%
20	DEC4 Controller	Blizzard 100 UST 8	Standby	231V	0.2A	51.7%	22.2°C	0.0%	0.0%

### TSM Model Numbers

- 51.TSM.10 Up to 10 enclosures
- 51.TSM.25 Up to 25 enclosures
- 51.TSM.50 Over 25 enclosures

### Monitoring Connections

There are two ways to connect enclosures to the TSM PC:



Tempest publishes a simple protocol for use by integrators wishing to monitor enclosures over an existing control network.

Download the TEMP Developer Guide [here](#):



# Fly

Rental & Staging  
Projector Enclosure  
System



## Fly Models and Projector Guide

	Fly 22	Fly 25	Fly 35	Fly 50	FLY 50+
Barco UDM			•	•	•
Barco UDX				•	•
Barco F90		•	•	•	•
Barco F80		•	•	•	•
Christie Griffyn 4K50				•	•
Christie Griffyn 4K35				•	•
Christie M4K25		•	•	•	•
Christie HS Series		•	•	•	•
Epson L-30000				•	•
Epson EB-2022PU	•	•	•	•	•
Epson EB-1000PU	•	•	•	•	•
Panasonic PT-RQ50K					•
Panasonic PT-RQ35K			•	•	•
Panasonic PT-RQ25K	•	•	•	•	•
Panasonic PT-RQ21K	•	•	•	•	•

*This shows a small selection of popular projectors in the equipment rental space. Contact Tempest for projectors not shown here, and to discuss your present and likely future requirements.*

## Ordering Guide

54.F22	Fly 22 Enclosure
54.F25	Fly 25 Enclosure
54.F35	Fly 35 Enclosure
54.F50	Fly 50 Enclosure
54.F50+	Fly 50+ Enclosure
54.FFL	Set of Fly Feet - Landscape
54.FFT	Set of Fly Feet - Portrait
54.FLE	Fly Lens Extender Door
54.F25T	Truss Kit, F22, F25
54.F35T	Truss Kit, F35
54.F50T	Truss Kit, F50, F50+
51.PP	Positive Pressure Option
54.FT1.xxx	Fly Thermal Insulation Option (xxx = Fly model, eg: 54.FT1.35)
54.FT4.22	Fly Tower, for 4 Fly 22 enclosures
54.FT3.35	Fly Tower, for 3 Fly 25, 35 enclosures
54.FT3.50	Fly Tower, for 3 Fly 35, 50, 50+ enclosures
51.D4.15	Ethernet Comms (TEMP)
51.D4.23	Ethernet Comms (Tempest System Manager)
71.HS59F.172	Spare Soft Exhaust Cowl, Fly 22
71.HS59F.205	Spare Soft Exhaust Cowl, Fly 25-50+
51.HF.15	Spare Inlet Filter, Fly 35-50+
51.HF.23	Spare Inlet Filter, Fly 22, 25

*All Fly Enclosures are custom or semi-custom. Please consult factory for details.*

*All Schedule B Export Code: 9405.99.0000*

*All sales are subject to Tempest Lighting, Inc. Standard Terms and Conditions, available for download at [www.tempest.biz](http://www.tempest.biz).*



*CAD drawings and user manuals at [www.tempest.biz](http://www.tempest.biz)*

# Fly Configurator

Please complete this form and email to us at [info@tempest.biz](mailto:info@tempest.biz)

Name *		
Company *		
Email *		
Phone		
Projector & Lens Make/Model #	Projector: *	Lens: *
Fly Model *	54.F	Quantity
Destination Country *		
Required by (date) *		
Supply Voltage *		
<b>Options</b>		
FLY RIGGING FRAME	Qty	Type
Thermal Insulation	Qty	
Truss Kit	Qty	
Positive Pressure	Qty	
Set of Feet (landscape)	Qty	
Set of Feet (portrait)	Qty	
Lens Extender Kit	Qty	
Spare Exhaust Cowl	Qty	
Ethernet Comms	Qty	Type
Spare Inlet Filter	Qty	

Custom Requests:

Signal Feedthrough Connectors		
Connector Types (up to six Neutrik D-style feedthroughs) Type:	Position: (indicate type)	Text Label (8 characters Max)
A: Ethercon	1	1
B: OpticalCon	2	2
C: HDMI	3	3
D: Displayport	4	4
E: BNC	5	5
F: Blank	6	6
G: Other:		

Power Inlet Connectors		
North America/Japan: Enclosure/Projector (200-208V) Aux Feed (100-120V)	Fly 25/35 Neutrik PowerCON TRUE1 TOP (20A) IEC C14	Fly 50/50+ Neutrik PowerCON 32A (32A) IEC C14
International: Enclosure/Projector/Aux (230V)	Fly 25/35 Neutrik PowerCON TRUE1 TOP (16A)	Fly 50/50+ Neutrik PowerCon 32A (32A)
Custom Power Connector Requests:		

Factory Use Only:	SO #:	Date:
Electrical:	IEC      NEMA	Wiring p:
Test:	Function	Projector
Hardware Kit:		

