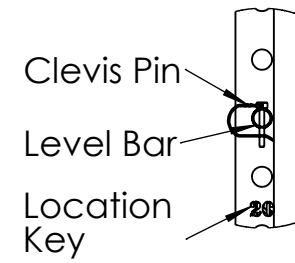
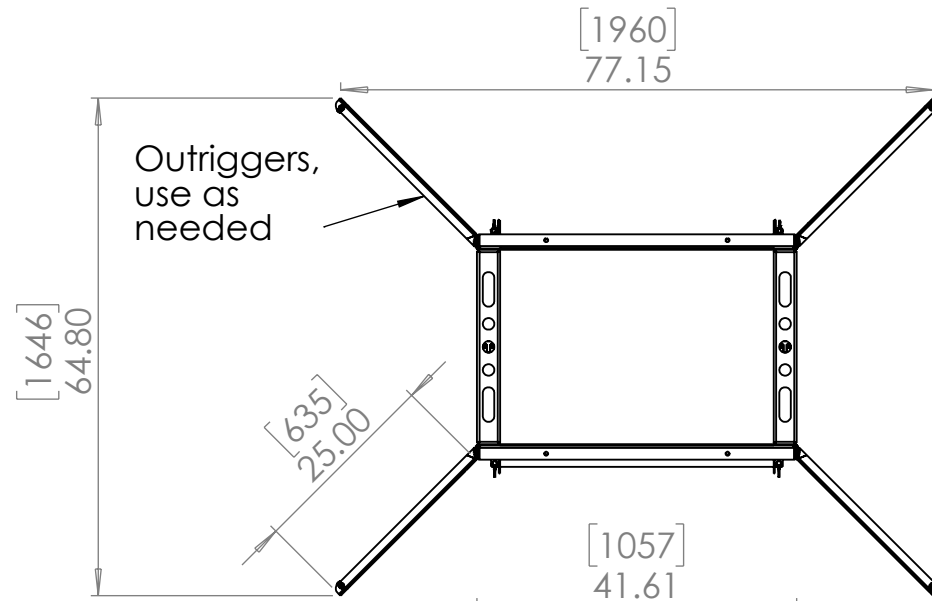
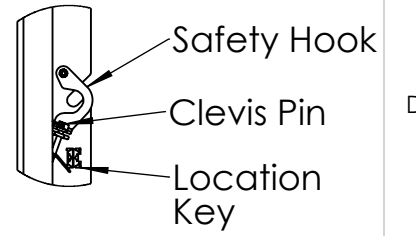


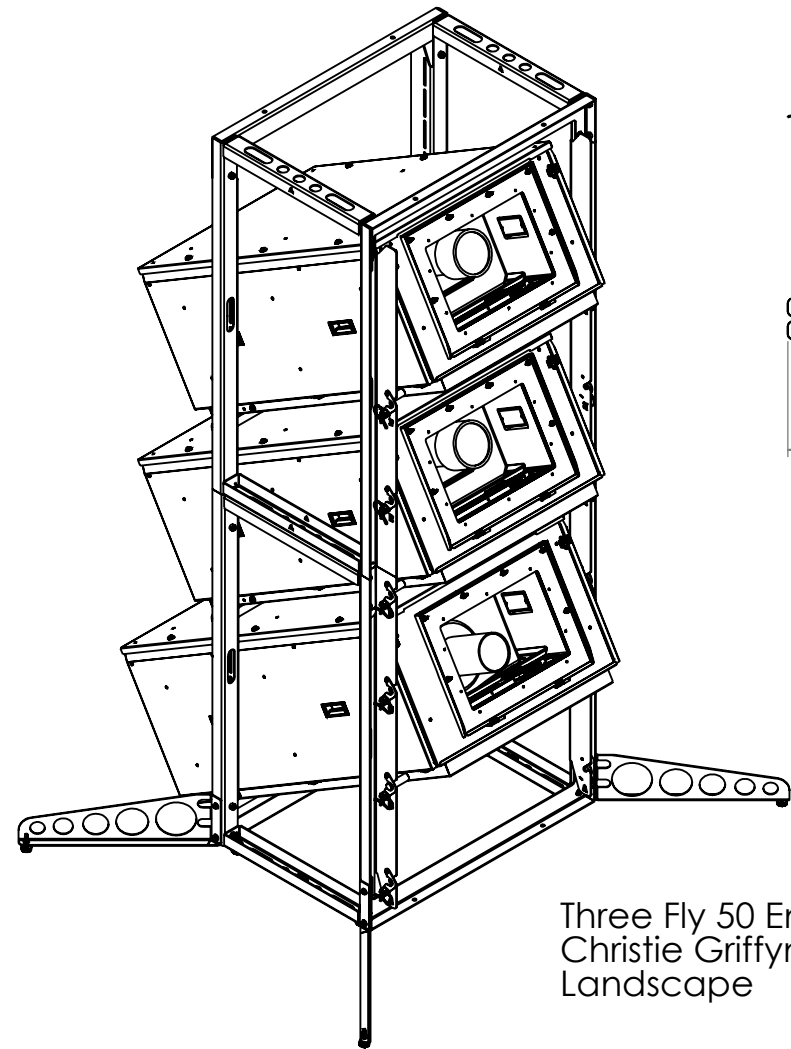
Fly Tower, Horizontal,  
Three Fly 35 Enclosures,  
Panasonic PT-RQ35,  
Portrait



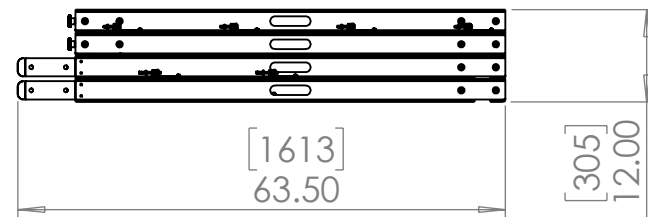
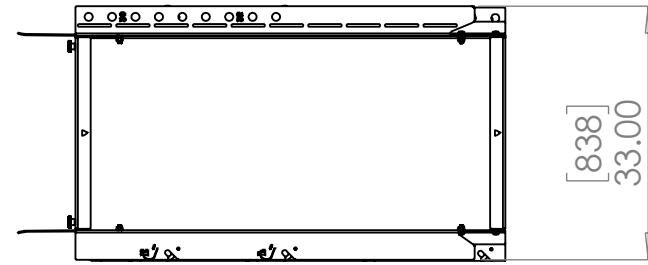
DETAIL C  
Level Bar



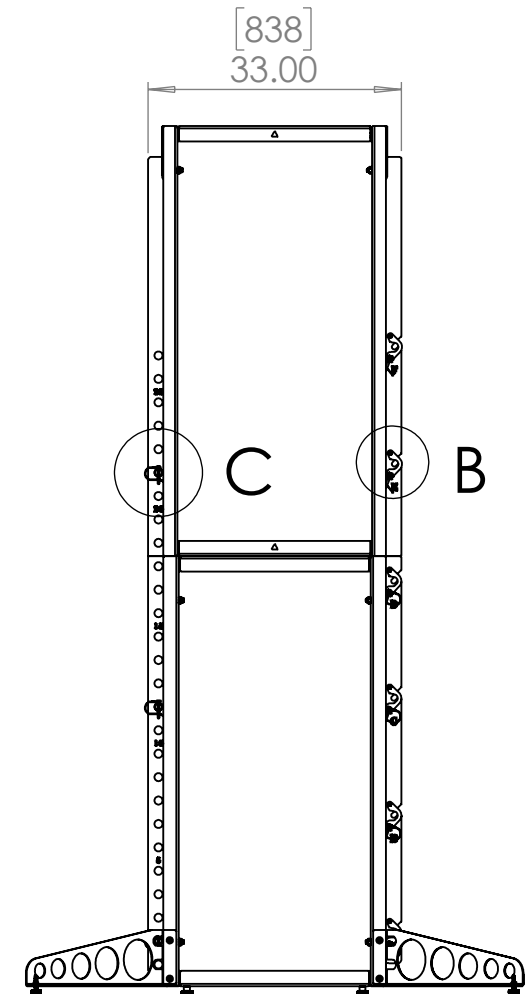
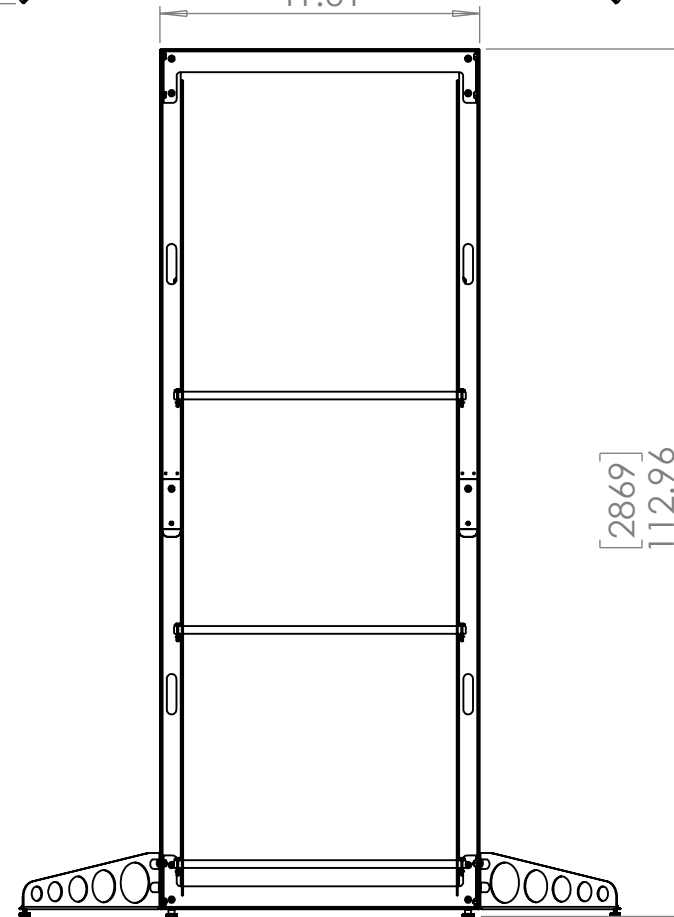
DETAIL B  
Safety Hook



Three Fly 50 Enclosures,  
Christie Griffyn 4K50,  
Landscape



Packed Volume  
(weight 35kg/77lb)



UNLESS OTHERWISE SPECIFIED:  
DIMENSIONS ARE IN INCHES  
TOLERANCES:  
FRACTIONAL ±  
ANGULAR: MACH ± BEND ±  
TWO PLACE DECIMAL ±  
THREE PLACE DECIMAL ±  
INTERPRET GEOMETRIC  
TOLERANCING PER:

MATERIAL  
.160 Alu 5052  
FINISH  
BK01

DO NOT SCALE DRAWING

	NAME	DATE
DRAWN	TB	1/16/2024
CHECKED		
ENG APPR.		
MFG APPR.		
Q.A.		
COMMENTS:		



TITLE:  
Fly Tower

SIZE	DWG. NO.	REV
<b>B</b>	54.FT3	02

SCALE: 1:50

SHEET 1 OF 1