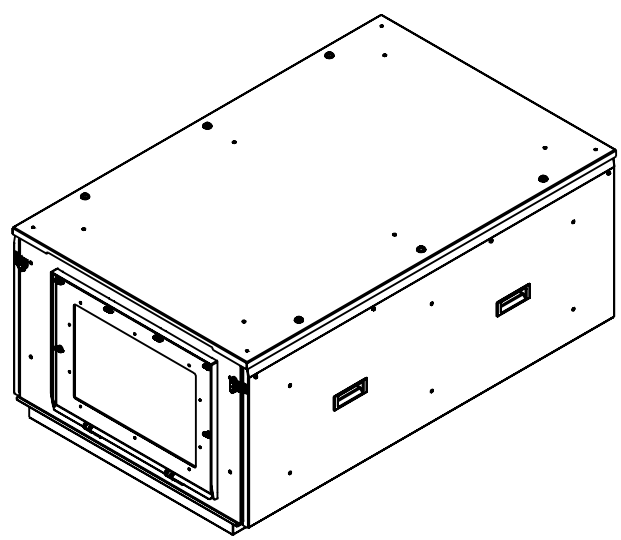
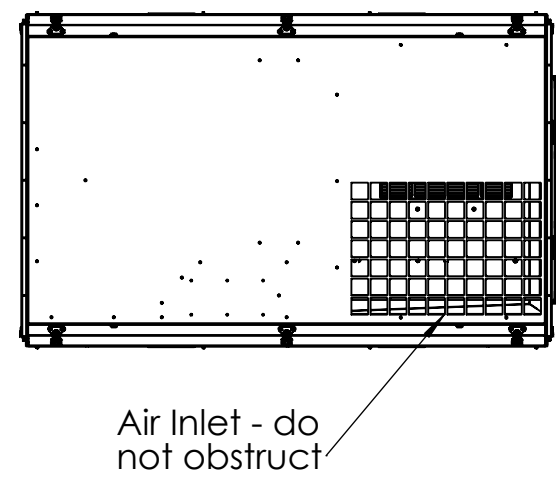
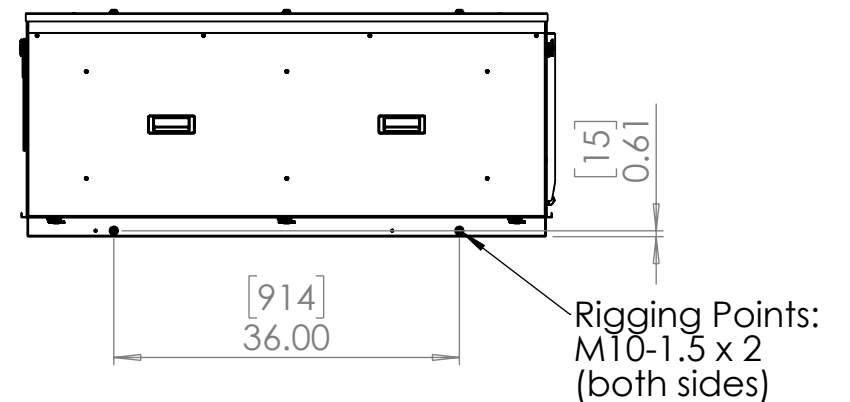
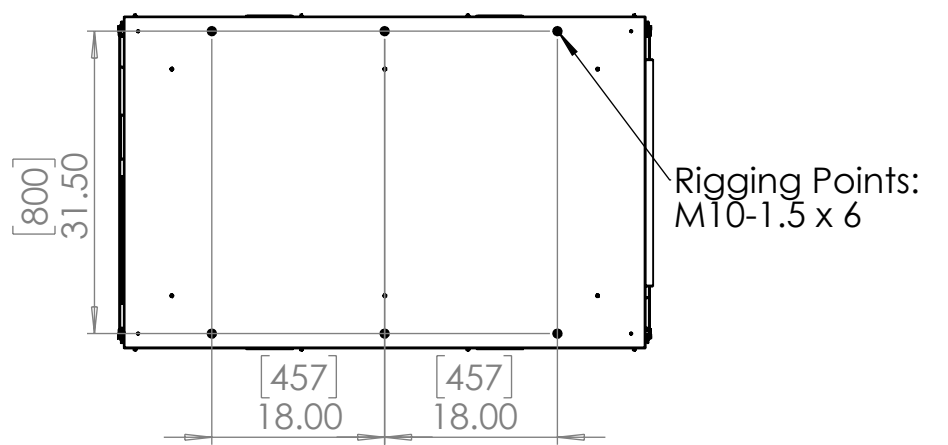
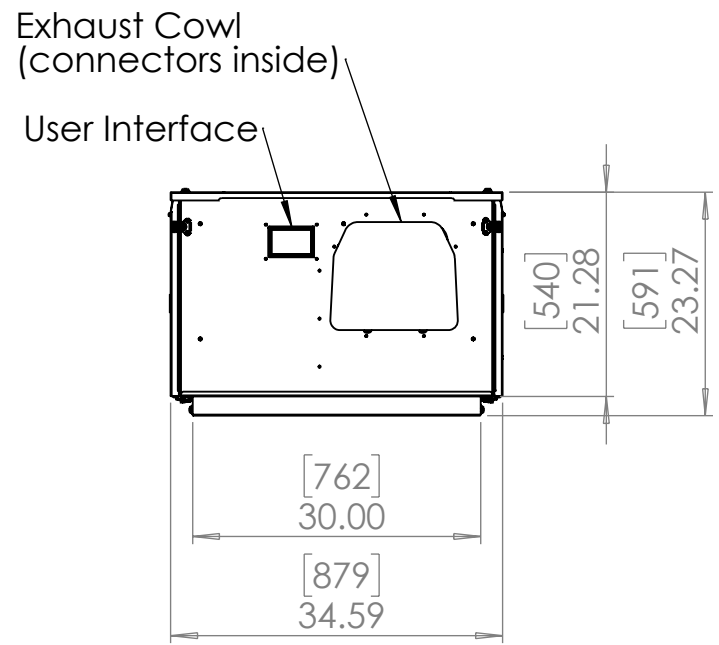
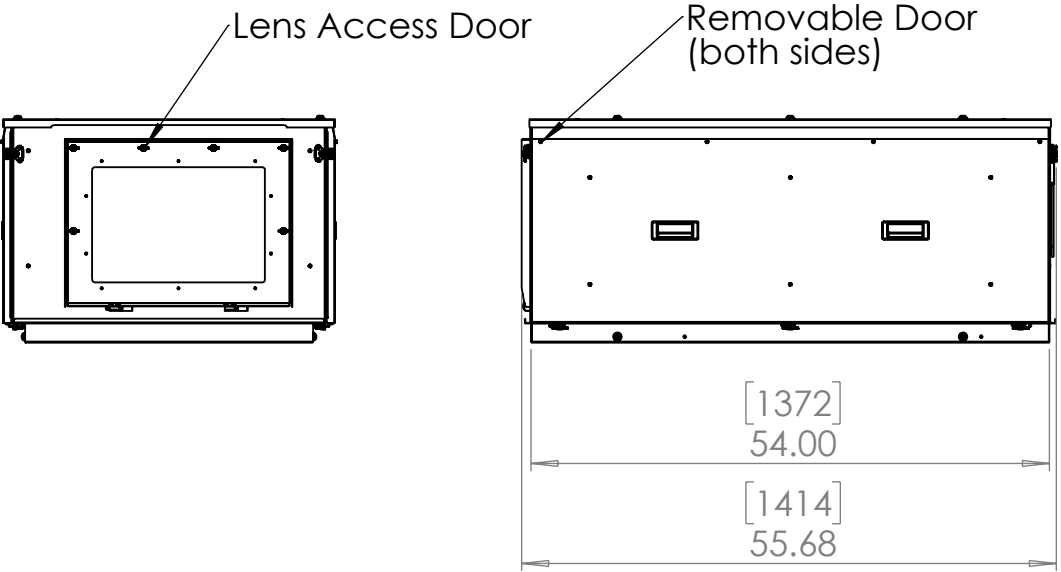


8 7 6 5 4 3 2 1

D
C
B
A

D
C
B
A



UNLESS OTHERWISE SPECIFIED:
 DIMENSIONS ARE IN INCHES
 TOLERANCES:
 FRACTIONAL: ±
 ANGULAR: MACH ± BEND ±
 TWO PLACE DECIMAL ±
 THREE PLACE DECIMAL ±
 INTERPRET GEOMETRIC TOLERANCING PER:
 MATERIAL
 FINISH BK01
 DO NOT SCALE DRAWING

| | | |
|-----------|------|-----------|
| | NAME | DATE |
| DRAWN | TB | 1/15/2024 |
| CHECKED | | |
| ENG APPR. | | |
| MFG APPR. | | |
| Q.A. | | |
| COMMENTS: | | |

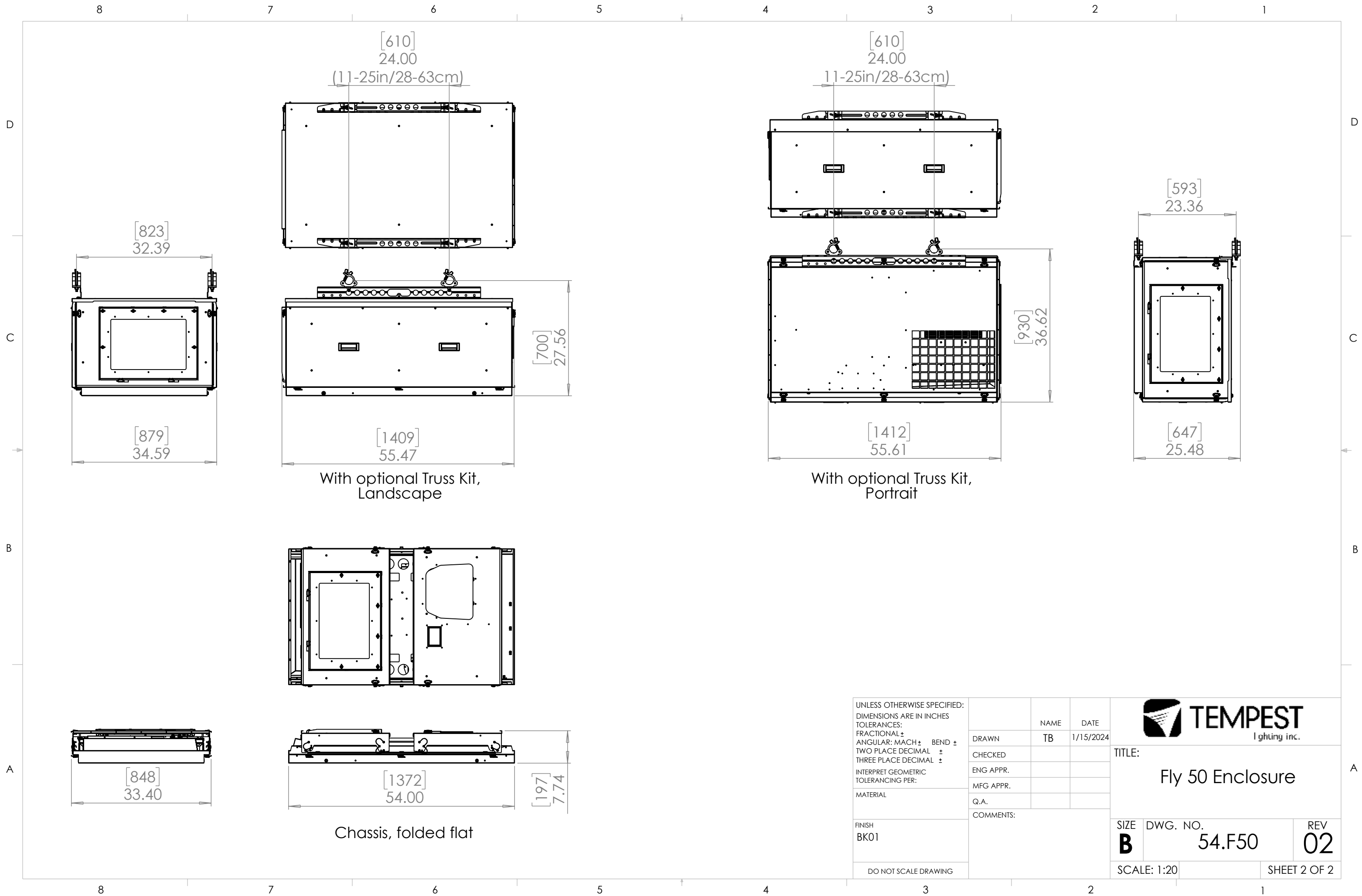
TEMPEST
lighting inc.

TITLE: Fly 50 Enclosure

| | | |
|----------|----------|-----|
| SIZE | DWG. NO. | REV |
| B | 54.F50 | 02 |

SCALE: 1:20 SHEET 1 OF 2

8 7 6 5 4 3 2 1



UNLESS OTHERWISE SPECIFIED:
 DIMENSIONS ARE IN INCHES
 TOLERANCES:
 FRACTIONAL ±
 ANGULAR: MACH ± BEND ±
 TWO PLACE DECIMAL ±
 THREE PLACE DECIMAL ±
 INTERPRET GEOMETRIC
 TOLERANCING PER:
 MATERIAL
 FINISH
 BK01
 DO NOT SCALE DRAWING

| | NAME | DATE |
|-----------|------|-----------|
| DRAWN | TB | 1/15/2024 |
| CHECKED | | |
| ENG APPR. | | |
| MFG APPR. | | |
| Q.A. | | |
| COMMENTS: | | |



| | | |
|----------------------------|--------------------|--------------|
| TITLE: Fly 50 Enclosure | | |
| SIZE B | DWG. NO. 54.F50 | REV 02 |
| SCALE: 1:20 | | SHEET 2 OF 2 |