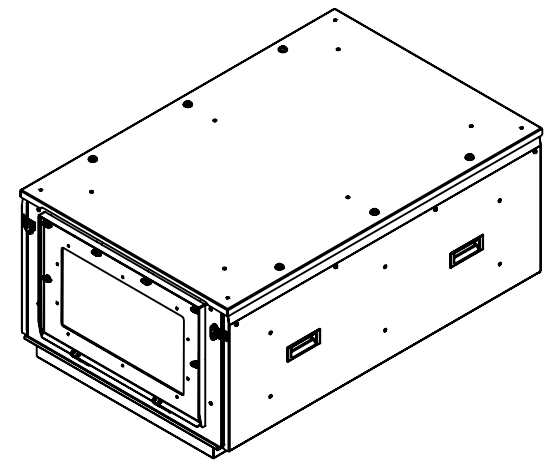
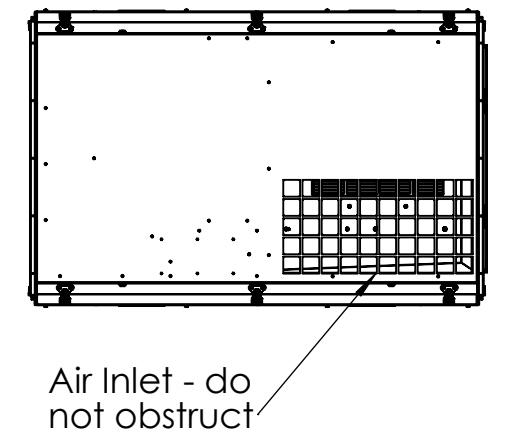
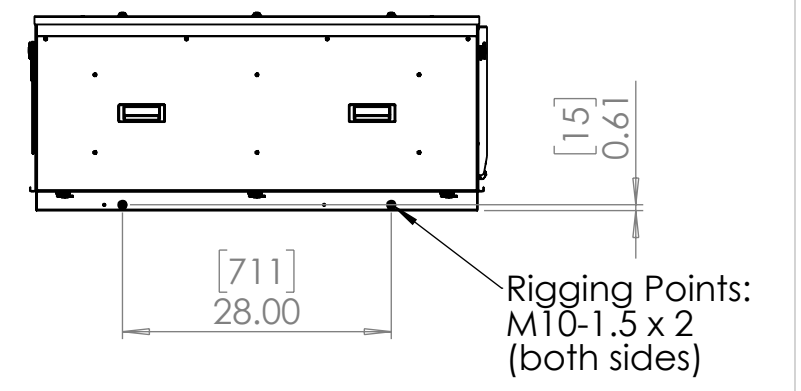
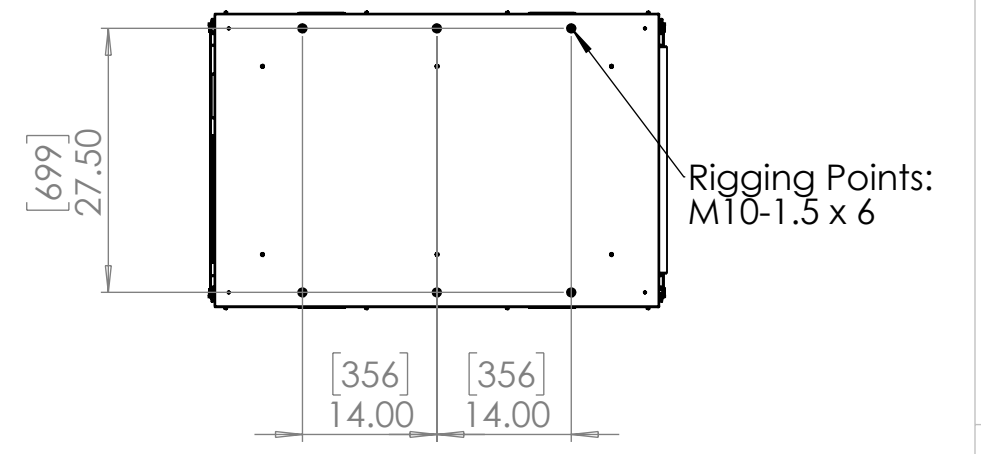
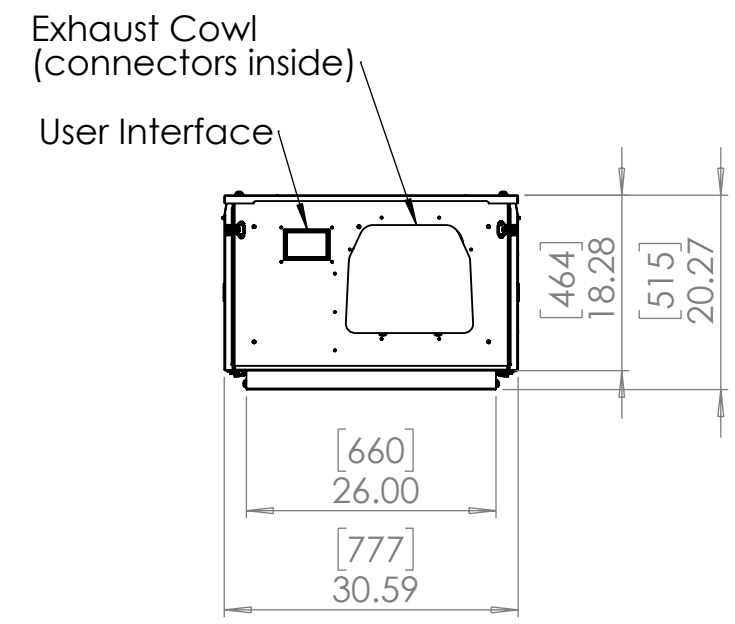
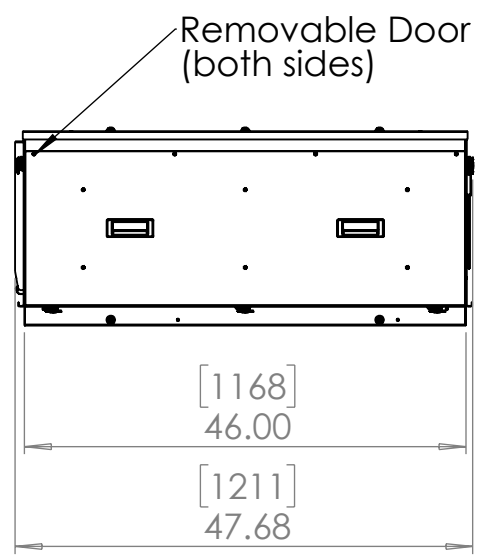
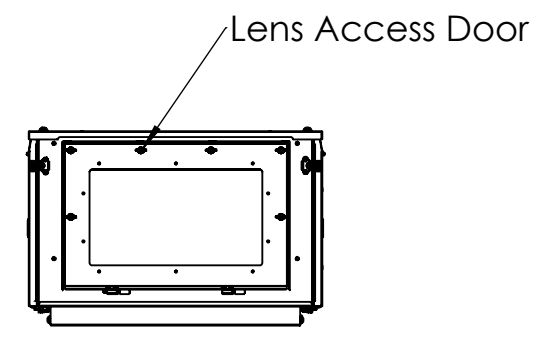


8 7 6 5 4 3 2 1

D  
C  
B  
A



UNLESS OTHERWISE SPECIFIED:  
DIMENSIONS ARE IN INCHES  
TOLERANCES:  
FRACTIONAL ±  
ANGULAR: MACH ± BEND ±  
TWO PLACE DECIMAL ±  
THREE PLACE DECIMAL ±  
INTERPRET GEOMETRIC TOLERANCING PER:  
MATERIAL  
FINISH  
BK01  
DO NOT SCALE DRAWING

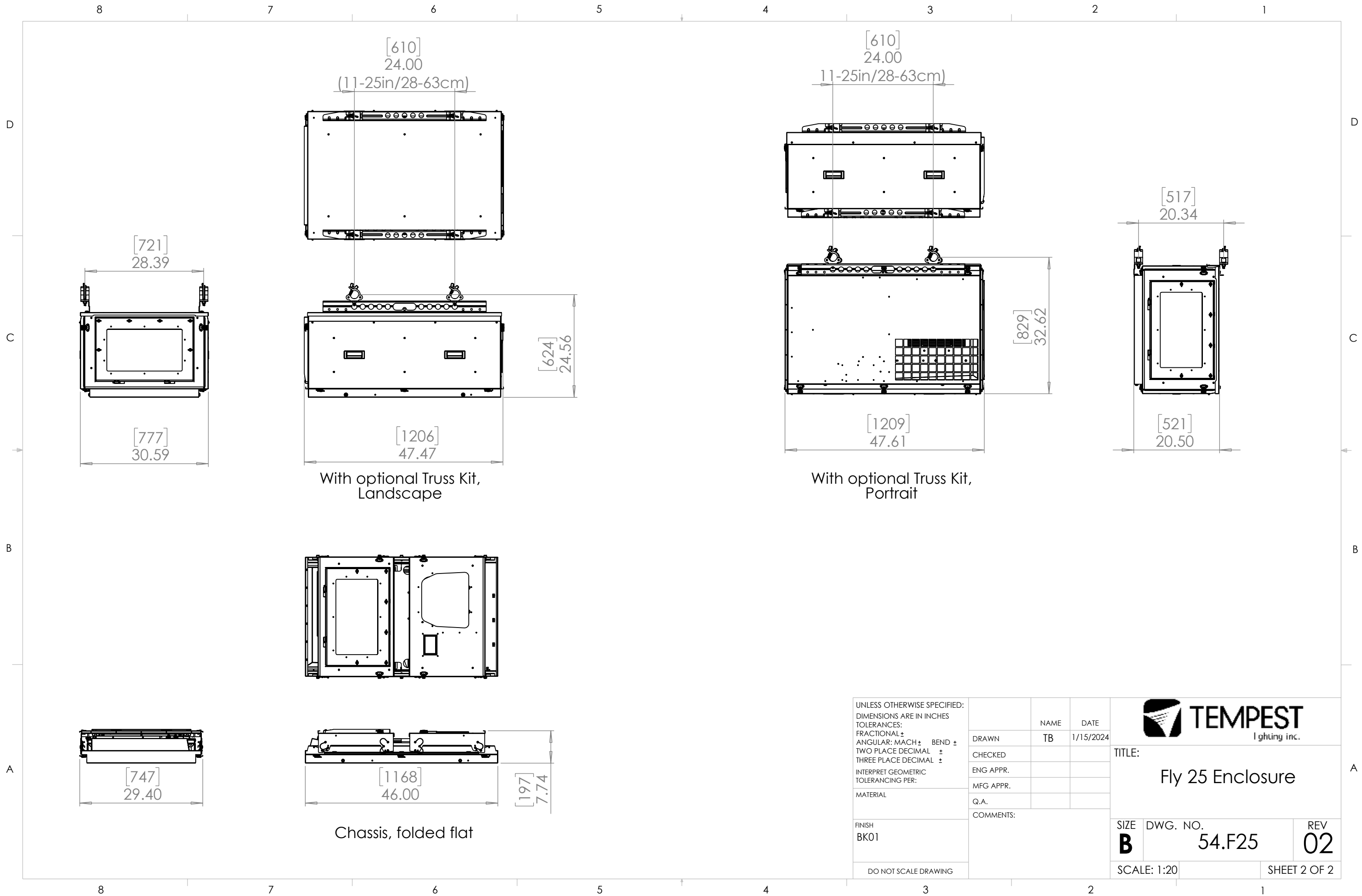
	NAME	DATE
DRAWN	TB	1/15/2024
CHECKED		
ENG APPR.		
MFG APPR.		
Q.A.		
COMMENTS:		

**TEMPEST**  
lighting inc.

TITLE:  
Fly 25 Enclosure

SIZE <b>B</b>	DWG. NO. 54.F25	REV 02
SCALE: 1:20		SHEET 1 OF 2

8 7 6 5 4 3 2 1



UNLESS OTHERWISE SPECIFIED:  
 DIMENSIONS ARE IN INCHES  
 TOLERANCES:  
 FRACTIONAL ±  
 ANGULAR: MACH ± BEND ±  
 TWO PLACE DECIMAL ±  
 THREE PLACE DECIMAL ±  
 INTERPRET GEOMETRIC  
 TOLERANCING PER:  
 MATERIAL  
 FINISH  
 BK01  
 DO NOT SCALE DRAWING

	NAME	DATE
DRAWN	TB	1/15/2024
CHECKED		
ENG APPR.		
MFG APPR.		
Q.A.		
COMMENTS:		



TITLE: Fly 25 Enclosure		
SIZE <b>B</b>	DWG. NO. 54.F25	REV 02
SCALE: 1:20		SHEET 2 OF 2