

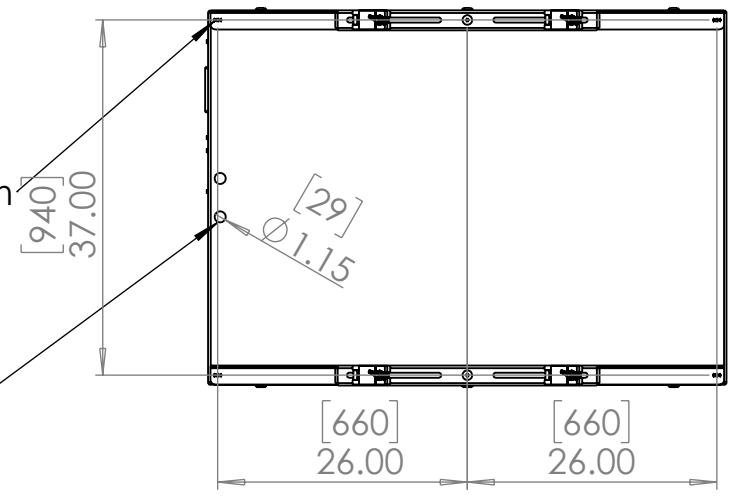
8 7 6 5 4 3 2 1

D

D

Rigging Points:
M12-1.75,
6 places, top
4 places bottom

Power & Signal
Conduit Entries

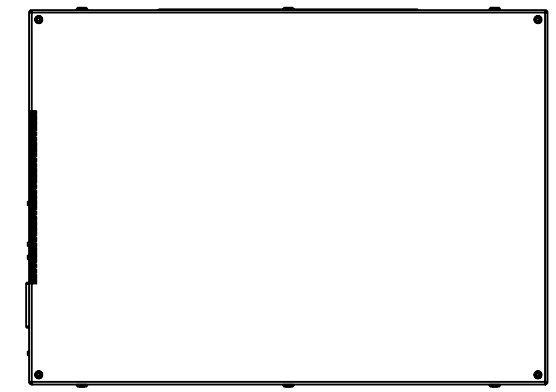
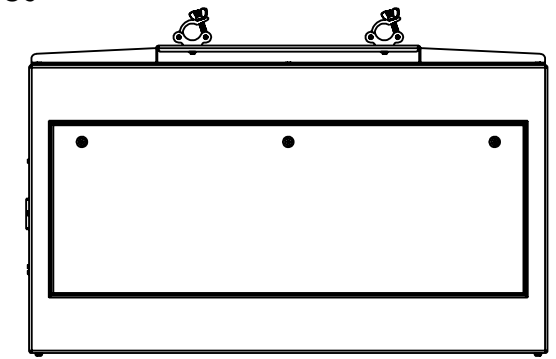
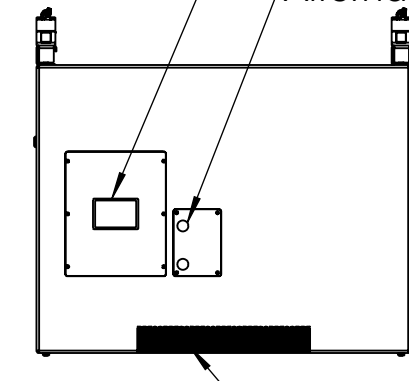
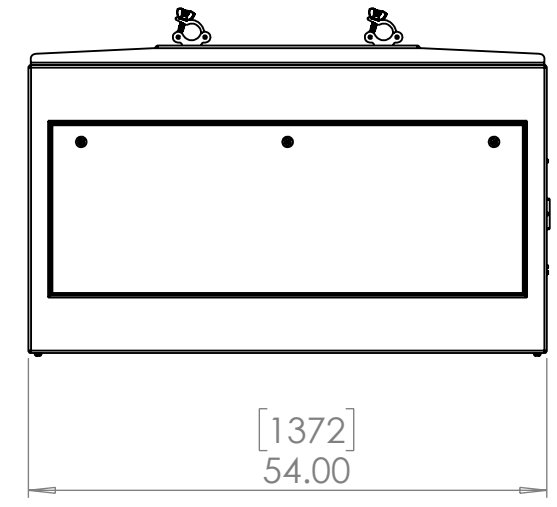
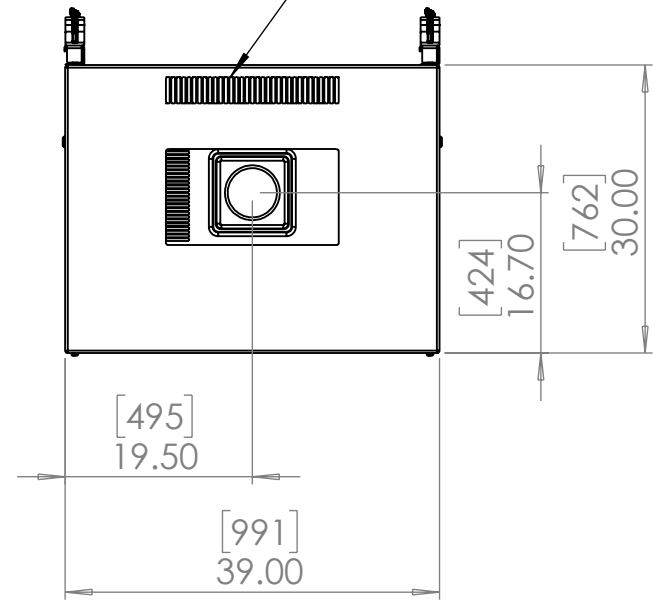


Exhaust - do
not obstruct

User Interface

Alternate Conduit Entries

Air Inlet - do
not obstruct



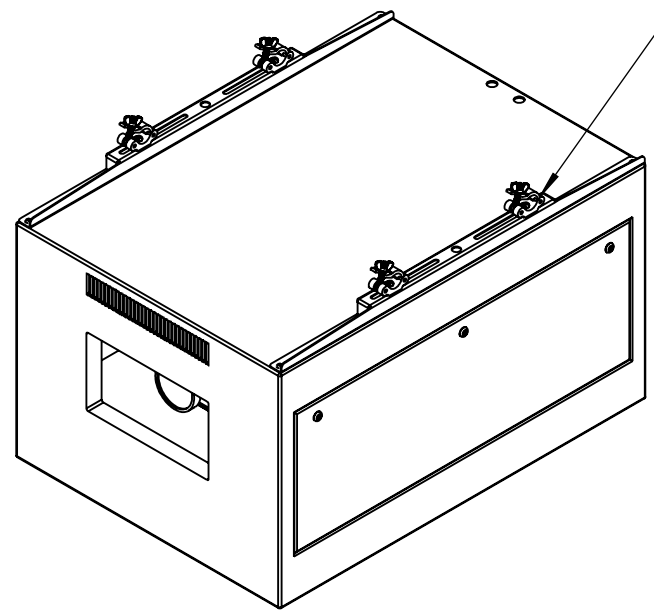
C

C

B

B

Optional Truss kit shown here.
Adjusts to trusses 12 - 24in (30-60cm) wide




A

A

UNLESS OTHERWISE SPECIFIED:
DIMENSIONS ARE IN INCHES
TOLERANCES:
FRACTIONAL ±
ANGULAR: MACH ± BEND ±
TWO PLACE DECIMAL ±
THREE PLACE DECIMAL ±
INTERPRET GEOMETRIC
TOLERANCING PER:
MATERIAL
FINISH
DO NOT SCALE DRAWING

	NAME	DATE
DRAWN	TB	12/28/2023
CHECKED		
ENG APPR.		
MFG APPR.		
Q.A.		
COMMENTS:		



TEMPEST
lighting inc.

TITLE:
Zen 250.L Enclosure

SIZE B	DWG. NO. 57.250.L	REV 12
SCALE: 1:20		SHEET 1 OF 1

8 7 6 5 4 3 2 1