



TEMPEST

**Fly**

**Rental & Staging  
Projector Enclosure  
System**



# Fly

Rental & Staging  
Projector Enclosure  
System

## Fly Folds... and Unfolds!

### It does *what?*

It's true — Fly folds into less than half its volume, for compact storage and shipping.

And Fly is LIGHT - less than 1/4 of the weight of a standard Tempest Typhoon rental enclosure.

Take a look...

*The Fly chassis folds flat, for super-compact shipping and storage*



*flip up the front and back, lock with captive stainless steel pins (no tools)*



*The Fly tray takes any projector up to the maximum for your Fly model, and snaps securely into the chassis (still no tools)*



*The Fly Cover pins into place in seconds (right, no tools)*



*The doors latch either side, without (you guessed it) tools...*



*Now, just add your favorite rigging accessories.*

*This one has simple feet.*

# Fly

Rental & Staging  
Projector Enclosure  
System

## Fly is Landscape...



*Fly 35, with Truss Hanger Kit - clamps securely to trusses up to 24in/62cm wide*

## ...and Portrait!



*Same enclosure, same truss hangers, flipped to portrait mode. It only takes a minute (but you do need a 6mm hex key!)*

### Flexible Fly

Fly is so easy to reconfigure. Landscape now, portrait later, and with any projector in your rental fleet, up to the maximum for your Fly model.

The projector bolts to Fly's projector tray, which locks in place securely for operation in any orientation.

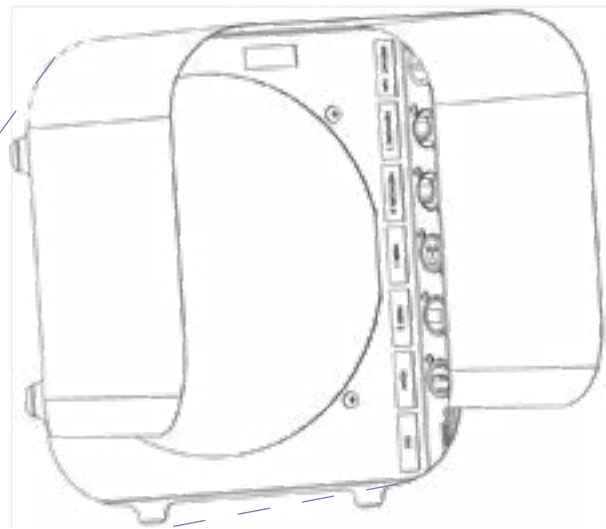


*This Fly 35 Tray comes with mounting holes for the Panasonic RQ35 pictured here, and many smaller projectors.*

*Need more? Just drill new mounting holes.*

*The lightweight nylon fan cowl inflates when the projector is running to protect the insect screen and connector panel against rain.*

*It's easily rotated 90° for portrait operation — no tools!*



*Power inlet is Neutrik PowerCon True1 TOP for Fly 25/35, Power Con 32A for Fly 50/50+.*

*Signal connections? Your choice of Neutrik D-Series connectors (DVI also available)*



*Tempest User Interface for enclosure setup and monitoring — may be remotely monitored over the projector control network.*

# Fly

Rental & Staging  
Projector Enclosure  
System

## Fly gives you Options

### Air Quality — Standard

Fly comes as standard with Tempest's well-proven MERV11 filter, for dust and mild salt air, cracked oil, or other airborne pollutants.

### Air Quality — Extreme

Now, Tempest offers a medical-grade True HEPA filter with active carbon pre-filter, for the ultimate in projector air quality. The HEPA option requires a more powerful centrifugal fan, which adds slightly to the enclosure weight and cost. Use it in areas of high salinity or with high concentrations of other pollutants.

### Positive Pressure Option

In either case, the Fly Positive Pressure option keeps air flowing through the enclosure at low speed when the projector is in standby mode, preventing pollutants from entering through the exhaust insect screen.

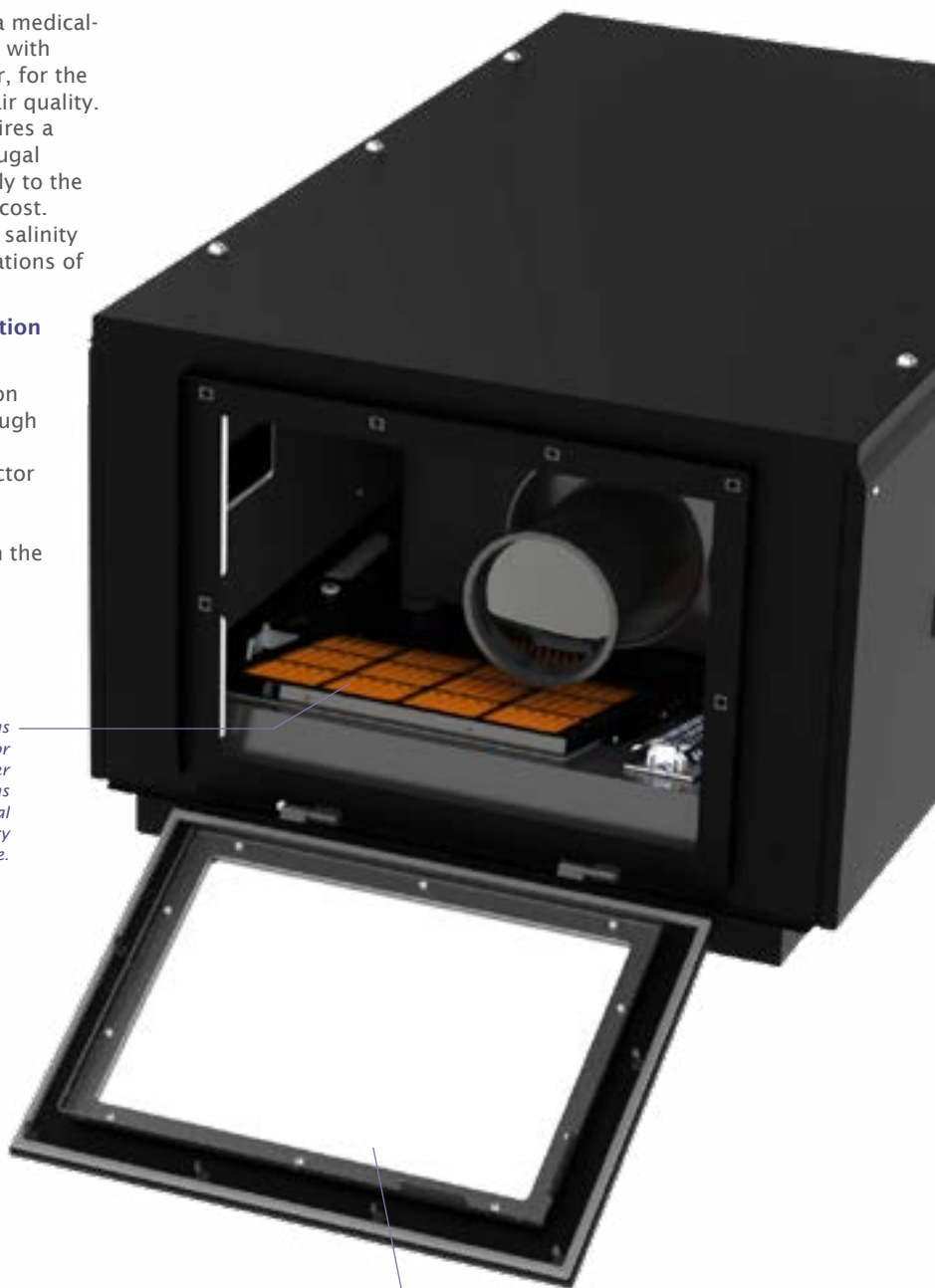
*Tempest filters are as large as they can be, for better airflow at lower air velocity. That means more efficient removal of impurities and very long filter life.*

### Quick and easy Lens Changes

Fly's AR-coated port glass door opens without tools, allowing quick and easy lens changing, even at the top of a ladder!

### Long Lenses?

A deeper Lens Extender door assembly is available for extra-long lenses.



*Tempest optical-grade port glasses are tempered for strength, and AR-coated for close to 99% light transmission, with <2% reflection.*



# Fly

Rental & Staging  
Projector Enclosure  
System

Fly is not just an enclosure, it's a **SYSTEM**.

The Fly Rigging Frame is strong and incredibly light — one person can carry it, and two can rig it in under five minutes with just a screw gun.

For large outdoor events, stack three Fly enclosures, landscape or portrait, cable and test them at ground level.

Set your desired enclosure angle - shooting up to 45° up or down, then crane them up to the top of a building in one go.

Fly saves you time, and money.

## Fly Rigging Frame



*Fly Rigging Frame packs away small — and it weighs in at 35kg (77lb).*



# Fly

Rental & Staging  
Projector Enclosure  
System



## More Rigging Frame



*This Fly Rigging Frame is on its way to high places — three Fly 50 enclosures, portrait mode, with three Griffyn 50ks, prepped on the ground, ready to plug and play..*

*Two Fly 50 enclosures in portrait mode shooting up from ground level.*



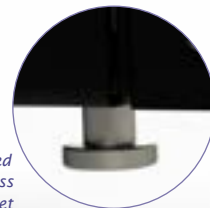
*Set the front level bar in the indexed location for the desired enclosure angle (approx. 4° increments)*



*Slide the enclosure into position and secure with the Fly safety lock on both sides*



*Check for level on the T-levels in the frame base.*



*Adjust as needed with the stainless steel leveling feet*

# Fly

## Rental & Staging Projector Enclosure System

## Remote Monitoring

Tempest System Manager is a Windows app running on a local PC connected to your enclosures over a local area network.

TSM discovers any Tempest enclosures present on the network at initialization, and monitors system attributes in real time, including lamp, fan and heater status, temperature, relative humidity and more.

TSM may also be used to upload firmware updates to enclosure controllers over the network, without having to visit each enclosure.

The TSM license includes 12 months unlimited user support from Tempest electronics partner JESE, and continuing support is available for a modest annual fee.

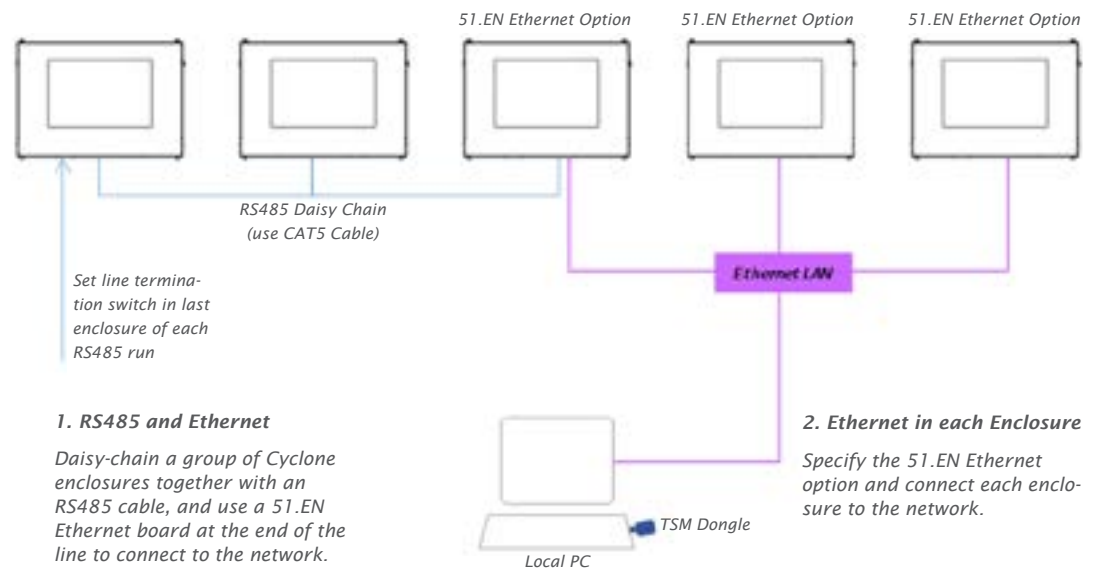
Index	Description	Label	Status	Voltage	Current	RMS	Temp °C	HR %	Fan %
1	Di/C4 Controller	Cyclone 310 Left 1	Lamp On	23.0V	0.21A	46.7%	23.4°C	0.0%	100.0%
2	Di/C4 Controller	Cyclone 310 Left 2	Lamp on	23.0V	0.21A	46.0%	23.8°C	0.0%	100.0%
3	Di/C4 Controller	Cyclone 310 Left 3	Overdrive	23.0V	0.0A	49.4%	23.6°C	0.0%	0.0%
4	Di/C4 Controller	Cyclone 310 Left 4	Tripped	23.0V	0.0A	1.2%	66.2°C	0.0%	100.0%
5	Di/C4 Controller	Cyclone 310 Left 5	Lamp on	23.0V	0.21A	46.0%	23.4°C	0.0%	100.0%
6	Di/C4 Controller	Cyclone 310 Left 6	Lamp on	23.0V	0.21A	46.3%	23.5°C	0.0%	100.0%
7	Di/C4 Controller	Cyclone 310 Right 1	Lamp on	23.0V	0.21A	46.4%	23.6°C	0.0%	100.0%
8	Di/C4 Controller	Cyclone 310 Right 2	Lamp on	23.0V	0.21A	46.3%	23.5°C	0.0%	100.0%
9	Di/C4 Controller	Cyclone 310 Right 3	Lamp on	23.0V	0.21A	46.0%	23.2°C	0.0%	100.0%
10	Di/C4 Controller	Cyclone 310 Right 4	Lamp on	23.0V	0.21A	46.0%	23.1°C	0.0%	100.0%
11	Di/C4 Controller	Cyclone 310 Right 5	Lamp on	23.0V	0.21A	46.0%	23.1°C	0.0%	100.0%
12	Di/C4 Controller	Cyclone 310 Right 6	Lamp on	23.0V	0.21A	46.2%	23.4°C	0.0%	100.0%
13	Di/C4 Controller	and 300 LST 1	Standby	23.0V	0.2A	51.3%	22.1°C	0.0%	0.0%
14	Di/C4 Controller	and 300 LST 2	Standby	23.0V	0.2A	50.8%	22.0°C	0.0%	0.0%
15	Di/C4 Controller	and 300 LST 3	Standby	23.0V	0.2A	51.4%	22.1°C	0.0%	0.0%
16	Di/C4 Controller	and 300 LST 4	Standby	23.0V	0.2A	50.8%	22.1°C	0.0%	0.0%
17	Di/C4 Controller	and 300 LST 5	Standby	23.0V	0.2A	51.3%	22.1°C	0.0%	0.0%
18	Di/C4 Controller	and 300 LST 6	Standby	23.0V	0.2A	50.0%	22.1°C	0.0%	0.0%
19	Di/C4 Controller	and 300 LST 7	Standby	23.0V	0.2A	51.5%	22.1°C	0.0%	0.0%
20	Di/C4 Controller	Blizzard 300 LST 8	Standby	23.0V	0.2A	52.7%	22.2°C	0.0%	0.0%

### TSM Model Numbers

- 51.TSM.10 Up to 10 enclosures
- 51.TSM.25 Up to 25 enclosures
- 51.TSM.50 Over 25 enclosures

### Monitoring Connections

There are two ways to connect enclosures to the TSM PC:



Tempest publishes a simple protocol for use by integrators wishing to monitor enclosures over an existing control network.

Download the TEMP Developer Guide [here](#):



# Fly

Rental & Staging  
Projector Enclosure  
System



## Fly Models and Projector Guide

	Fly 25	Fly 35	Fly 50	FLY 50+
Barco UDX			●	●
Barco UDM		●	●	●
Barco F90	●	●	●	●
Barco F80	●	●	●	●
Christie Griffyn 4K50			●	●
Christie Griffyn 4K35			●	●
Christie M4K25	●	●	●	●
Christie HS Series	●	●	●	●
Epson L-30000			●	●
Epson EB-2022PU	●	●	●	●
Epson EB-1000PU	●	●	●	●
Panasonic PT-RQ50K				●
Panasonic PT-RQ35K		●	●	●
Panasonic PT-RQ25K	●	●	●	●
Panasonic PT-RQ21K	●	●	●	●

*This shows a small selection of popular projectors in the equipment rental space. Contact Tempest for projectors not shown here, and to discuss your present and likely future requirements.*

## Ordering Guide

54.F25	Fly 25 Enclosure, standard filter
54.F25H	Fly 25 Enclosure, HEPA Filter, Carbon Prefilter
54.F35	Fly 35 Enclosure, standard filter
54.F35H	Fly 35 Enclosure, HEPA Filter, Carbon Prefilter
54.F50	Fly 50 Enclosure, standard filter
54.F50H	Fly 50 Enclosure, HEPA Filter, Carbon Prefilter
54.F50+	Fly 50+ Enclosure, standard filter
54.F50+H	Fly 50+ Enclosure, HEPA Filter, Carbon Prefilter
54.FFL	Set of Fly Feet - Landscape
54.FLE	Fly Lens Extender Door
54.FFT	Set of Fly Feet - Portrait
54.F25T	Truss Kit, F25
54.F35T	Truss Kit, F35
54.F50T	Truss Kit, F50, F50+
51.PP	Positive Pressure Option
54.FTI	Fly Thermal Insulation Option
54.FRF	Fly Rigging Frame

*All Fly Enclosures are custom or semi-custom. Please consult factory for details.*

*All Schedule B Export Code: 9405.99.0000*

*All sales are subject to Tempest Lighting, Inc. Standard Terms and Conditions, available for download at [www.tempest.biz](http://www.tempest.biz).*



*CAD drawings and user manuals at [www.tempest.biz](http://www.tempest.biz)*



# Fly Configurator

Please complete this form and email to us at [info@tempest.biz](mailto:info@tempest.biz)

Name *		
Company *		
Email *		
Phone		
Projector & Lens Make/Model #	Projector: *	Lens: *
Fly Model *	54.F	Quantity
Destination Country *		
Required by (date) *		
Supply Voltage *		
<b>Options</b>		
FLY RIGGING FRAME	Qty	No
Thermal Insulation	Qty	No
Truss Kit	Qty	No
Positive Pressure	Qty	No
Set of Feet (landscape)	Qty	No
Set of Feet (portrait)	Qty	No
Lens Extender Kit	Qty	No
Spare Exhaust Cowl	Qty	No
Ethernet Comms	Qty	Type <span style="float: right;">No</span>
Spare Inlet Filter	Qty	No

Custom Requests:

Signal Feedthrough Connectors		
Connector Types (up to six Neutrik D-style feedthroughs) Type:	Position: (indicate type)	Text Label (8 characters Max)
A: Ethercon	1	1
B: OpticalCon	2	2
C: HDMI	3	3
D: Displayport	4	4
E: BNC	5	5
F: Blank	6	6
G: Other:		

Power Inlet Connectors		
North America/Japan: Enclosure/Projector (200-208V) Aux Feed (100-120V)	Fly 25/35 Neutrik PowerCON TRUE1 TOP (20A) IEC C14	Fly 50/50+ Neutrik PowerCON 32A (32A) IEC C14
International: Enclosure/Projector/Aux (230V)	Fly 25/35 Neutrik PowerCON TRUE1 TOP (16A)	Fly 50/50+ Neutrik PowerCon 32A (32A)
Custom Power Connector Requests:		

Factory Use Only:	SO #:	Date:
Electrical:	IEC      NEMA	Wiring p:
Test:	Function	Projector
Hardware Kit:		

