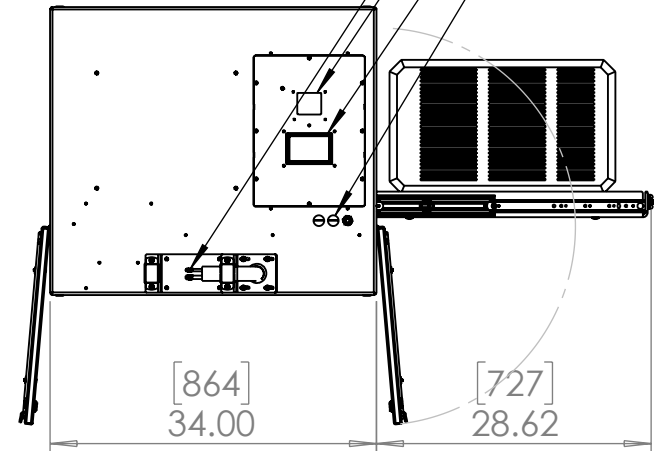
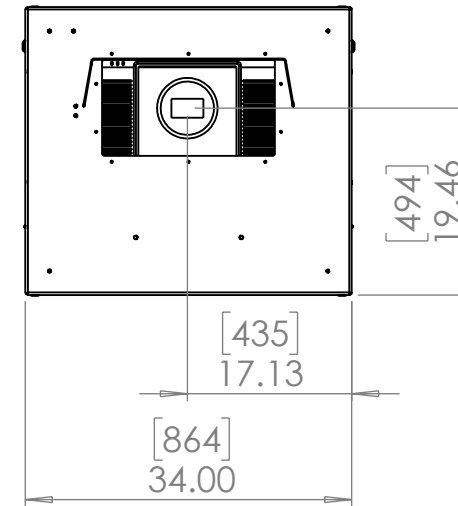
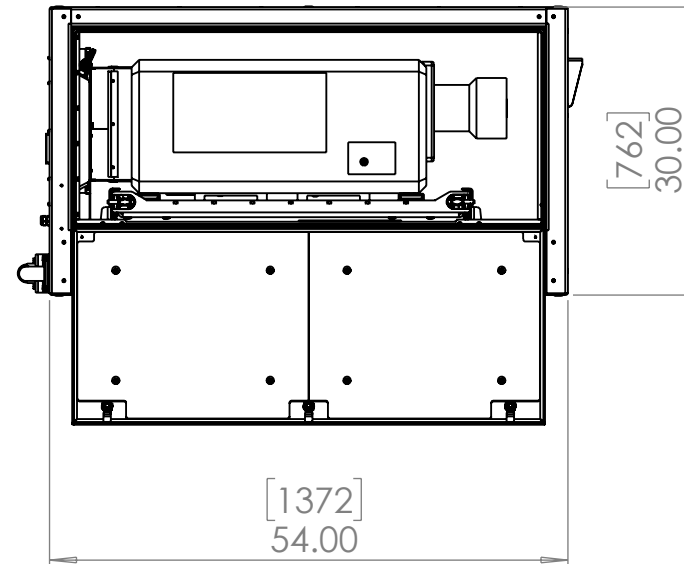


For Outdoor Unit see drawing 59.ODU.12

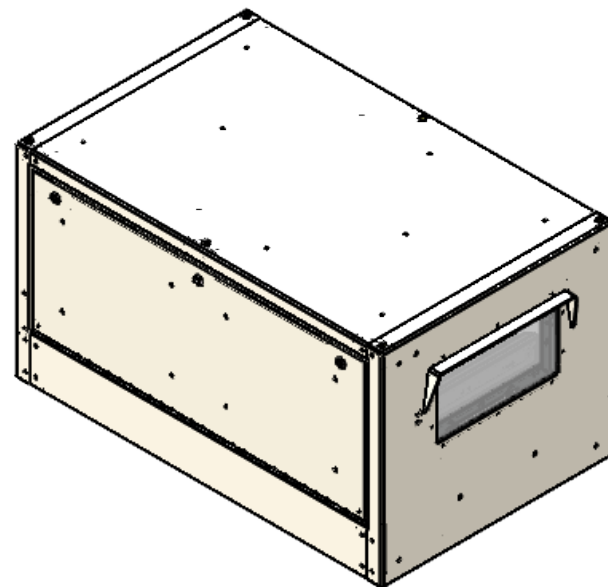
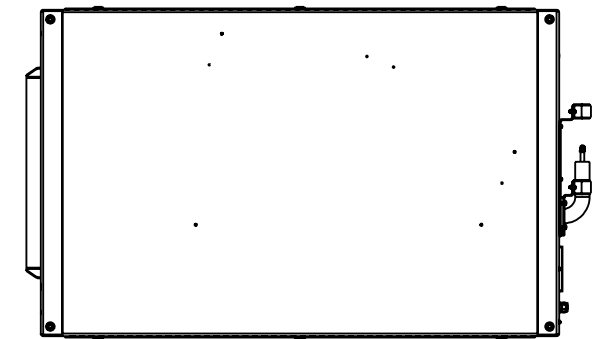
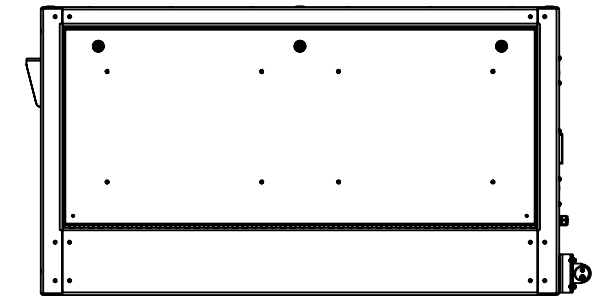
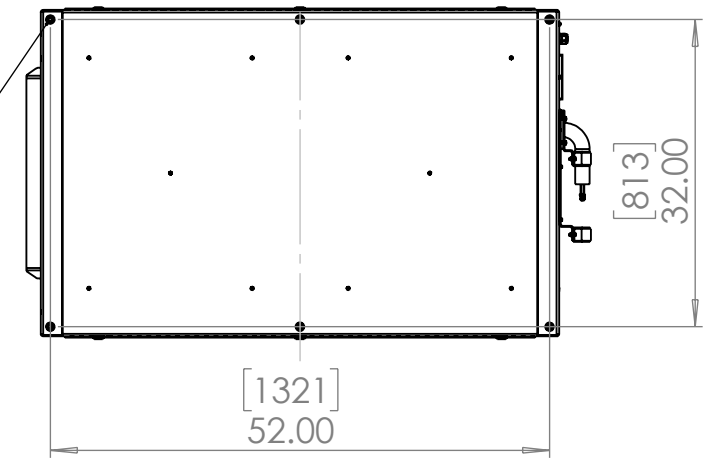
Line Set Connections
 Set Point Display
 User Interface
 Power & Signal Conduit Entries



Right slide shown here
 (recommended). Left
 slide available on
 request.



Rigging Points:
 M12-1.75,
 6 places top,
 4 places bottom



UNLESS OTHERWISE SPECIFIED:
 DIMENSIONS ARE IN INCHES
 TOLERANCES:
 FRACTIONAL ±
 ANGULAR: MACH ± BEND ±
 TWO PLACE DECIMAL ±
 THREE PLACE DECIMAL ±
 INTERPRET GEOMETRIC
 TOLERANCING PER:
 MATERIAL
 Aluminum & SS
 FINISH
 Powder Coat
 DO NOT SCALE DRAWING

	NAME	DATE
DRAWN	TB	9/11/2023
CHECKED		
ENG APPR.		
MFG APPR.		
Q.A.		
COMMENTS:		



TITLE:
 Oasis 305 Landscape

SIZE	DWG. NO.	REV
B	59.305.L	05
SCALE: 1:20		SHEET 1 OF 1