

Remote Fan Module - see drawing # 51.RFA.220

D

D

C

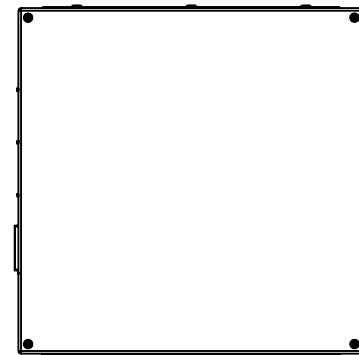
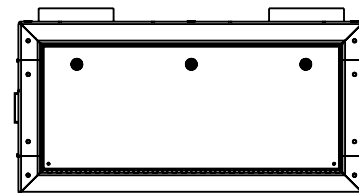
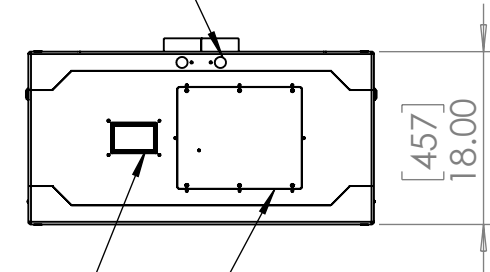
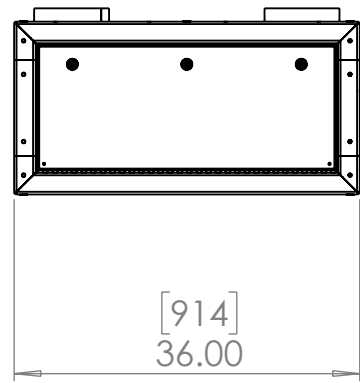
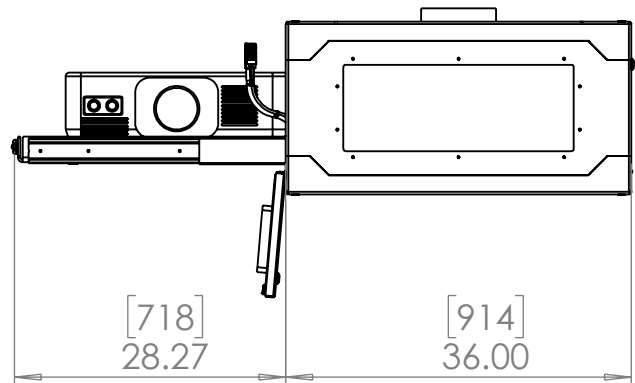
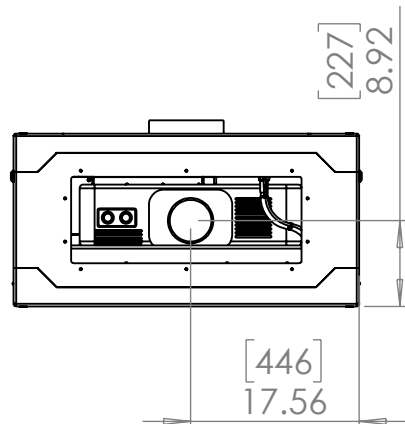
C

B

B

A

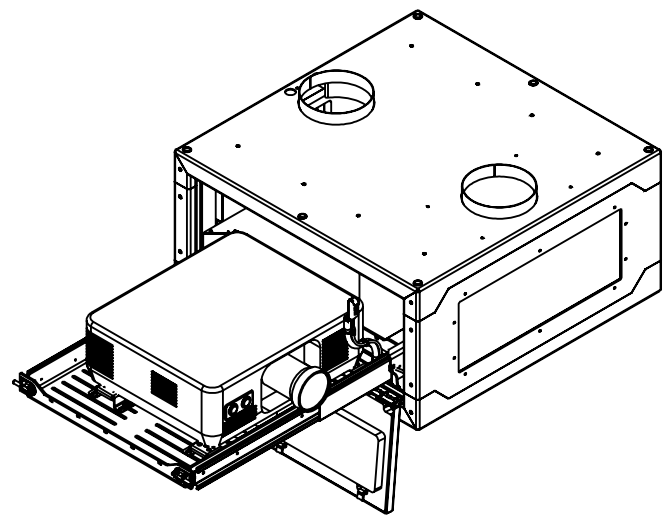
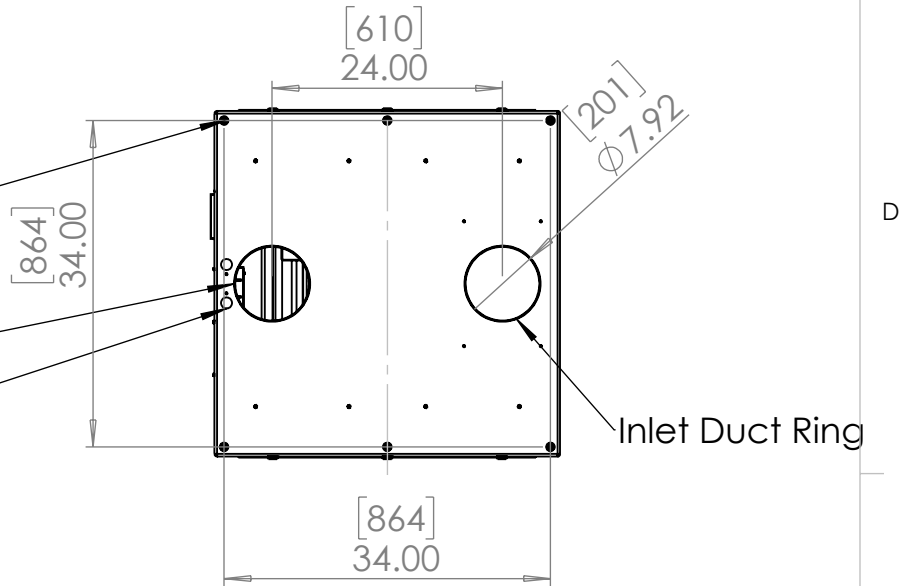
A



Rigging Points:
M12-1.75,
6 places top,
4 places bottom


Exhaust Duct
Ring
Power & Signal
Conduit Entries

User
Interface
Wiring Access
Panel



UNLESS OTHERWISE SPECIFIED:
DIMENSIONS ARE IN INCHES
TOLERANCES:
FRACTIONAL ±
ANGULAR: MACH ± BEND ±
TWO PLACE DECIMAL ±
THREE PLACE DECIMAL ±
INTERPRET GEOMETRIC
TOLERANCING PER:
MATERIAL
FINISH
DO NOT SCALE DRAWING

	NAME	DATE
DRAWN	TB	2/10/2023
CHECKED		
ENG APPR.		
MFG APPR.		
Q.A.		
COMMENTS:		

		TITLE:	
		Tacit 200 Landscape Enclosure	
SIZE	DWG. NO.	REV	
B	56.200.L	02	
SCALE: 1:20		SHEET 1 OF 1	