

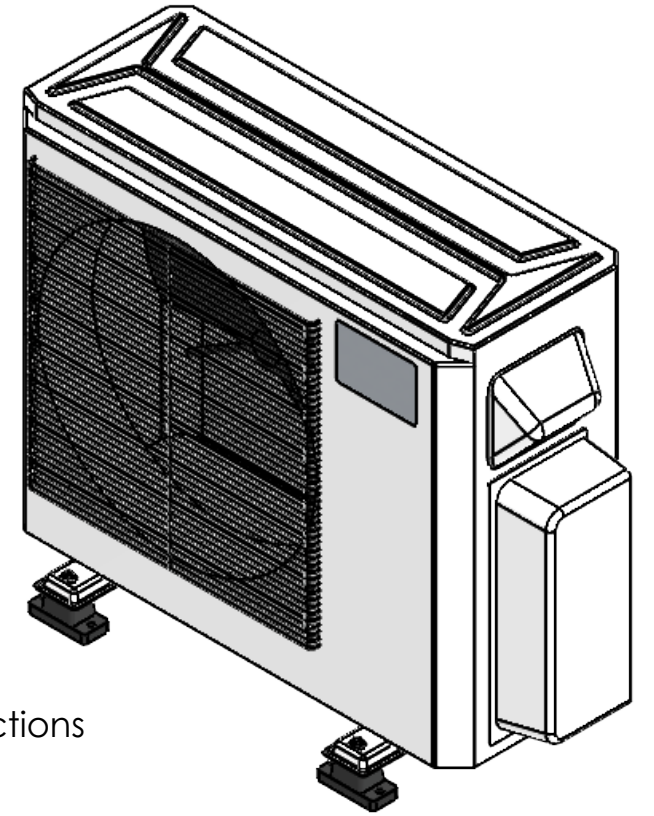
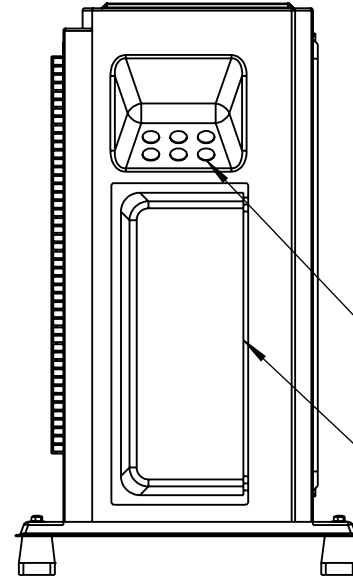
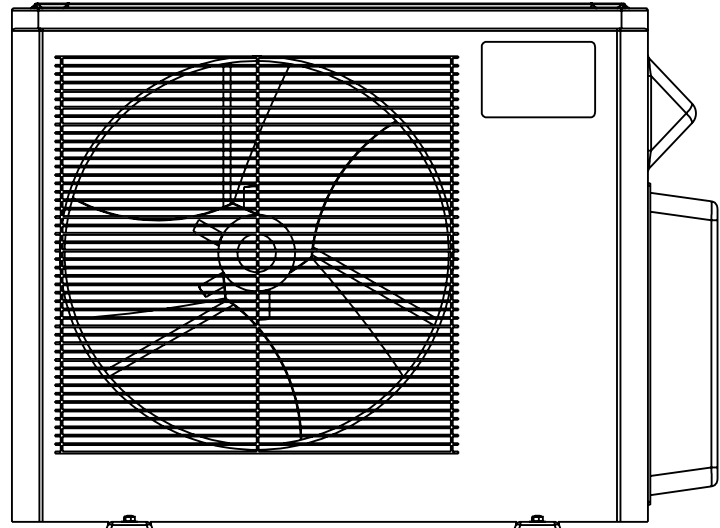
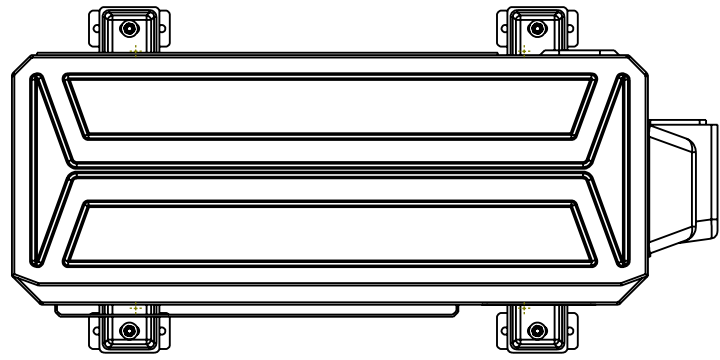
WEIGHTS	Kg	Lb
Net	49.5	109
Shipping	54.5	120

D

C

B

A



Wiring Connections

Line Set Connections

Optional Vibration Mounts

Ø0.38 [10] THRU

Mounting Points,
with Vibration
MountsMounting Points,
without Vibration
Mounts[85]
3.36[85]
3.36[400]
15.75[540]
21.25[400]
15.75[540]
21.25Left
Min. Clearance
300mm/12inBack
Min. Clearance
300mm/12inRight
Min. Clearance
600mm/24inFront
Do not Obstruct

UNLESS OTHERWISE SPECIFIED:
DIMENSIONS ARE IN INCHES
TOLERANCES:
FRACTIONAL ±
ANGULAR: MACH ± BEND ±
TWO PLACE DECIMAL ±
THREE PLACE DECIMAL ±
INTERPRET GEOMETRIC
TOLERANCING PER:

MATERIAL

FINISH

DO NOT SCALE DRAWING

	NAME	DATE
DRAWN	GNG	02/27/22
CHECKED		
ENG APPR.		
MFG APPR.		
Q.A.		
COMMENTS:		



TITLE:

Oasis Outdoor Unit, 2-
Zone, 23k BTU/hr

SIZE

DWG. NO.

REV

B

59.ODU.MZ2/23 02

SCALE: 1:20

SHEET 1 OF 1

8

7

6

5

4

3

2

1