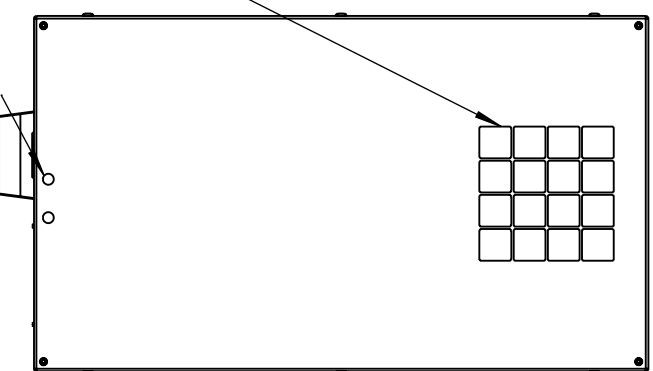
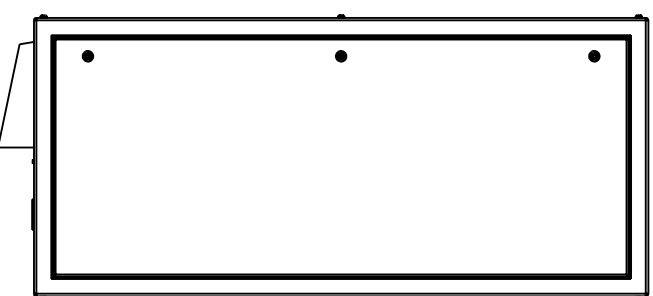
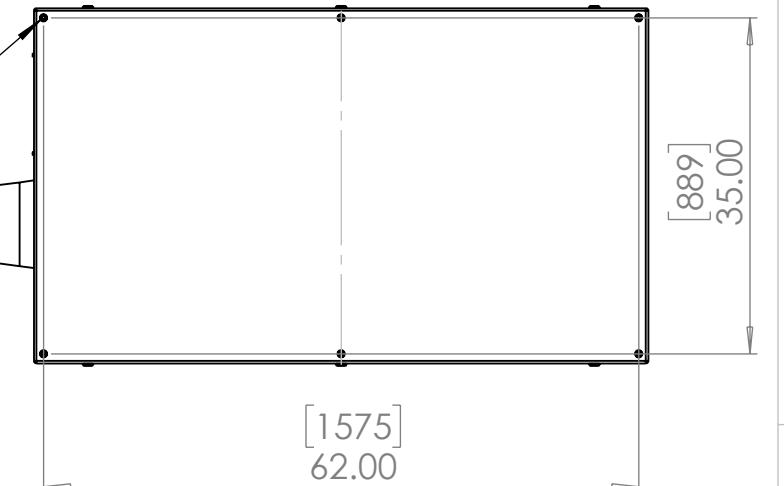
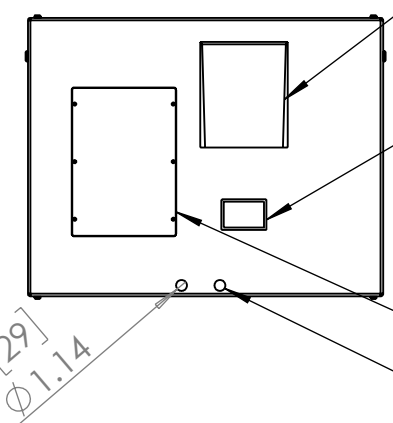
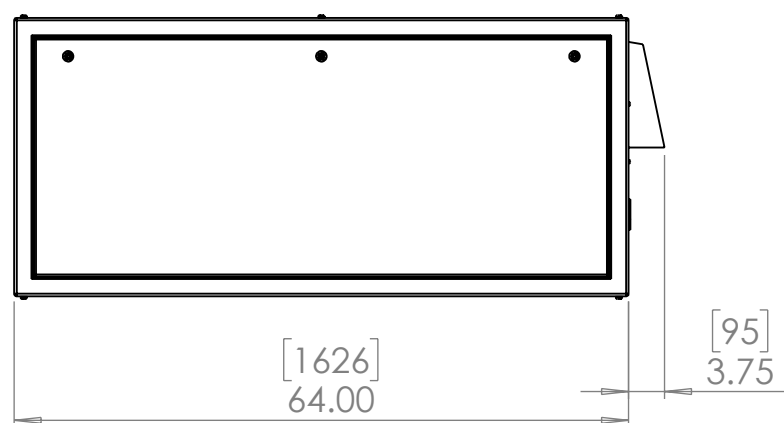
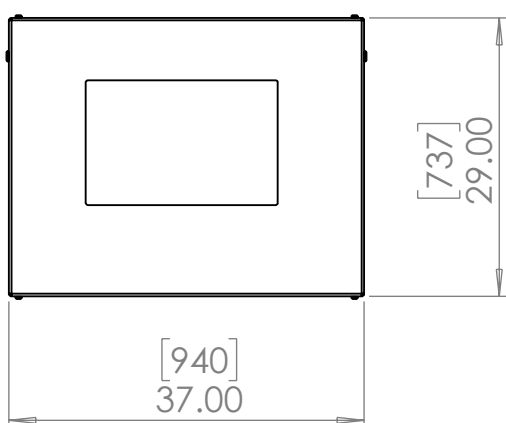


8 7 6 5 4 3 2 1

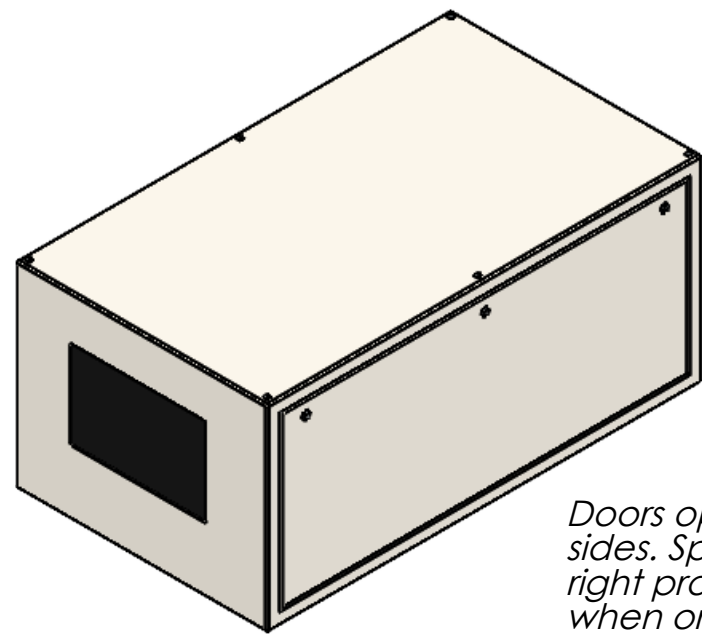
D  
C  
B  
A



Rigging Points:  
M12-1.75,  
6 places Top  
4 places Bottom

Exhaust Cowl  
User Interface  
Wiring Access  
Power & Signal Conduit Entries  
Inlet Filter, do not obstruct

Alternate  
Conduit Entries




*Doors open both sides. Specify left or right projector slide when ordering.*

*Dimensions are subject to change. Check with Tempest before starting any construction work.*

UNLESS OTHERWISE SPECIFIED:  
DIMENSIONS ARE IN INCHES  
TOLERANCES:  
FRACTIONAL ±  
ANGULAR: MACH ± BEND ±  
TWO PLACE DECIMAL ±  
THREE PLACE DECIMAL ±  
INTERPRET GEOMETRIC TOLERANCING PER:  
MATERIAL  
Aluminum  
FINISH  
TBD  
DO NOT SCALE DRAWING

	NAME	DATE
DRAWN	TB	9/8/2022
CHECKED		
ENG APPR.		
MFG APPR.		
Q.A.		
COMMENTS:		



**TEMPEST**  
lighting inc.

TITLE:  
**Cyclone 55.525  
Landscape Enclosure**

SIZE <b>B</b>	DWG. NO. <b>55.525.L</b>	REV <b>11</b>
------------------	-----------------------------	------------------

SCALE: 1:20 SHEET 1 OF 1

8 7 6 5 4 3 2 1