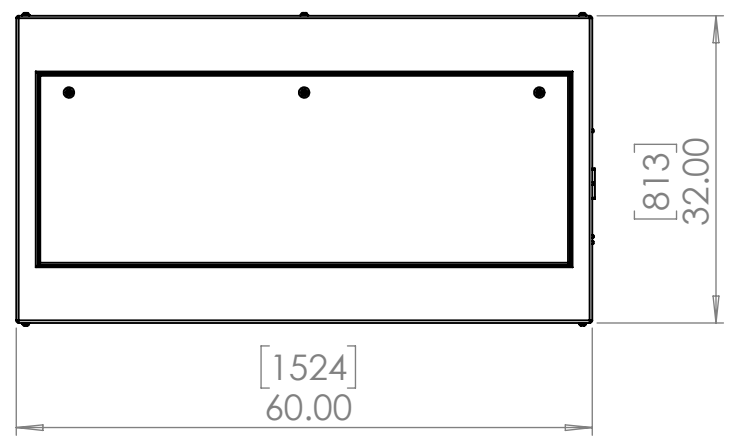
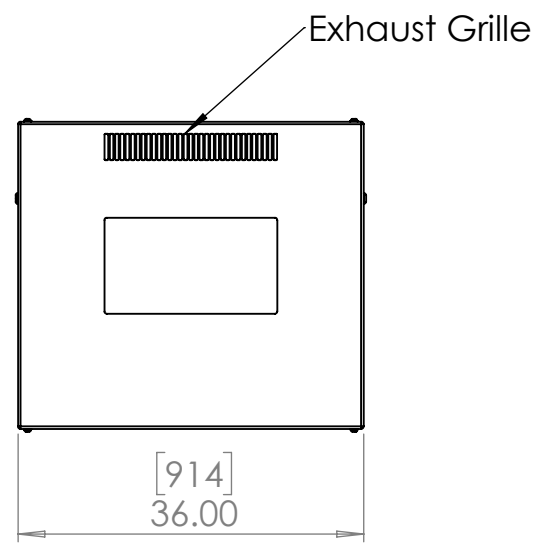


8 7 6 5 4 3 2 1

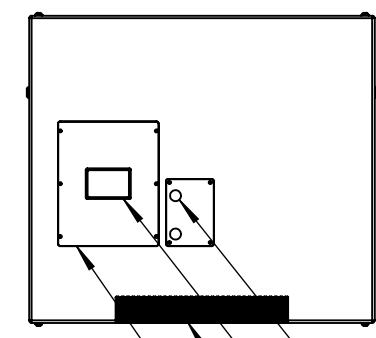
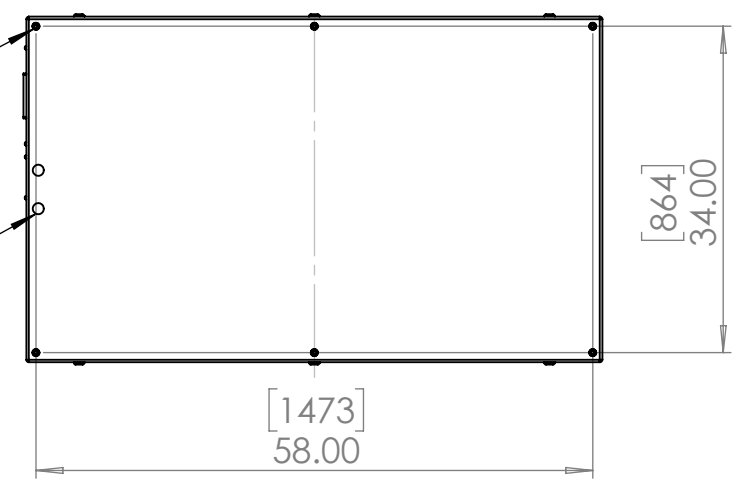
D
C
B
A

D
C
B
A



Rigging Points:
M12-1.75
6 places top, 4
places bottom

Power & Signal
Conduit Entries

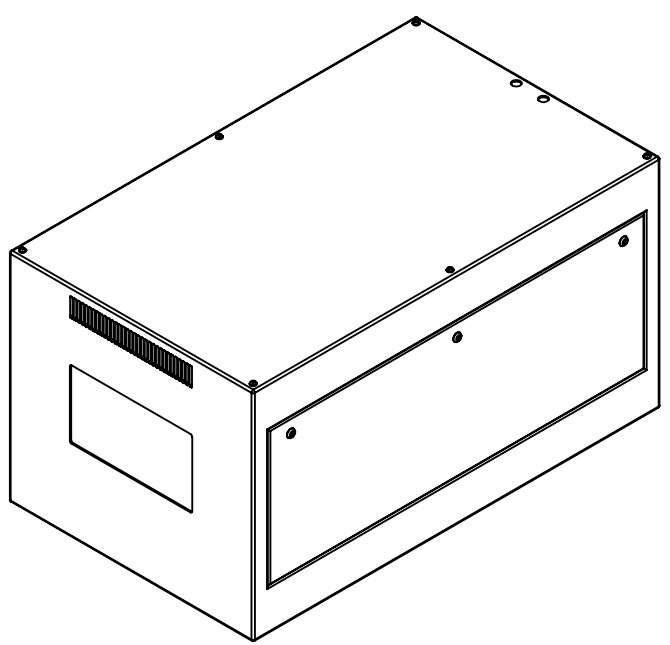
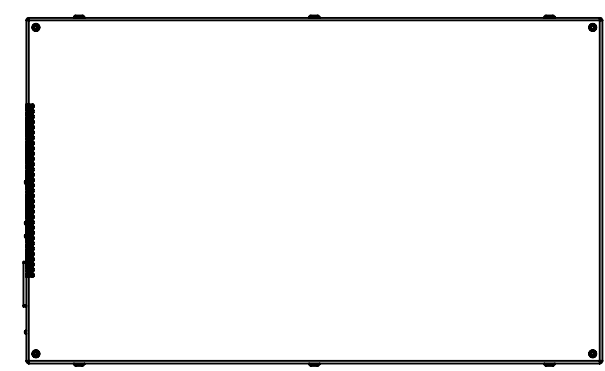
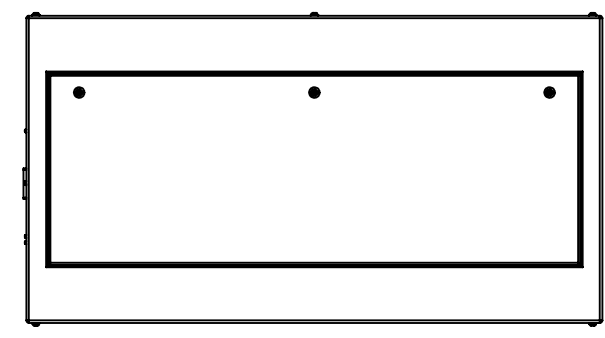


Alternate Conduit Entries

User Interface

Inlet Grille

Wiring Access



Dimensions may be subject to change - check with Tempest before starting construction work.

UNLESS OTHERWISE SPECIFIED:
DIMENSIONS ARE IN INCHES
TOLERANCES:
FRACTIONAL ±
ANGULAR: MACH ± BEND ±
TWO PLACE DECIMAL ±
THREE PLACE DECIMAL ±
INTERPRET GEOMETRIC
TOLERANCING PER:
MATERIAL
Aluminum
FINISH
Powder Coat RAL
9003 White
DO NOT SCALE DRAWING

	NAME	DATE
DRAWN	TB	4/22/2021
CHECKED		
ENG APPR.		
MFG APPR.		
Q.A.		
COMMENTS:		



TITLE:
Zen 57.314 Enclosure

SIZE	DWG. NO.	REV
B	57.314.L	11

SCALE: 1:20 SHEET 1 OF 1

8 7 6 5 4 3 2 1