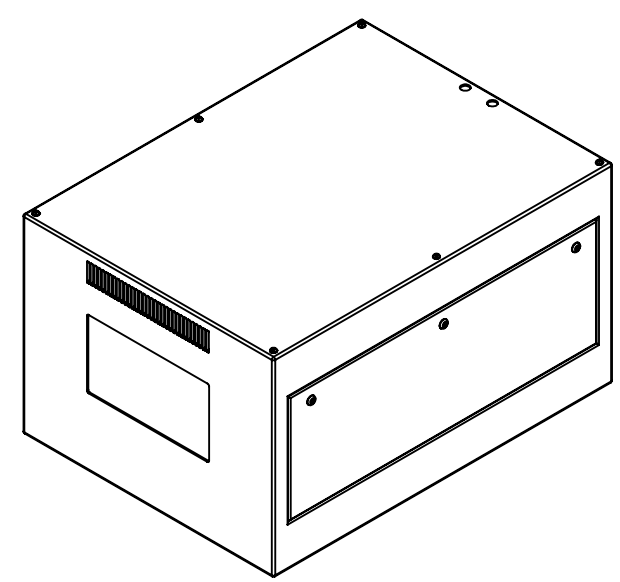
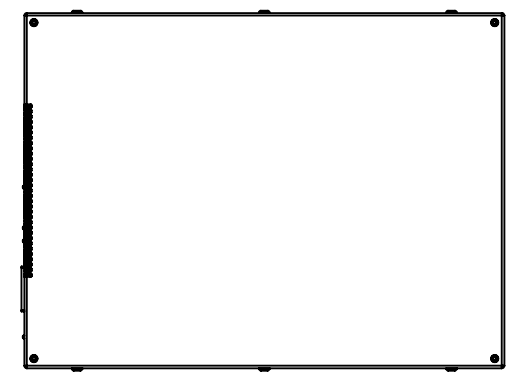
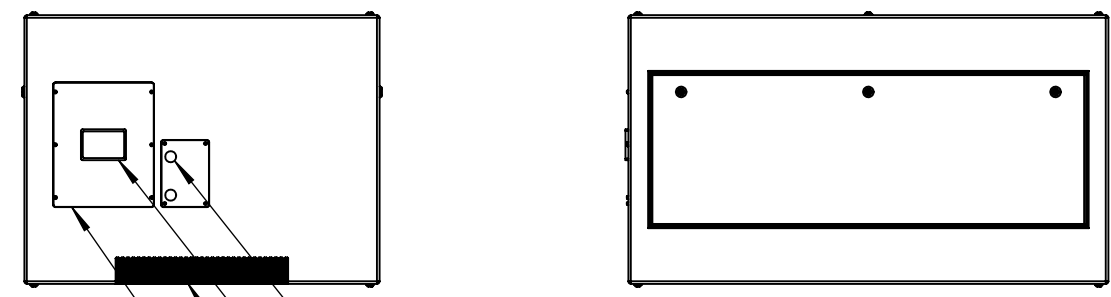
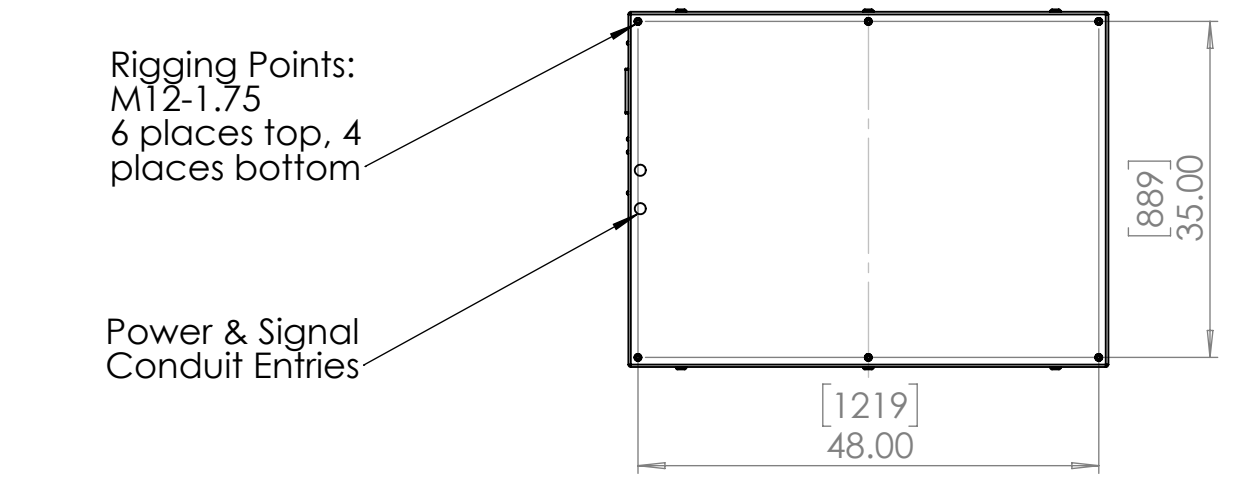
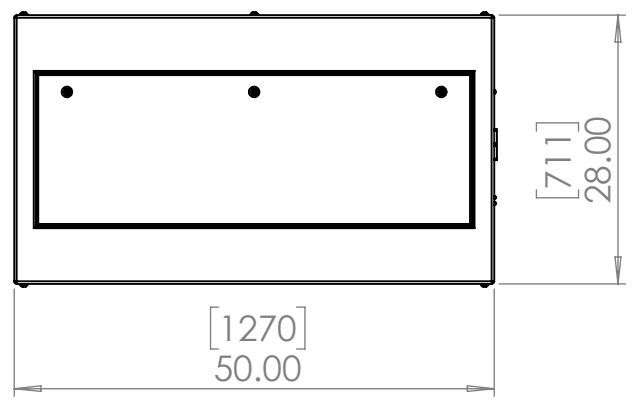
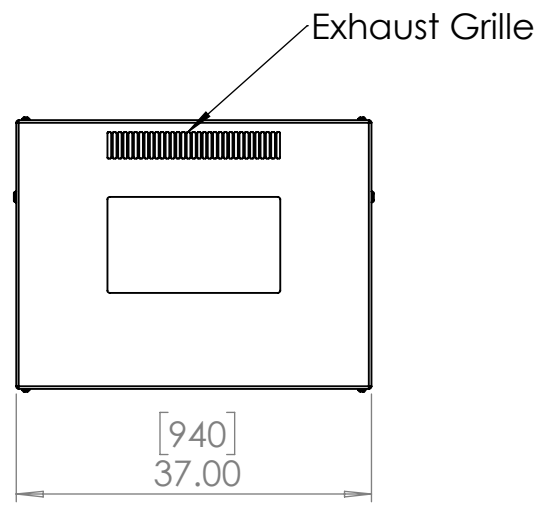


8 7 6 5 4 3 2 1

D  
C  
B  
A

D  
C  
B  
A



UNLESS OTHERWISE SPECIFIED:  
DIMENSIONS ARE IN INCHES  
TOLERANCES:  
FRACTIONAL ±  
ANGULAR: MACH ± BEND ±  
TWO PLACE DECIMAL ±  
THREE PLACE DECIMAL ±  
INTERPRET GEOMETRIC  
TOLERANCING PER:  
MATERIAL  
Aluminum  
FINISH  
Powder Coat RAL  
9003 White  
DO NOT SCALE DRAWING

	NAME	DATE
DRAWN	TB	4/22/2021
CHECKED		
ENG APPR.		
MFG APPR.		
Q.A.		
COMMENTS:		



TITLE:  
Zen 57.250 Enclosure

SIZE	DWG. NO.	REV
<b>B</b>	57.250.L	11

SCALE: 1:20 SHEET 1 OF 1

Dimensions may be subject to change - check with Tempest before starting construction work.

8 7 6 5 4 3 2 1