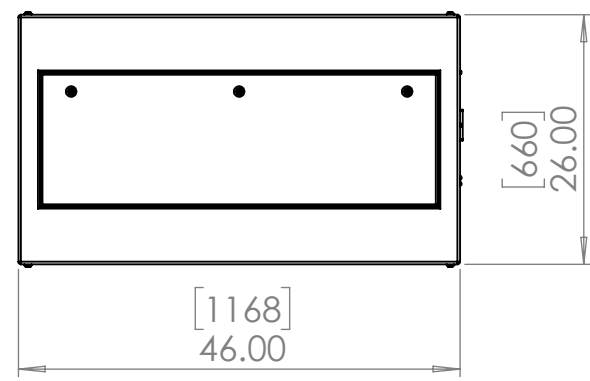
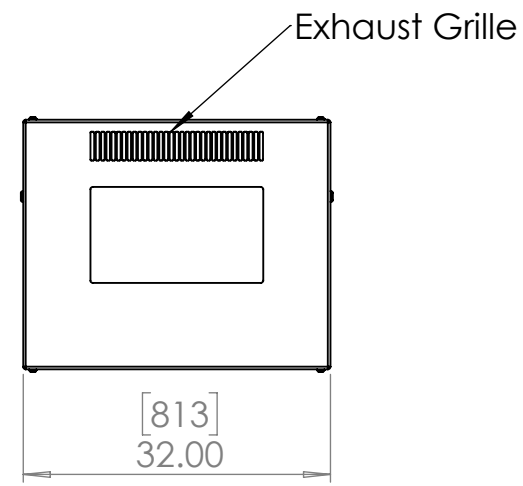


8 7 6 5 4 3 2 1

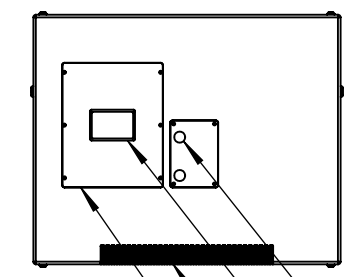
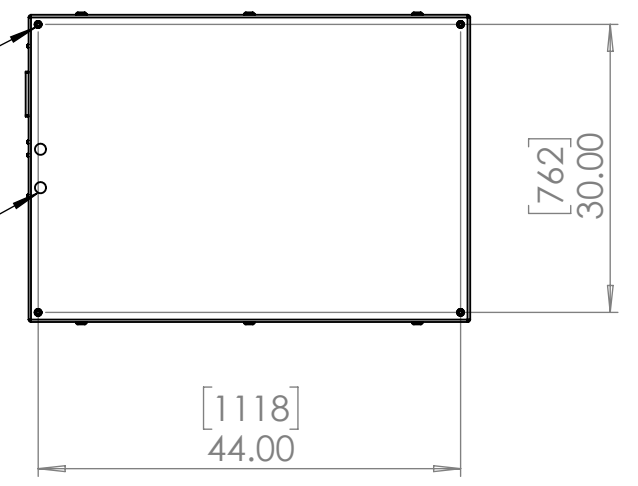
D  
C  
B  
A

D  
C  
B  
A

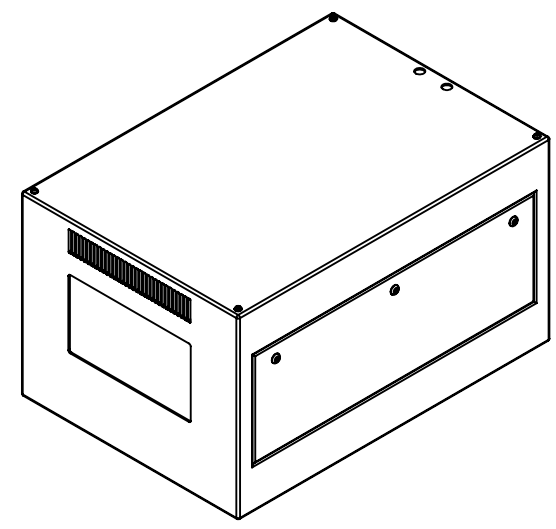
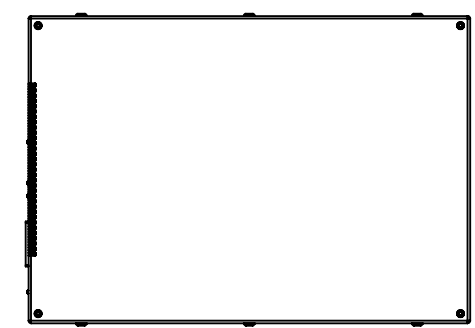
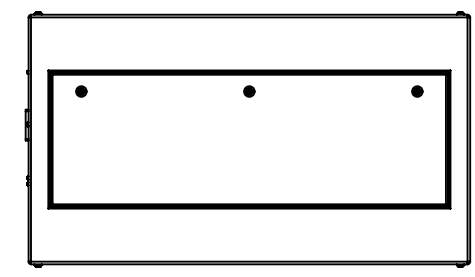


Rigging Points:  
M12-1.75  
4 places, top  
and bottom

Power & Signal  
Conduit Entries




Alternate Conduit Entries  
User Interface  
Inlet Grille  
Wiring Access



*Dimensions may be subject to change - check with Tempest before starting construction work.*

UNLESS OTHERWISE SPECIFIED:  
DIMENSIONS ARE IN INCHES  
TOLERANCES:  
FRACTIONAL ±  
ANGULAR: MACH ± BEND ±  
TWO PLACE DECIMAL ±  
THREE PLACE DECIMAL ±  
INTERPRET GEOMETRIC  
TOLERANCING PER:  
MATERIAL  
Aluminum  
FINISH  
Powder Coat RAL  
9003 White  
DO NOT SCALE DRAWING

	NAME	DATE
DRAWN	TB	4/22/2021
CHECKED		
ENG APPR.		
MFG APPR.		
Q.A.		
COMMENTS:		



**TEMPEST**  
lighting inc.

TITLE:  
**Zen 202 Hush Enclosure**

SIZE <b>B</b>	DWG. NO. 57.202.L	REV 11
------------------	----------------------	-----------

SCALE: 1:20 SHEET 1 OF 1