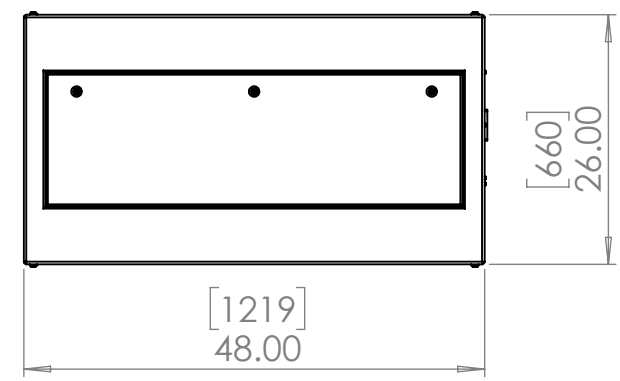
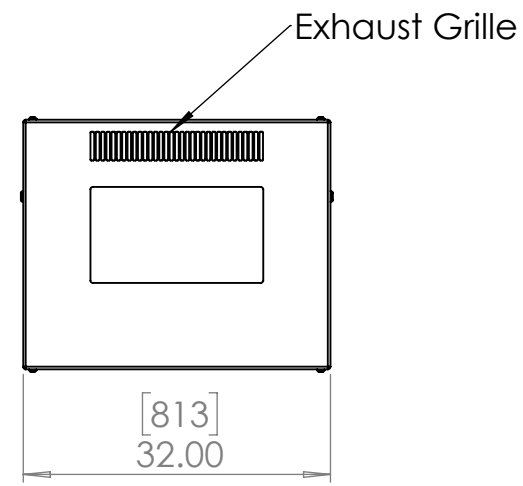


8 7 6 5 4 3 2 1

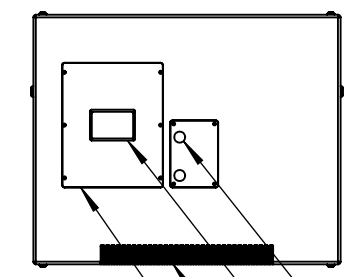
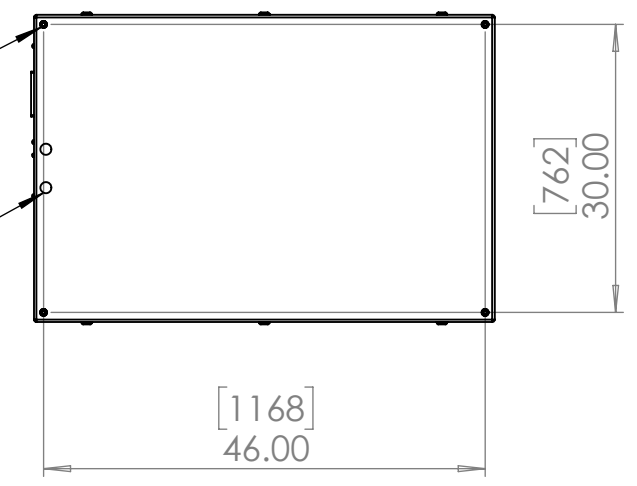
D
C
B
A

D
C
B
A

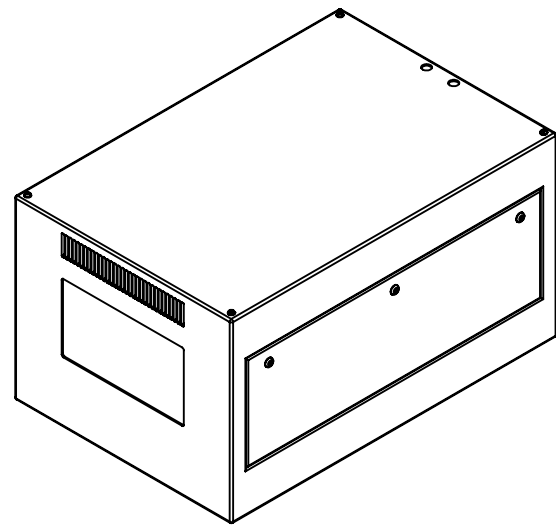
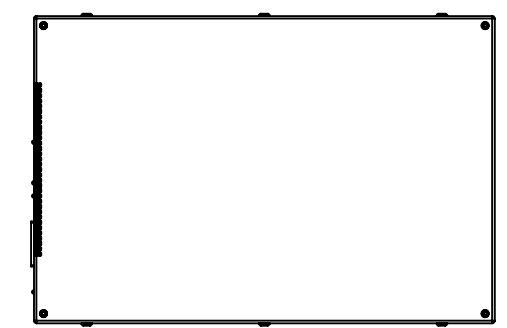
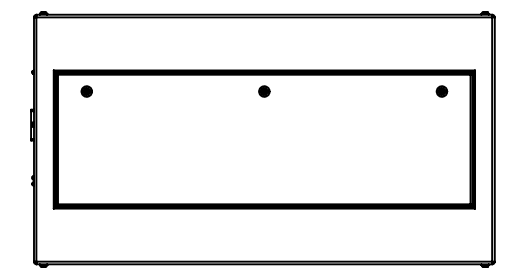


Rigging Points:
M12-1.75
4 places, top
and bottom

Power & Signal
Conduit Entries



Alternate Conduit Entries
User Interface
Inlet Grille
Wiring Access



UNLESS OTHERWISE SPECIFIED:
DIMENSIONS ARE IN INCHES
TOLERANCES:
FRACTIONAL ±
ANGULAR: MACH ± BEND ±
TWO PLACE DECIMAL ±
THREE PLACE DECIMAL ±
INTERPRET GEOMETRIC
TOLERANCING PER:
MATERIAL
Aluminum
FINISH
Powder Coat RAL
9003 White
DO NOT SCALE DRAWING

| | NAME | DATE |
|-----------|------|-----------|
| DRAWN | TB | 4/22/2021 |
| CHECKED | | |
| ENG APPR. | | |
| MFG APPR. | | |
| Q.A. | | |
| COMMENTS: | | |



TITLE:
Zen 150 Hush Enclosure

| SIZE | DWG. NO. | REV |
|----------|----------|-----|
| B | 57.150.L | 11 |

SCALE: 1:20 SHEET 1 OF 1

Dimensions may be subject to change - check with Tempest before starting construction work.

8 7 6 5 4 3 2 1