

For Remote Fan Module, see drawing # 51.RFA.270.PWM

D

C

B

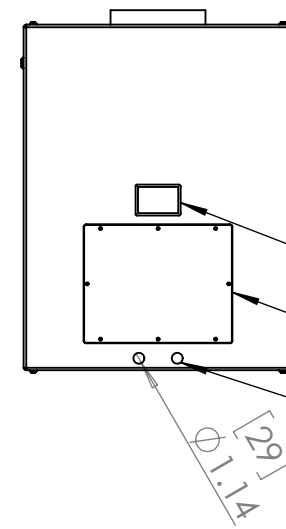
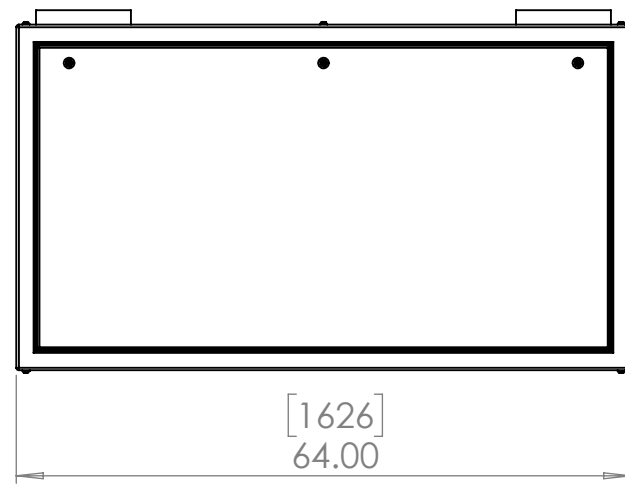
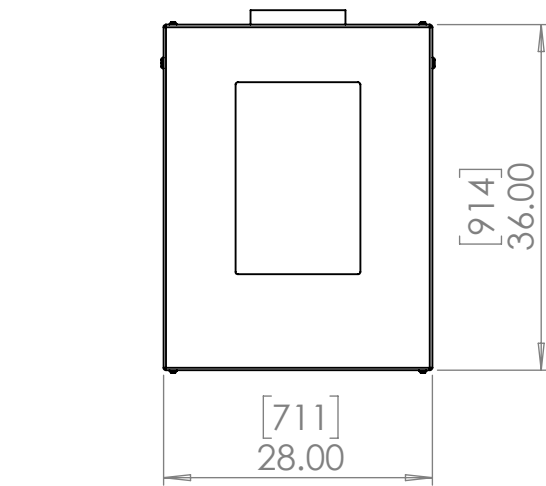
A

D

C

B

A



Rigging Points:  
M12-1.75,  
4 places top and bottom

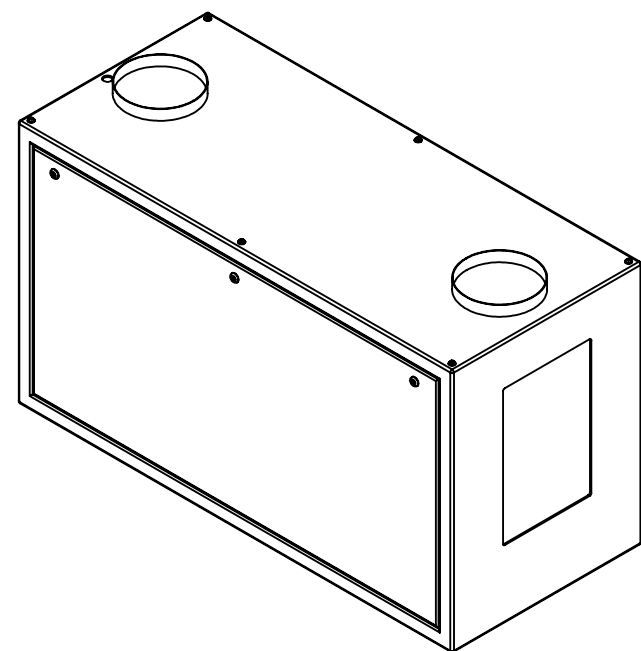
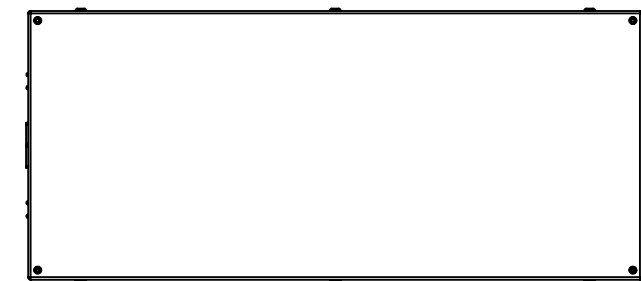
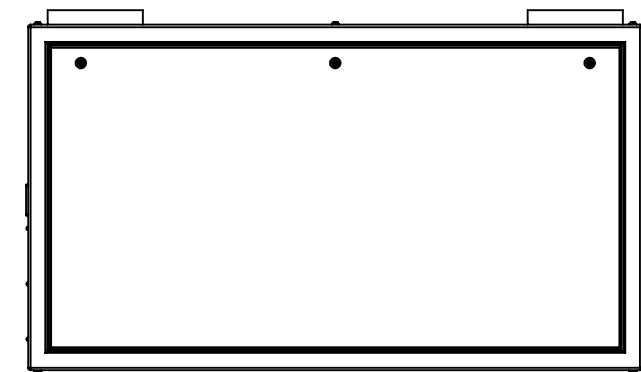
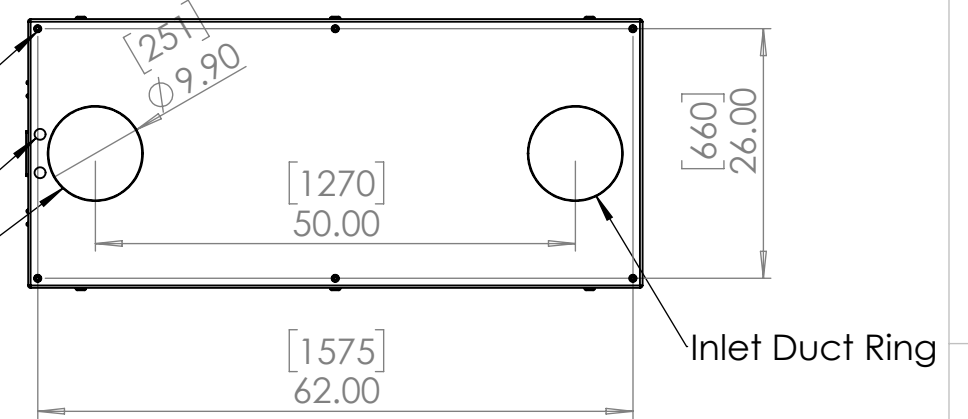
Alternate Conduit Entries

Exhaust Duct Ring

User Interface

Wiring Access

Power & Signal Conduit Entries



Dimensions are subject to change. Check with Tempest before starting any construction work.


UNLESS OTHERWISE SPECIFIED:  
DIMENSIONS ARE IN INCHES  
TOLERANCES:  
FRACTIONAL ±  
ANGULAR: MACH ± BEND ±  
TWO PLACE DECIMAL ±  
THREE PLACE DECIMAL ±  
INTERPRET GEOMETRIC TOLERANCING PER:

MATERIAL  
Aluminum

FINISH  
TBD

DO NOT SCALE DRAWING

	NAME	DATE
DRAWN	TB	9/10/2022
CHECKED		
ENG APPR.		
MFG APPR.		
Q.A.		
COMMENTS:		



**TEMPEST**  
lighting inc.

TITLE:  
Tacit 56.525 Portrait Enclosure

SIZE <b>B</b>	DWG. NO. 56.525.P	REV 08
------------------	----------------------	-----------

SCALE: 1:10 SHEET 1 OF 1

8 7 6 5 4 3 2 1