

For Remote Fan Module, see drawing # 51.RFA.270.PWM

D

C

B

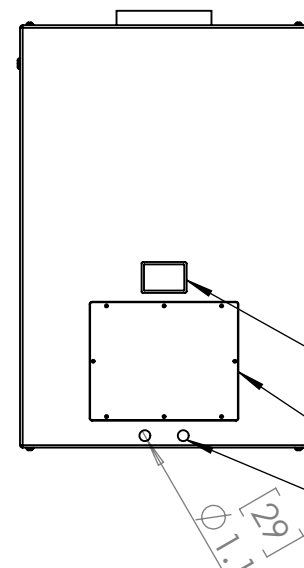
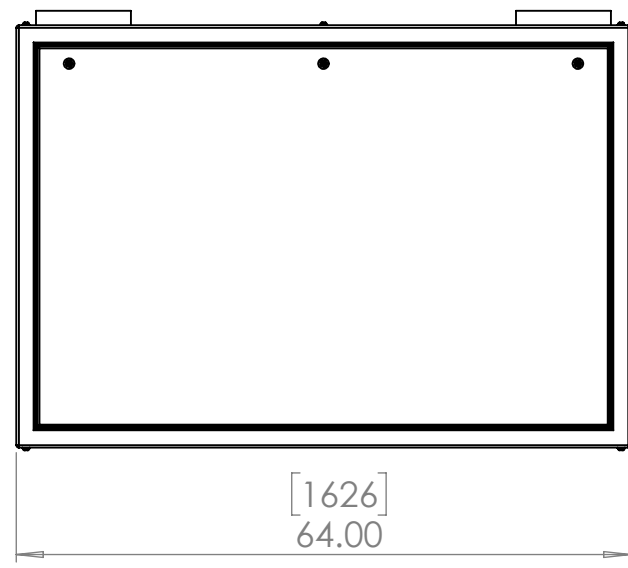
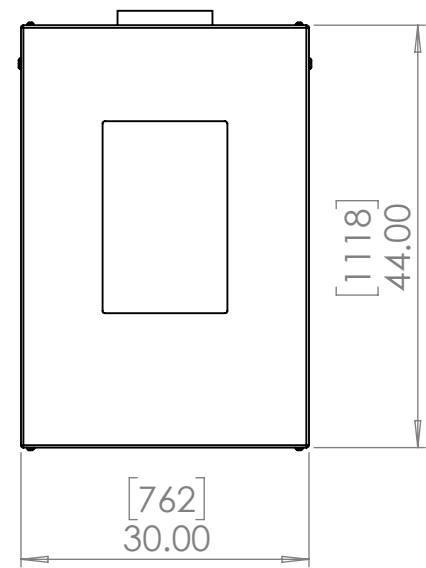
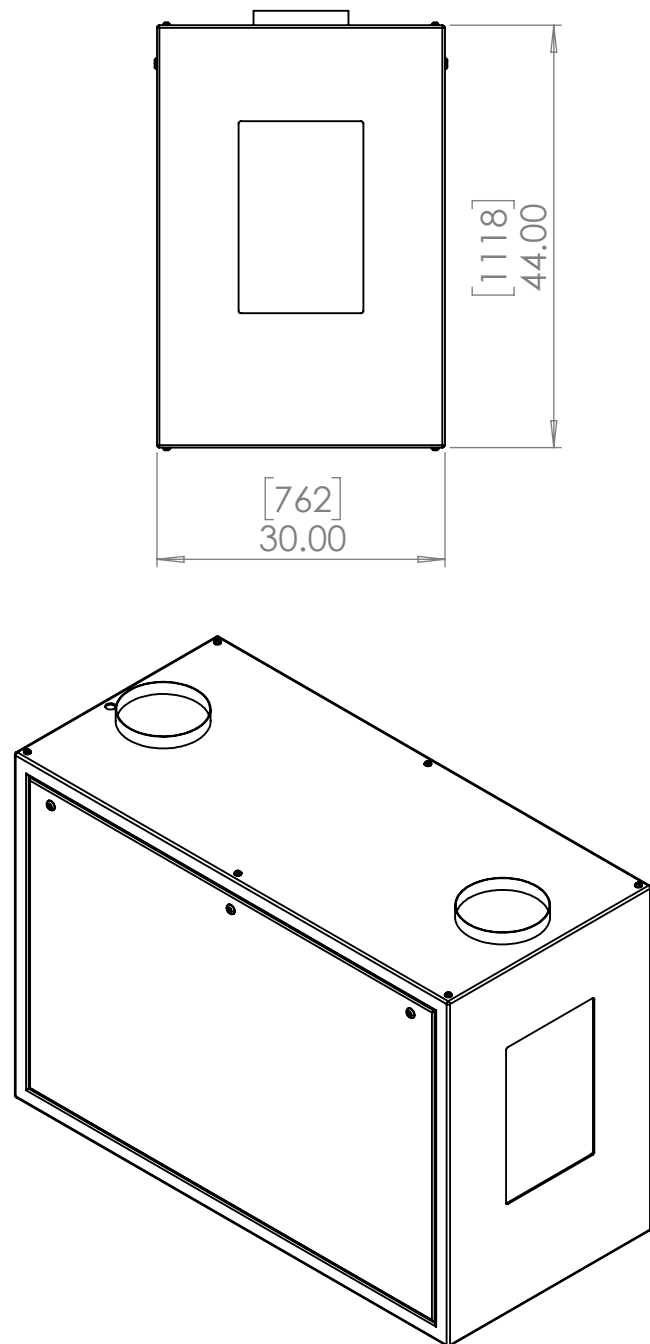
A

D

C

B

A



Rigging Points:
M12-1.75,
4 places top and bottom

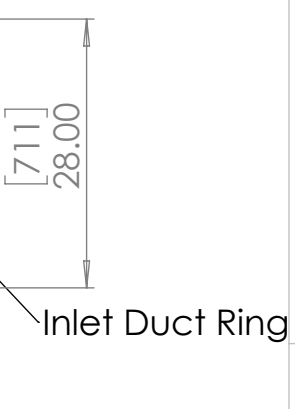
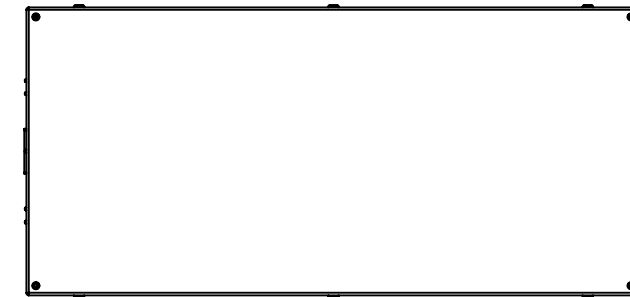
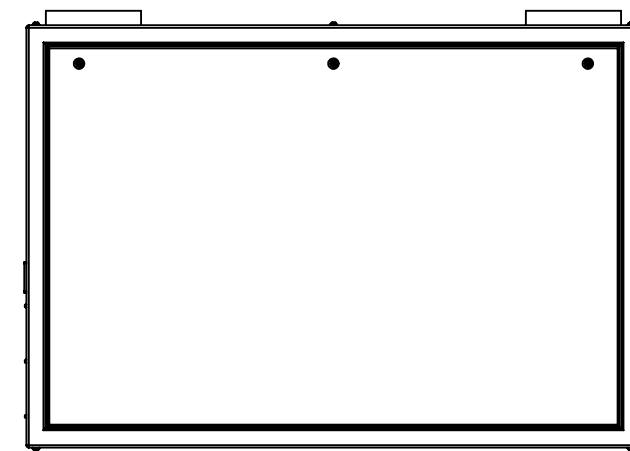
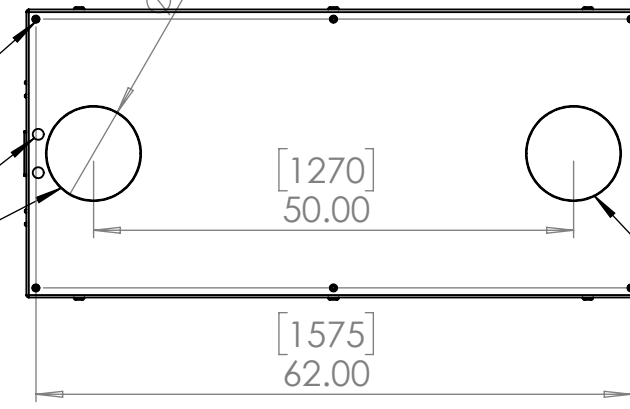
Alternate Conduit Entries

Exhaust Duct Ring

User Interface

Wiring Access

Power & Signal Conduit Entries



Dimensions are subject to change. Check with Tempest before starting any construction work.

UNLESS OTHERWISE SPECIFIED:
DIMENSIONS ARE IN INCHES
TOLERANCES:
FRACTIONAL ±
ANGULAR: MACH ± BEND ±
TWO PLACE DECIMAL ±
THREE PLACE DECIMAL ±
INTERPRET GEOMETRIC TOLERANCING PER:

MATERIAL
Aluminum

FINISH
TBD

DO NOT SCALE DRAWING

	NAME	DATE
DRAWN	TB	9/10/2022
CHECKED		
ENG APPR.		
MFG APPR.		
Q.A.		
COMMENTS:		

TITLE:
Tacit 56.522 Portrait Enclosure

SIZE B	DWG. NO. 56.522.P	REV 08
SCALE: 1:10		SHEET 1 OF 1

8

7

6

5

4

3

2

1

8

7

6

5

4

3

2

1