

For Remote Fan Module, see drawing # 51.RFA.270.PWM

D

C

B

A

D

C

B

A

Rigging Points:  
M12-1.75,  
4 places top and bottom

Alternate Conduit Entries

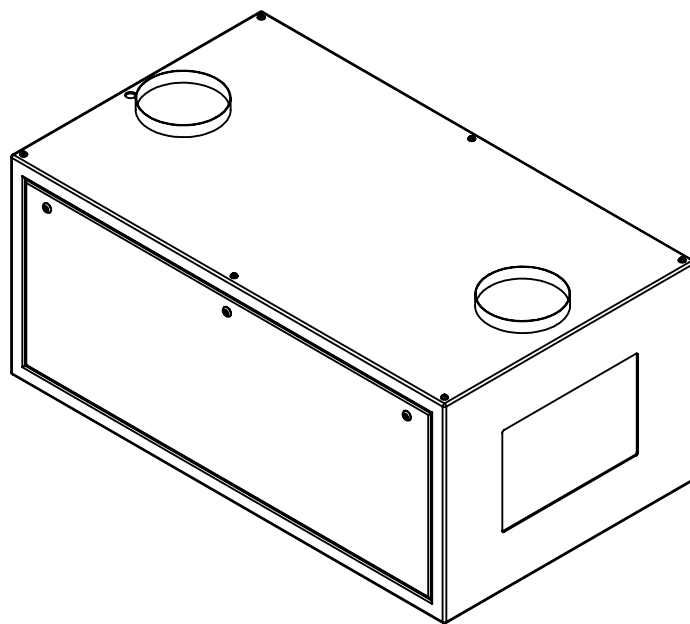
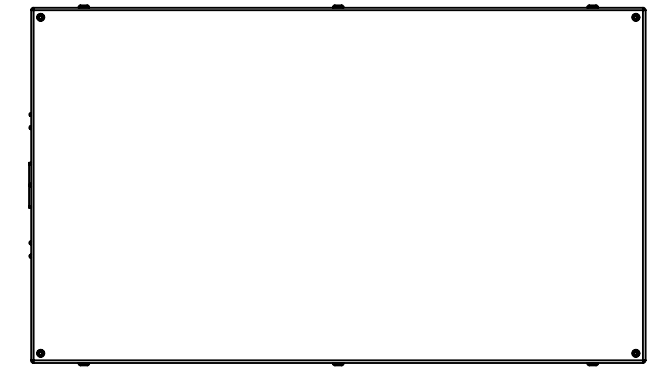
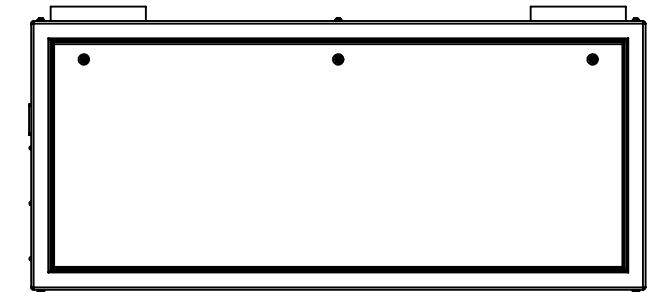
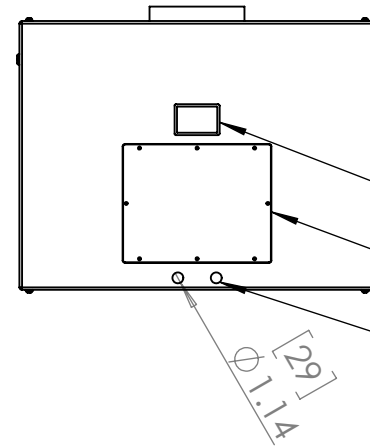
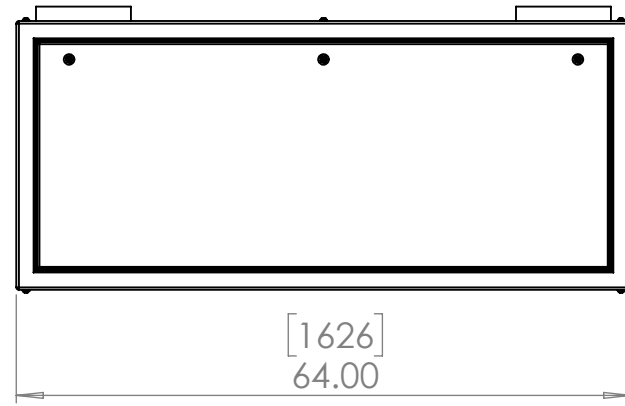
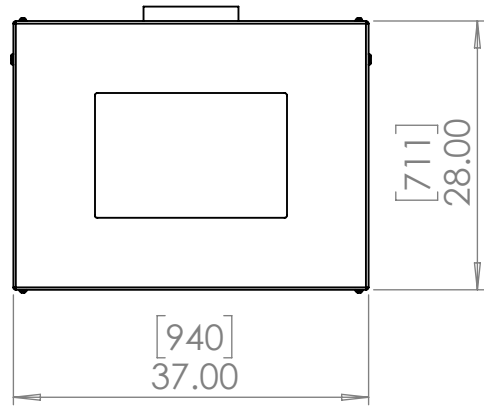
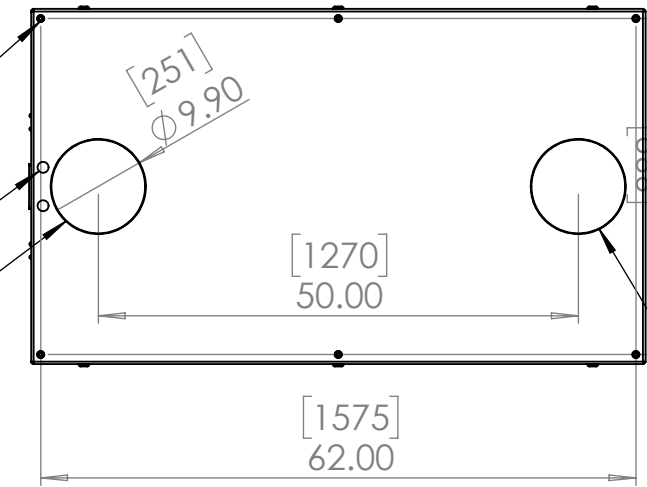
Exhaust Duct Ring

Inlet Duct Ring

User Interface

Wiring Access

Power & Signal Conduit Entries




UNLESS OTHERWISE SPECIFIED:  
DIMENSIONS ARE IN INCHES  
TOLERANCES:  
FRACTIONAL ±  
ANGULAR: MACH ± BEND ±  
TWO PLACE DECIMAL ±  
THREE PLACE DECIMAL ±  
INTERPRET GEOMETRIC TOLERANCING PER:

MATERIAL  
Aluminum

FINISH  
TBD

DO NOT SCALE DRAWING

	NAME	DATE
DRAWN	TB	9/10/2022
CHECKED		
ENG APPR.		
MFG APPR.		
Q.A.		
COMMENTS:		



TITLE:  
Tacit 56.522 Landscape Enclosure

SIZE <b>B</b>	DWG. NO. 56.522.L	REV 08
SCALE: 1:10		SHEET 1 OF 1

Dimensions are subject to change. Check with Tempest before starting any construction work.