

For Remote Fan Module, see drawing # 51.RFA.270.PWM

D

C

B

A

D

C

B

A

Rigging Points:
M12-1.75,
4 places top and bottom

Alternate Conduit Entries

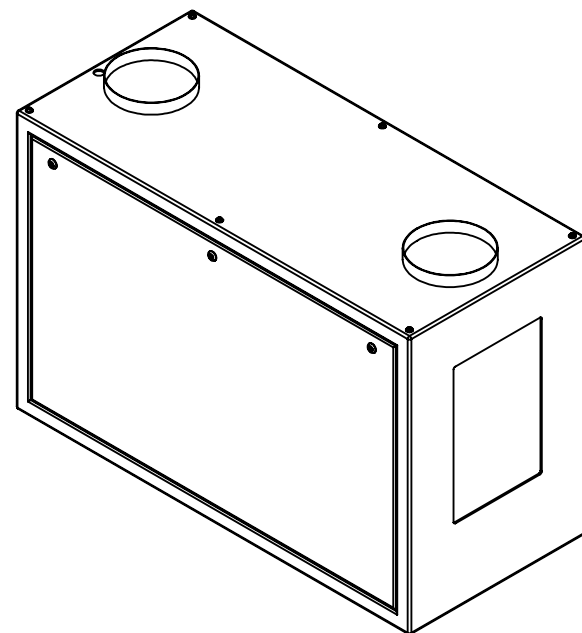
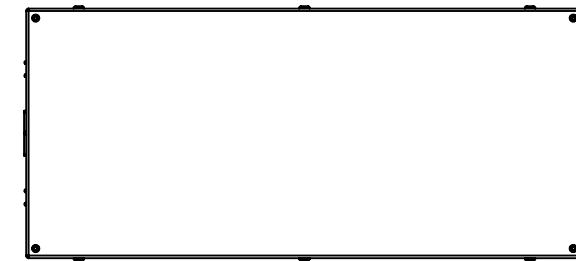
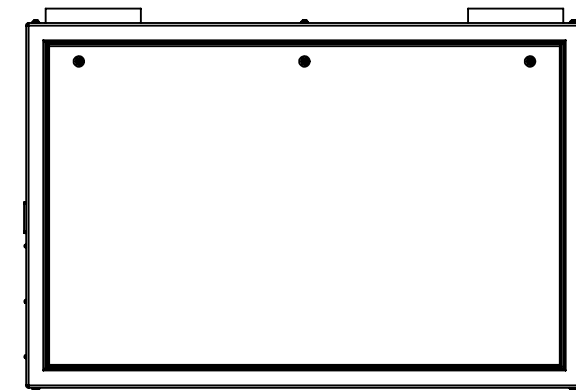
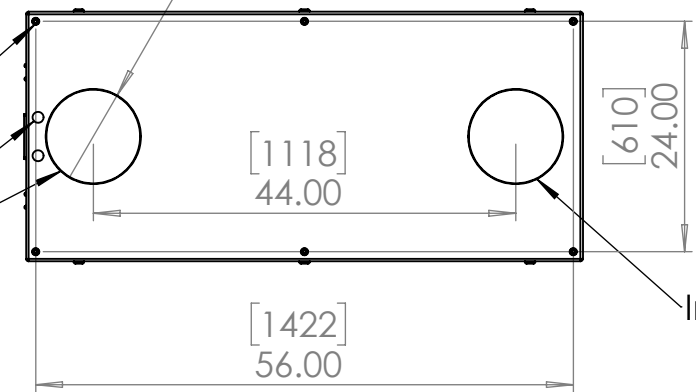
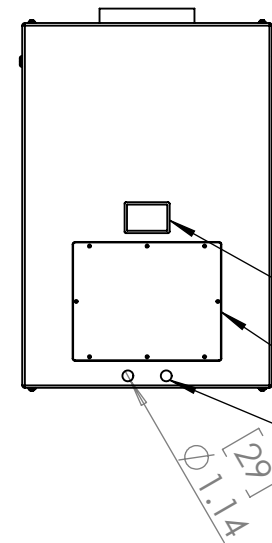
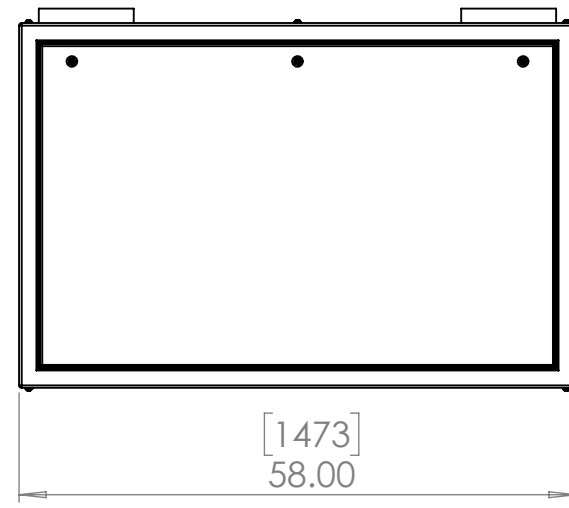
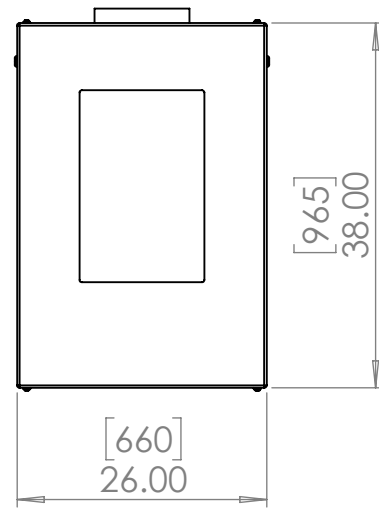
Exhaust Duct Ring

Inlet Duct Ring

User Interface

Wiring Access

Power & Signal Conduit Entries




UNLESS OTHERWISE SPECIFIED:
DIMENSIONS ARE IN INCHES
TOLERANCES:
FRACTIONAL ±
ANGULAR: MACH ± BEND ±
TWO PLACE DECIMAL ±
THREE PLACE DECIMAL ±
INTERPRET GEOMETRIC
TOLERANCING PER:

MATERIAL
Aluminum

FINISH
TBD

DO NOT SCALE DRAWING

	NAME	DATE
DRAWN	TB	9/10/2022
CHECKED		
ENG APPR.		
MFG APPR.		
Q.A.		
COMMENTS:		



TEMPEST
lighting inc.

TITLE:
Tacit 56.514 Portrait
Enclosure

SIZE B	DWG. NO. 56.514.P	REV 08
------------------	----------------------	-----------

SCALE: 1:10 SHEET 1 OF 1

Dimensions are subject to change. Check with Tempest before starting any construction work.