

For Remote Fan Module, see drawing # 51.RFA.220.PWM

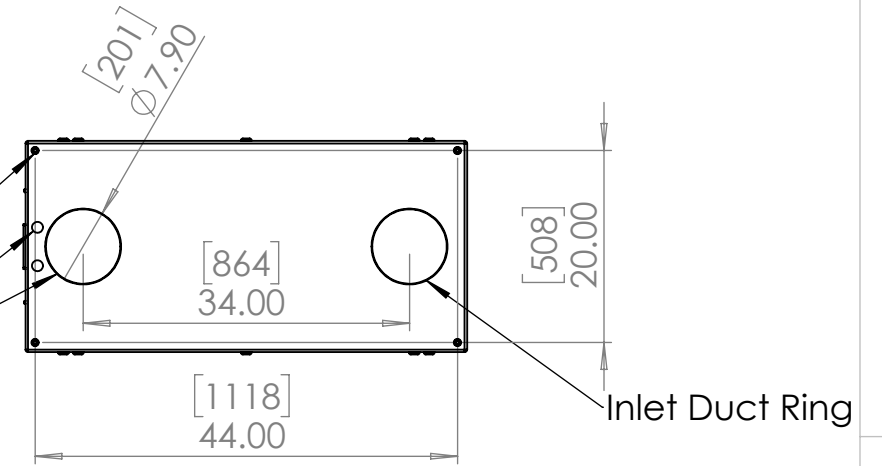
D

D

Rigging Points:
M12-1.75,
4 places top and bottom

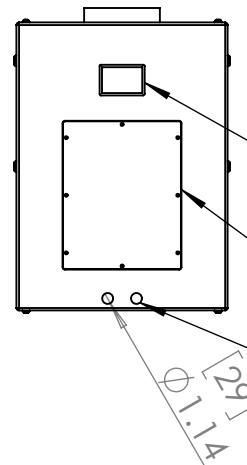
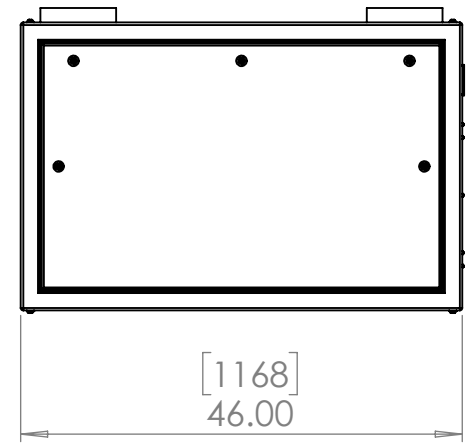
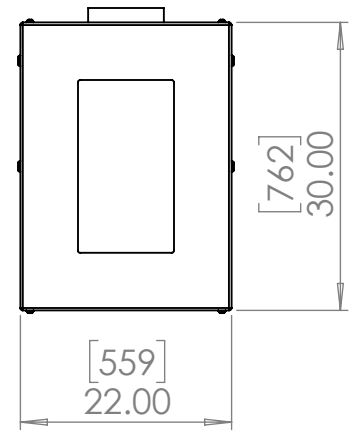
Alternate Conduit Entries

Exhaust Duct Ring



C

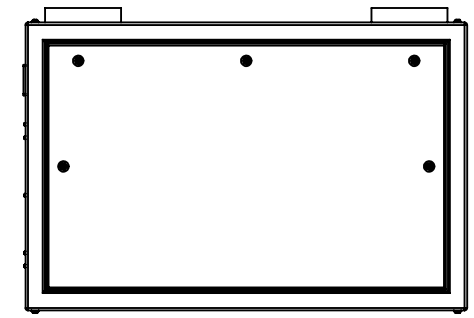
C



User Interface

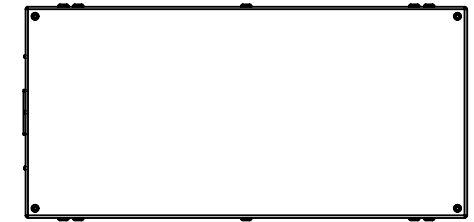
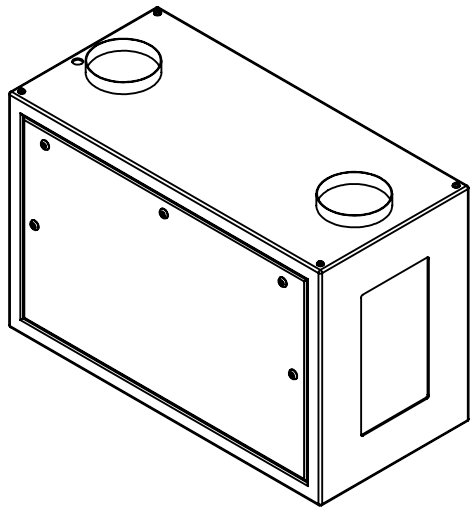
Wiring Access

Power & Signal Conduit Entries



B

B



A

A


UNLESS OTHERWISE SPECIFIED:
DIMENSIONS ARE IN INCHES
TOLERANCES:
FRACTIONAL ±
ANGULAR: MACH ± BEND ±
TWO PLACE DECIMAL ±
THREE PLACE DECIMAL ±
INTERPRET GEOMETRIC
TOLERANCING PER:

MATERIAL
Aluminum

FINISH
TBD

DO NOT SCALE DRAWING

	NAME	DATE
DRAWN	TB	9/10/2022
CHECKED		
ENG APPR.		
MFG APPR.		
Q.A.		
COMMENTS:		



TEMPEST
lighting inc.

TITLE:
Tacit 56.204 Portrait
Enclosure

SIZE B	DWG. NO. 56.204.P	REV 08
SCALE: 1:10		SHEET 1 OF 1

Dimensions are subject to change. Check with Tempest before starting any construction work.