

For Remote Fan Module, see drawing # 51.RFA.220.PWM

D

C

B

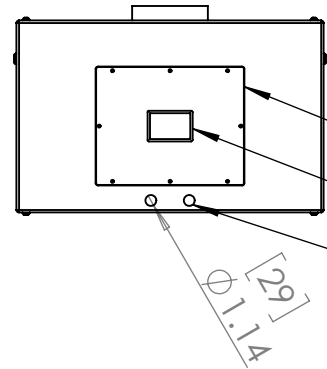
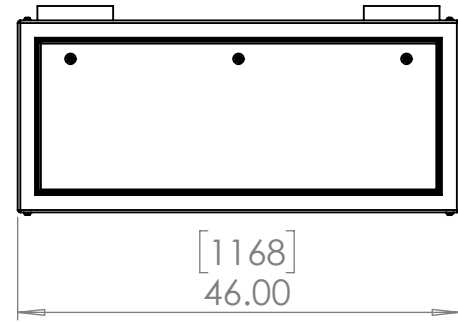
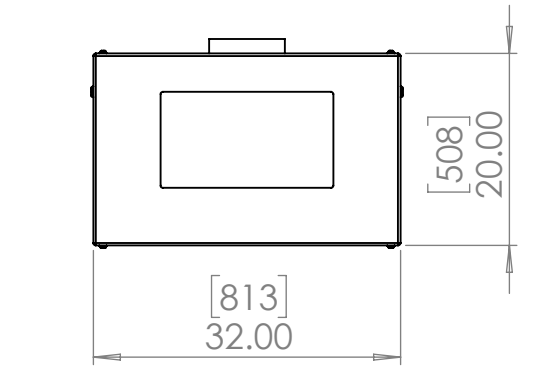
A

D

C

B

A



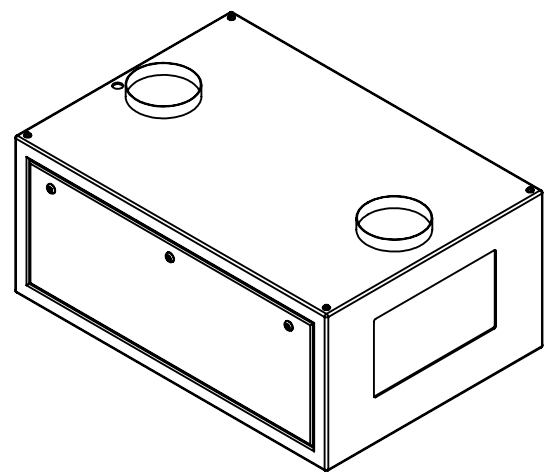
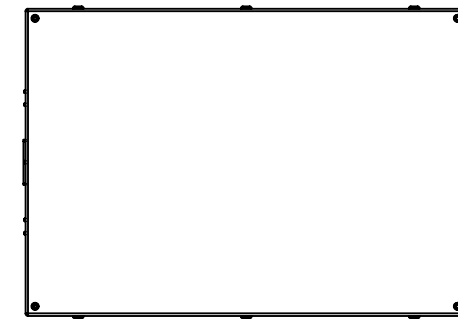
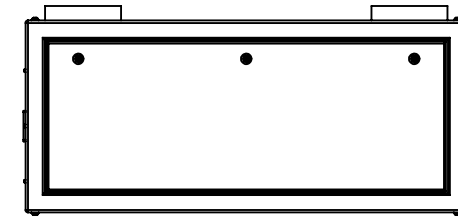
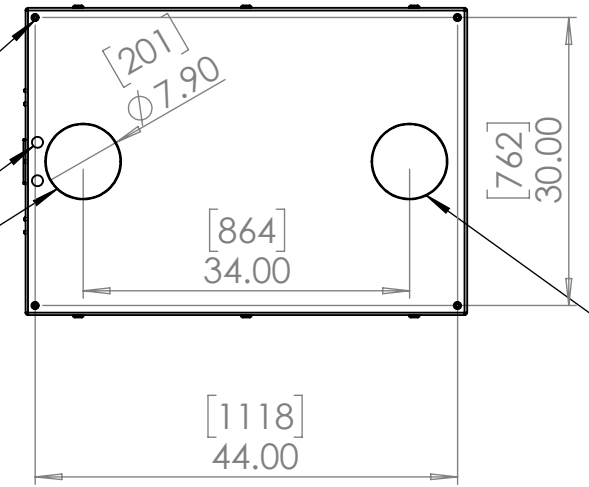
Wiring Access  
User Interface  
Power & Signal Conduit Entries

Rigging Points:  
M12-1.75,  
4 places top and bottom

Alternate Conduit Entries

Exhaust Duct Ring


Inlet Duct Ring



Dimensions are subject to change. Check with Tempest before starting any construction work.

UNLESS OTHERWISE SPECIFIED:  
DIMENSIONS ARE IN INCHES  
TOLERANCES:  
FRACTIONAL ±  
ANGULAR: MACH ± BEND ±  
TWO PLACE DECIMAL ±  
THREE PLACE DECIMAL ±  
INTERPRET GEOMETRIC  
TOLERANCING PER:  
MATERIAL  
Aluminum  
FINISH  
TBD  
DO NOT SCALE DRAWING

	NAME	DATE
DRAWN	TB	9/10/2022
CHECKED		
ENG APPR.		
MFG APPR.		
Q.A.		
COMMENTS:		



**TEMPEST**  
lighting inc.

TITLE:  
Tacit 56.204 Landscape Enclosure

SIZE <b>B</b>	DWG. NO. 56.204.L	REV 08
------------------	----------------------	-----------

SCALE: 1:10 SHEET 1 OF 1