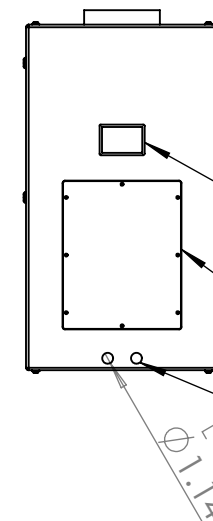
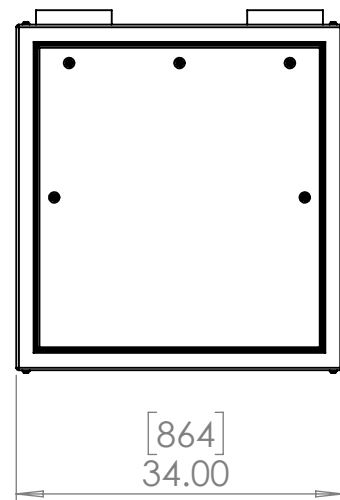
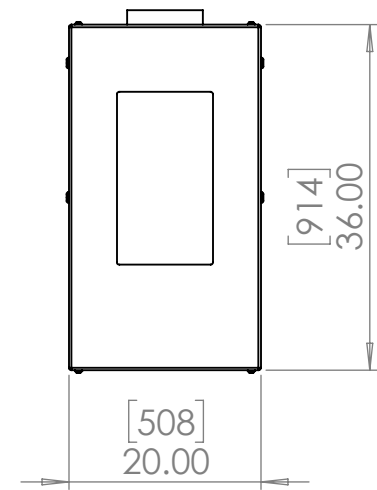


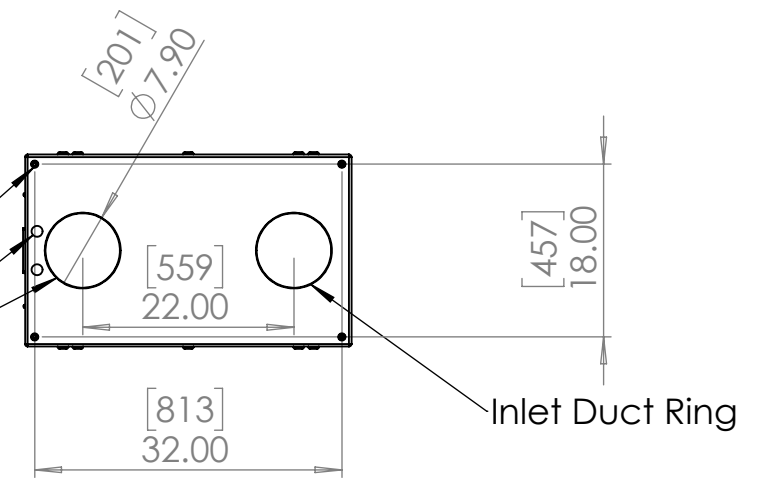
For Remote Fan Module, see drawing # 51.RFA.220.PWM



Rigging Points:
M12-1.75,
4 places top and bottom

Alternate Conduit Entries

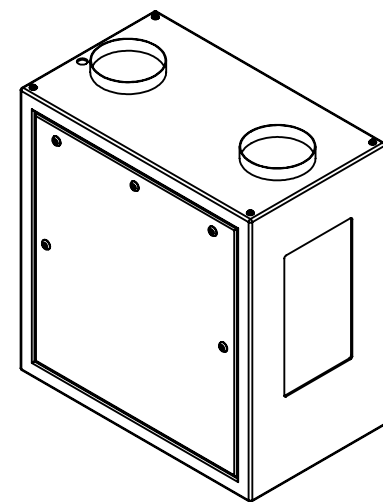
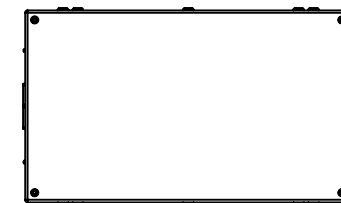
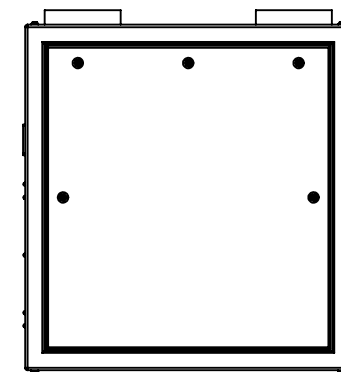
Exhaust Duct Ring



User Interface

Wiring Access


Power & Signal Conduit Entries



Dimensions are subject to change. Check with Tempest before starting any construction work.

UNLESS OTHERWISE SPECIFIED:
DIMENSIONS ARE IN INCHES
TOLERANCES:
FRACTIONAL ±
ANGULAR: MACH ± BEND ±
TWO PLACE DECIMAL ±
THREE PLACE DECIMAL ±
INTERPRET GEOMETRIC TOLERANCING PER:
MATERIAL
Aluminum
FINISH
TBD
DO NOT SCALE DRAWING

	NAME	DATE
DRAWN	TB	9/10/2022
CHECKED		
ENG APPR.		
MFG APPR.		
Q.A.		
COMMENTS:		



TEMPEST
lighting inc.

TITLE:
Tacit 56.202 Portrait Enclosure

SIZE B	DWG. NO. 56.202.P	REV 08
------------------	----------------------	-----------

SCALE: 1:10 SHEET 1 OF 1