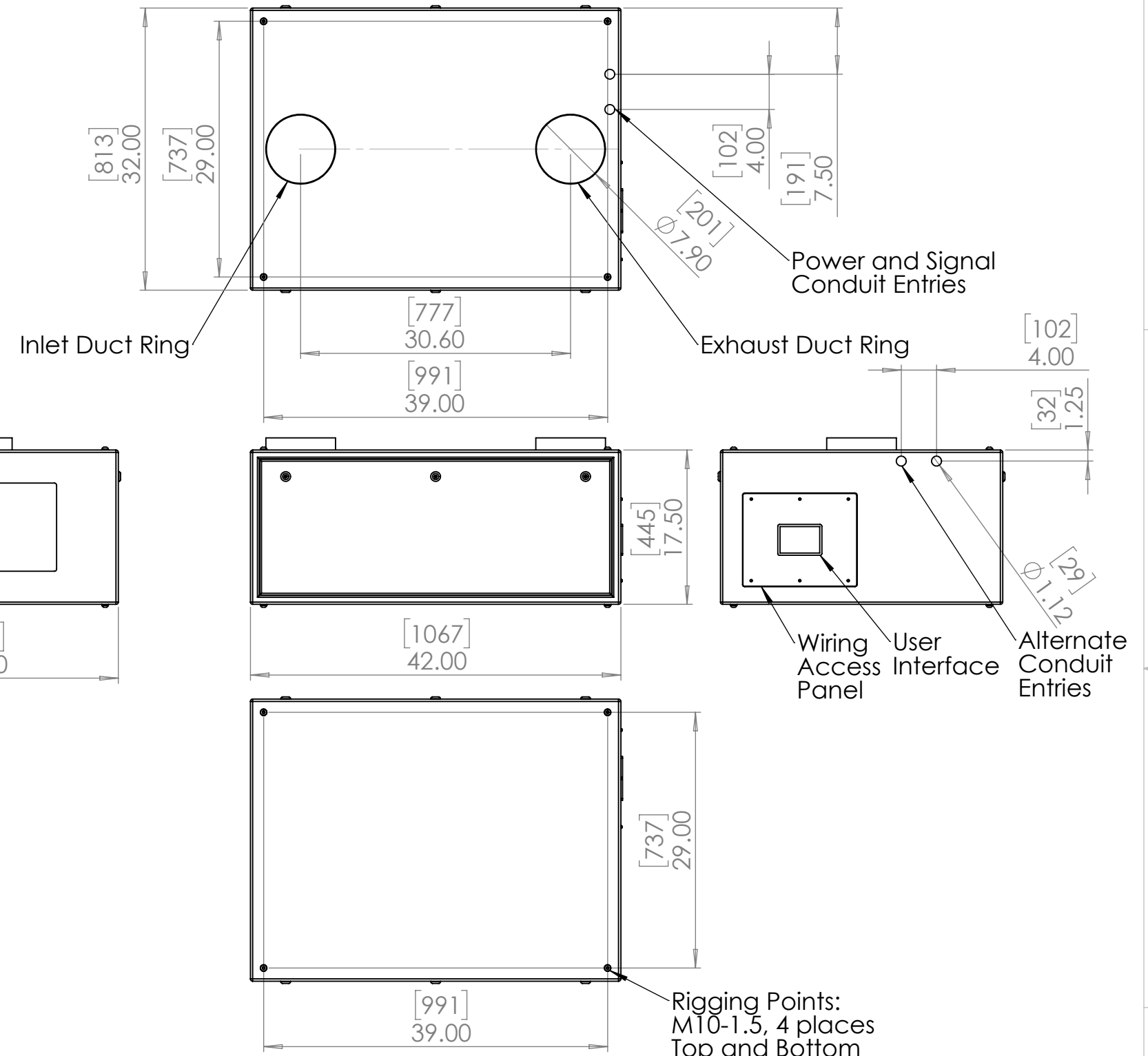
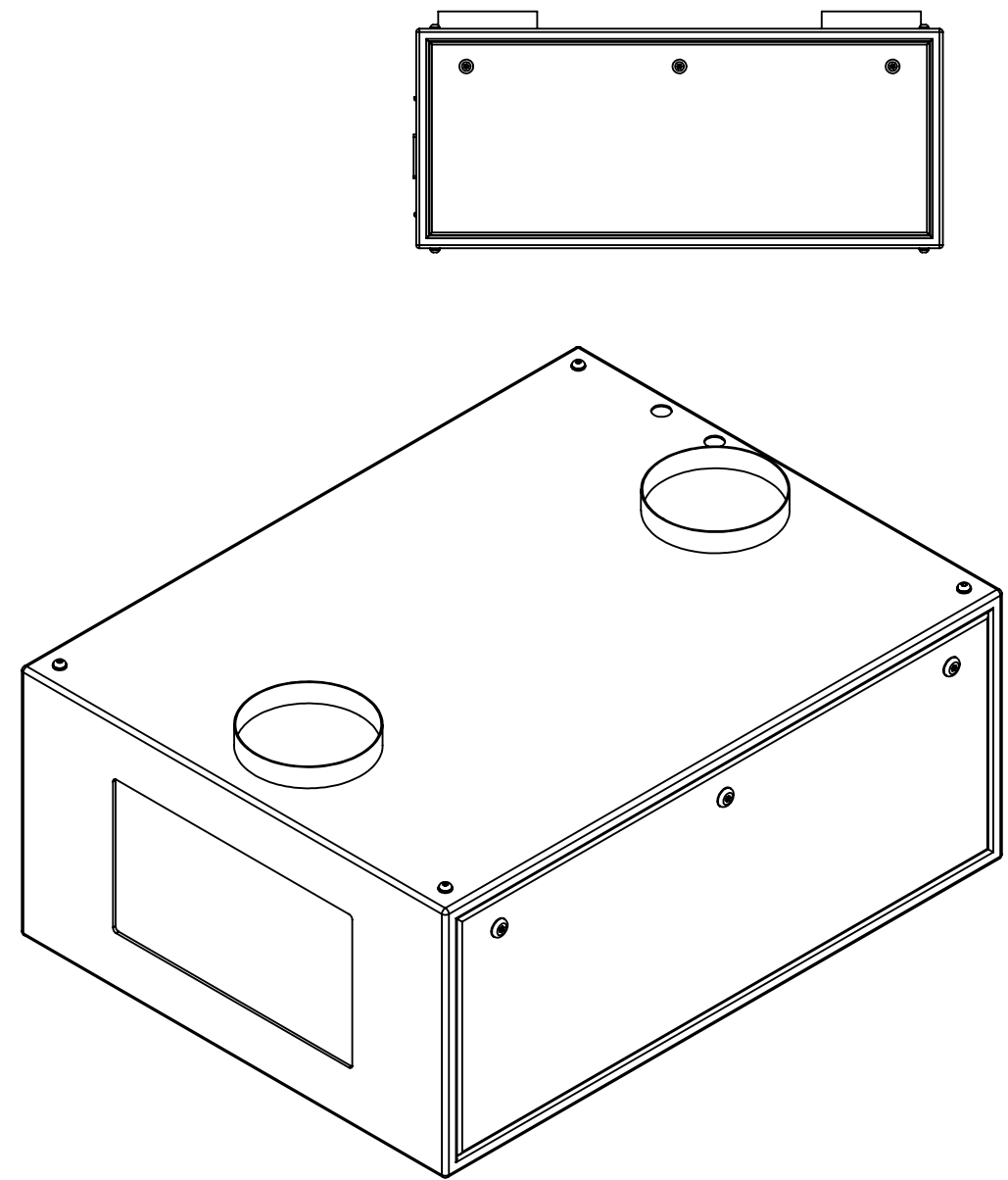


For Remote Fan
Module, see
drawing #
51.RFA.220.PWM

D
C
B
A



Dimensions are subject to change. Check with Tempest before starting any construction work.


UNLESS OTHERWISE SPECIFIED:
 DIMENSIONS ARE IN INCHES
 TOLERANCES:
 FRACTIONAL \pm
 ANGULAR: MACH \pm BEND \pm
 TWO PLACE DECIMAL \pm
 THREE PLACE DECIMAL \pm
 INTERPRET GEOMETRIC
 TOLERANCING PER:

MATERIAL

FINISH

DO NOT SCALE DRAWING

	NAME	DATE
DRAWN	TB	7/7/2020
CHECKED		
ENG APPR.		
MFG APPR.		
Q.A.		
COMMENTS:		



TITLE:
Tacit 56.150 Landscape
Enclosure

SIZE B	DWG. NO. 56.150.L	REV 07
SCALE: 1:20		SHEET 1 OF 1

8 7 6 5 4 3 2 1

8 7 6 5 4 3 2 1