

For Remote Fan Module, see drawing # 51.RFA.220.PWM

D

C

B

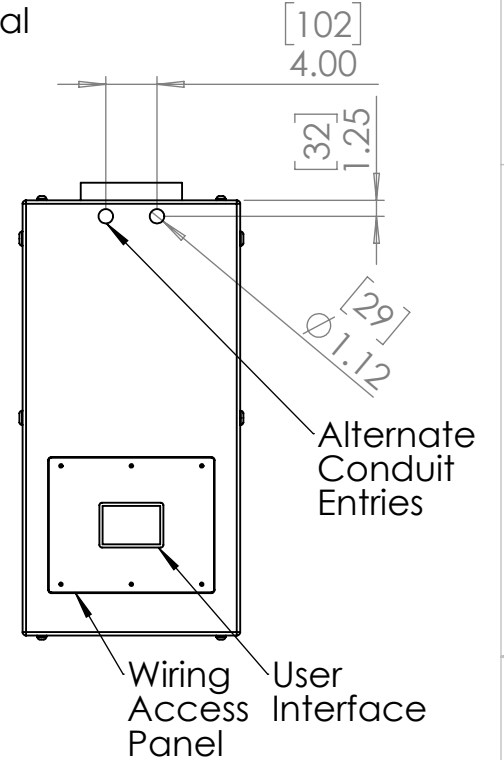
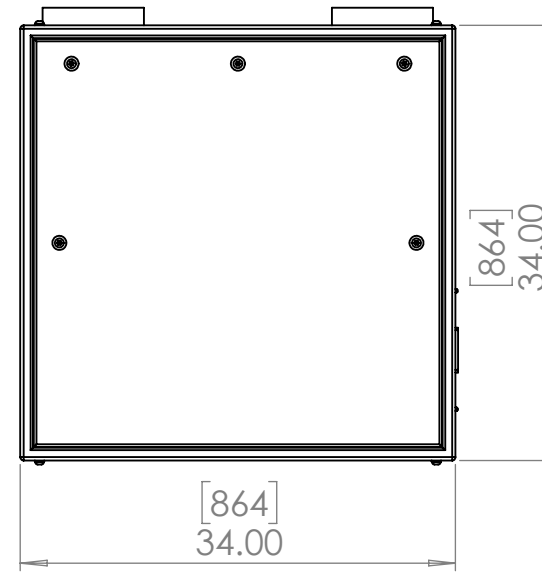
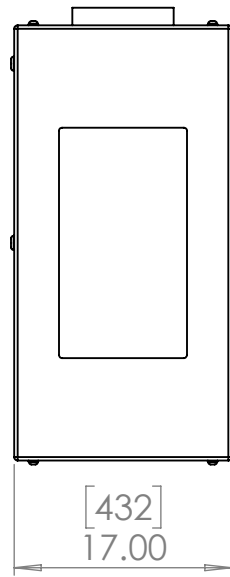
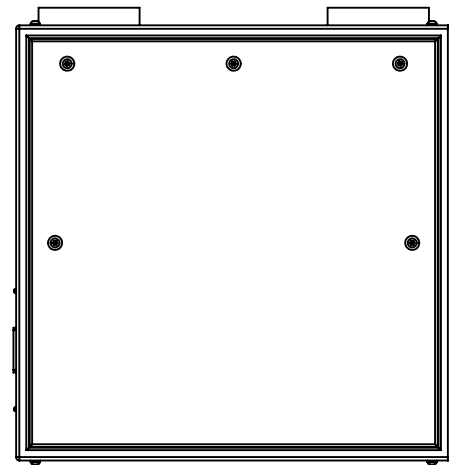
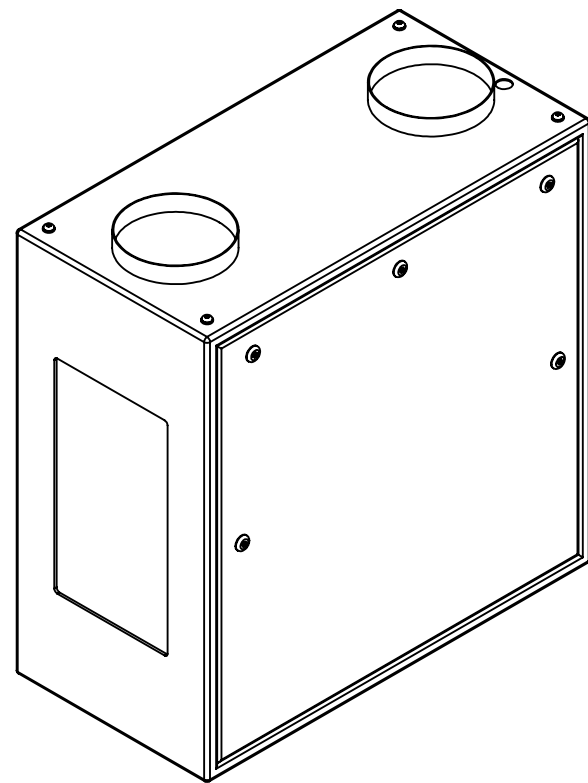
A

D

C

B

A



Inlet Duct Ring

Power and Signal Conduit Entries

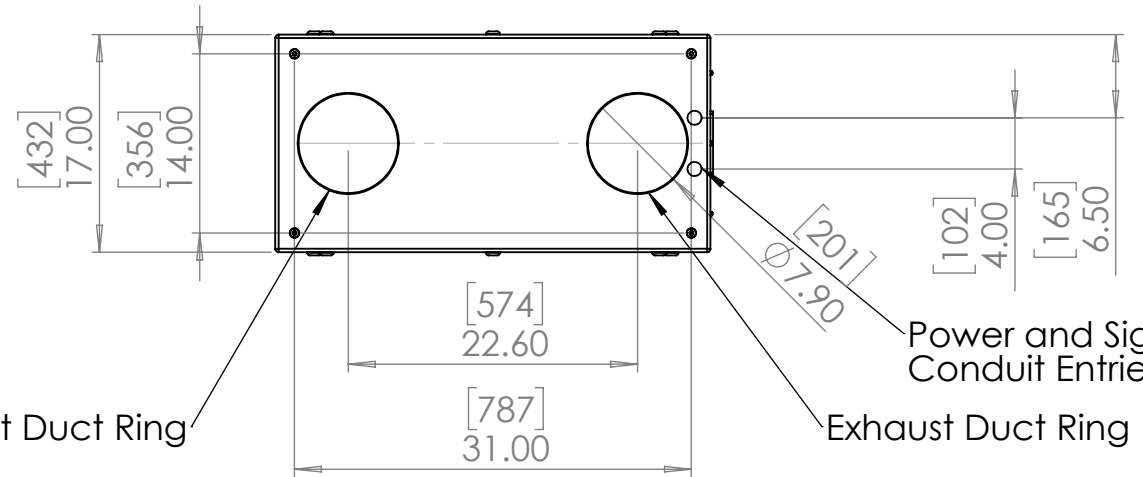
Exhaust Duct Ring

Alternate Conduit Entries

Wiring Access Panel

User Interface Panel

Rigging Points: M10-1.5, 4 places Top and Bottom



UNLESS OTHERWISE SPECIFIED:
 DIMENSIONS ARE IN INCHES
 TOLERANCES:
 FRACTIONAL ±
 ANGULAR: MACH ± BEND ±
 TWO PLACE DECIMAL ±
 THREE PLACE DECIMAL ±
 INTERPRET GEOMETRIC TOLERANCING PER:
 MATERIAL
 FINISH
 DO NOT SCALE DRAWING

	NAME	DATE
DRAWN	TB	7/7/2020
CHECKED		
ENG APPR.		
MFG APPR.		
Q.A.		
COMMENTS:		



TITLE: Tacit 56.125 Portrait Enclosure

SIZE **B** DWG. NO. 56.125.P REV 07

SCALE: 1:20 SHEET 1 OF 1

Dimensions are subject to change. Check with Tempest before starting any construction work.

8 7 6 5 4 3 2 1