

For Remote Fan
Module, see
drawing #
51.RFA.220.PWM

D

C

B

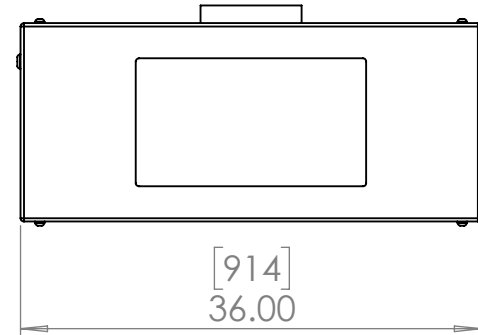
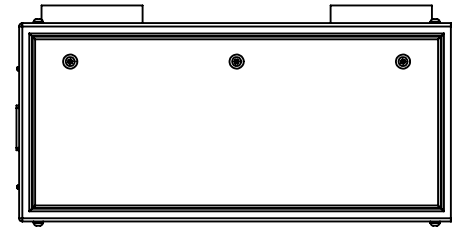
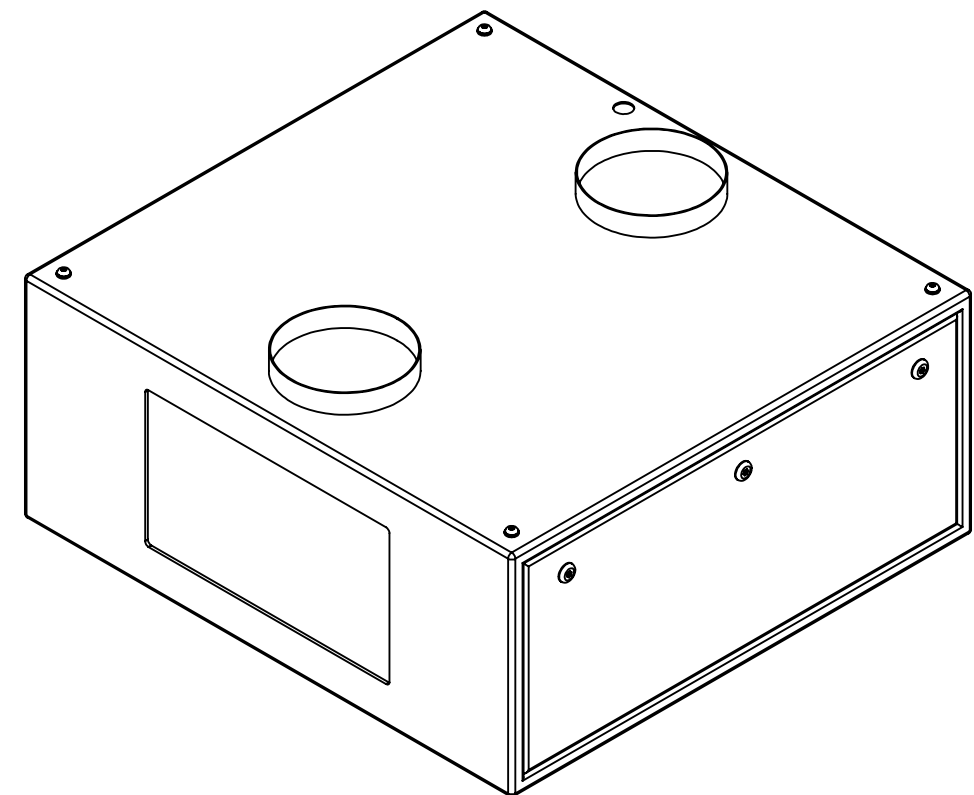
A

D

C

B

A



Inlet Duct Ring

Power and Signal
Conduit Entries

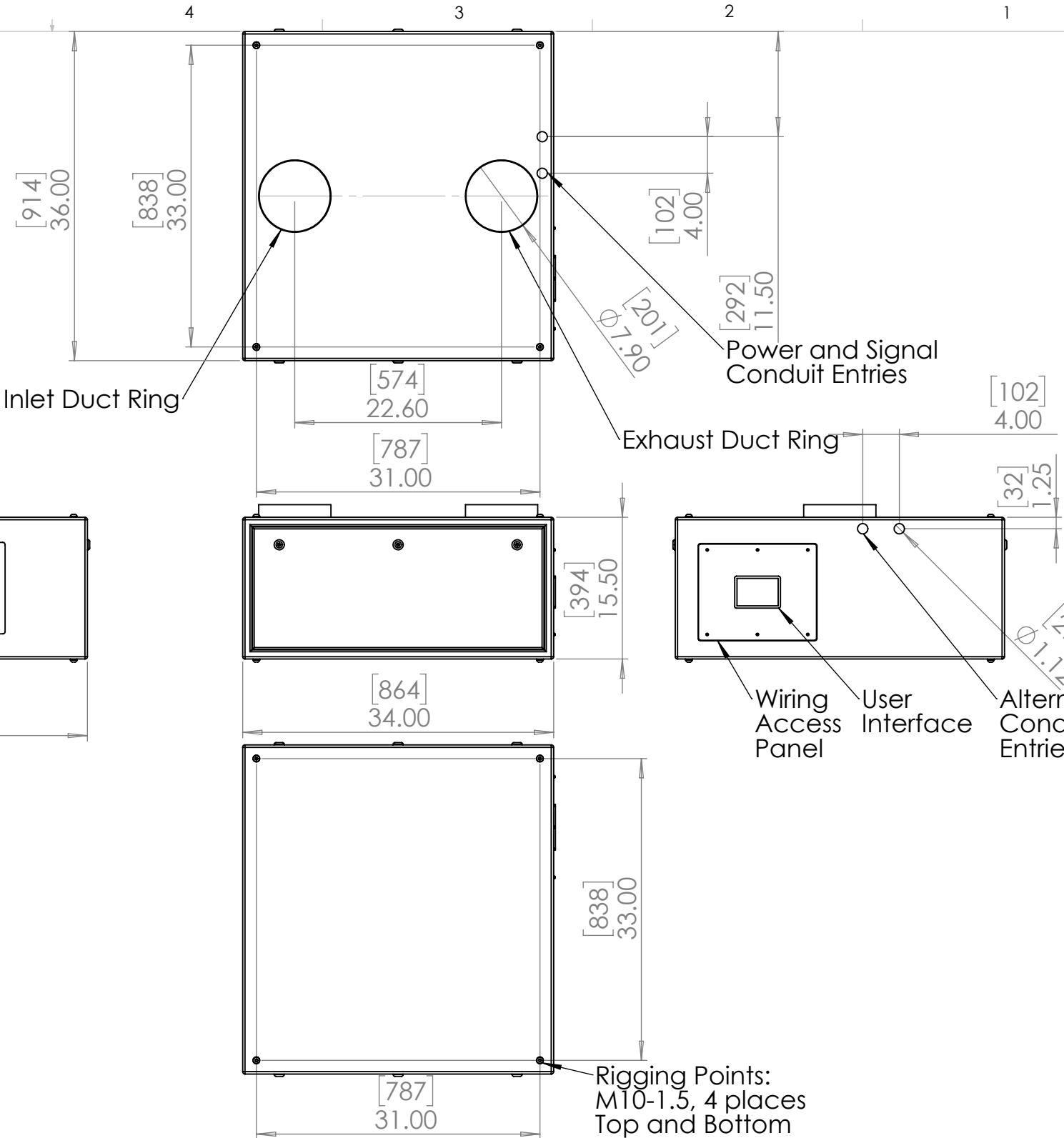
Exhaust Duct Ring

Wiring
Access
Panel

User
Interface

Alternate
Conduit
Entries

Rigging Points:
M10-1.5, 4 places
Top and Bottom



UNLESS OTHERWISE SPECIFIED:
DIMENSIONS ARE IN INCHES
TOLERANCES:
FRACTIONAL ±
ANGULAR: MACH ± BEND ±
TWO PLACE DECIMAL ±
THREE PLACE DECIMAL ±
INTERPRET GEOMETRIC
TOLERANCING PER:
MATERIAL
FINISH
DO NOT SCALE DRAWING

	NAME	DATE
DRAWN	TB	7/7/2020
CHECKED		
ENG APPR.		
MFG APPR.		
Q.A.		
COMMENTS:		



TITLE:
Tacit 56.125 Landscape
Enclosure

SIZE	DWG. NO.	REV
B	56.125.L	07
SCALE: 1:20		SHEET 1 OF 1

Dimensions are subject to change. Check with Tempest before starting any construction work.

8

7

6

5

4

3

2

1