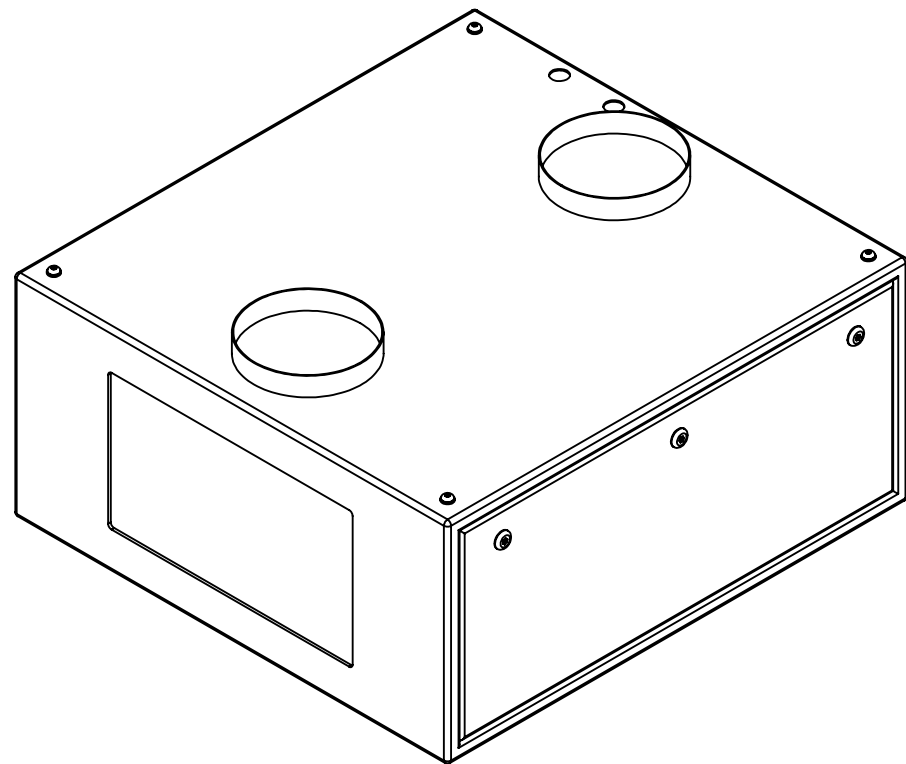
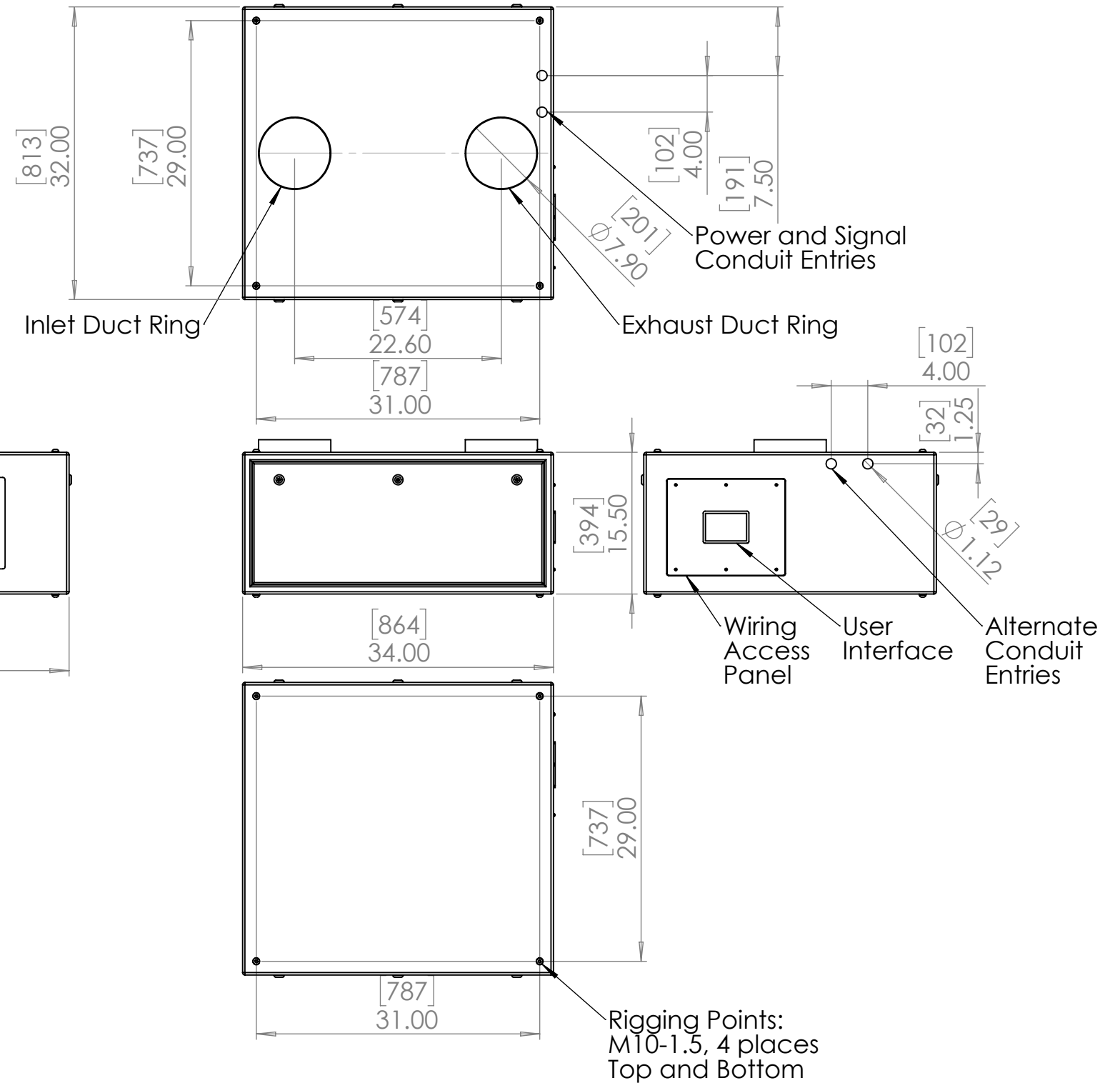


For Remote Fan
Module, see drawing #
51.RFA.220.PWM



Dimensions are subject to change. Check with Tempest before starting any construction work.

UNLESS OTHERWISE SPECIFIED:
DIMENSIONS ARE IN INCHES
TOLERANCES:
FRACTIONAL \pm
ANGULAR: MACH \pm BEND \pm
TWO PLACE DECIMAL \pm
THREE PLACE DECIMAL \pm
INTERPRET GEOMETRIC
TOLERANCING PER:
MATERIAL
FINISH
DO NOT SCALE DRAWING

	NAME	DATE
DRAWN	TB	7/7/2020
CHECKED		
ENG APPR.		
MFG APPR.		
Q.A.		
COMMENTS:		

TEMPEST
lighting inc.

TITLE:
Tacit 56.100 Landscape
Enclosure

SIZE B	DWG. NO. 56.100.L	REV 07
SCALE: 1:20		SHEET 1 OF 1