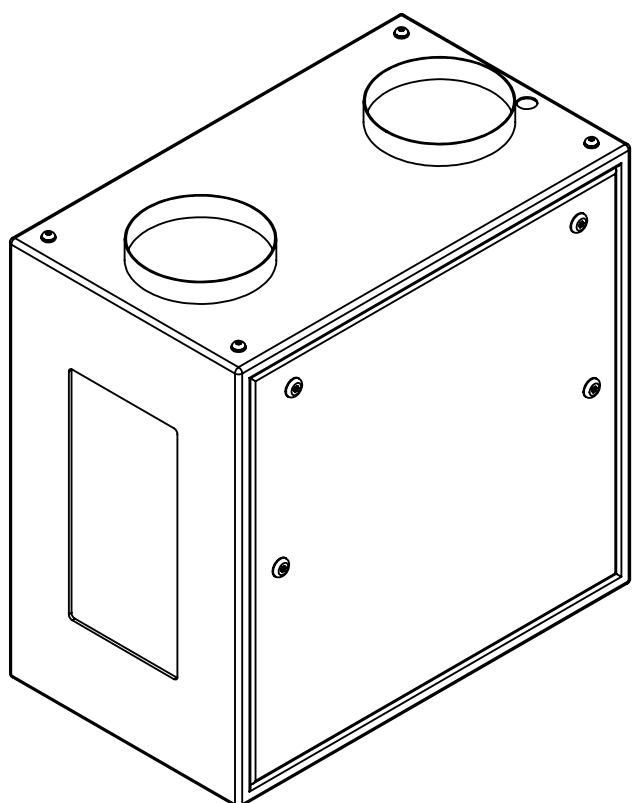
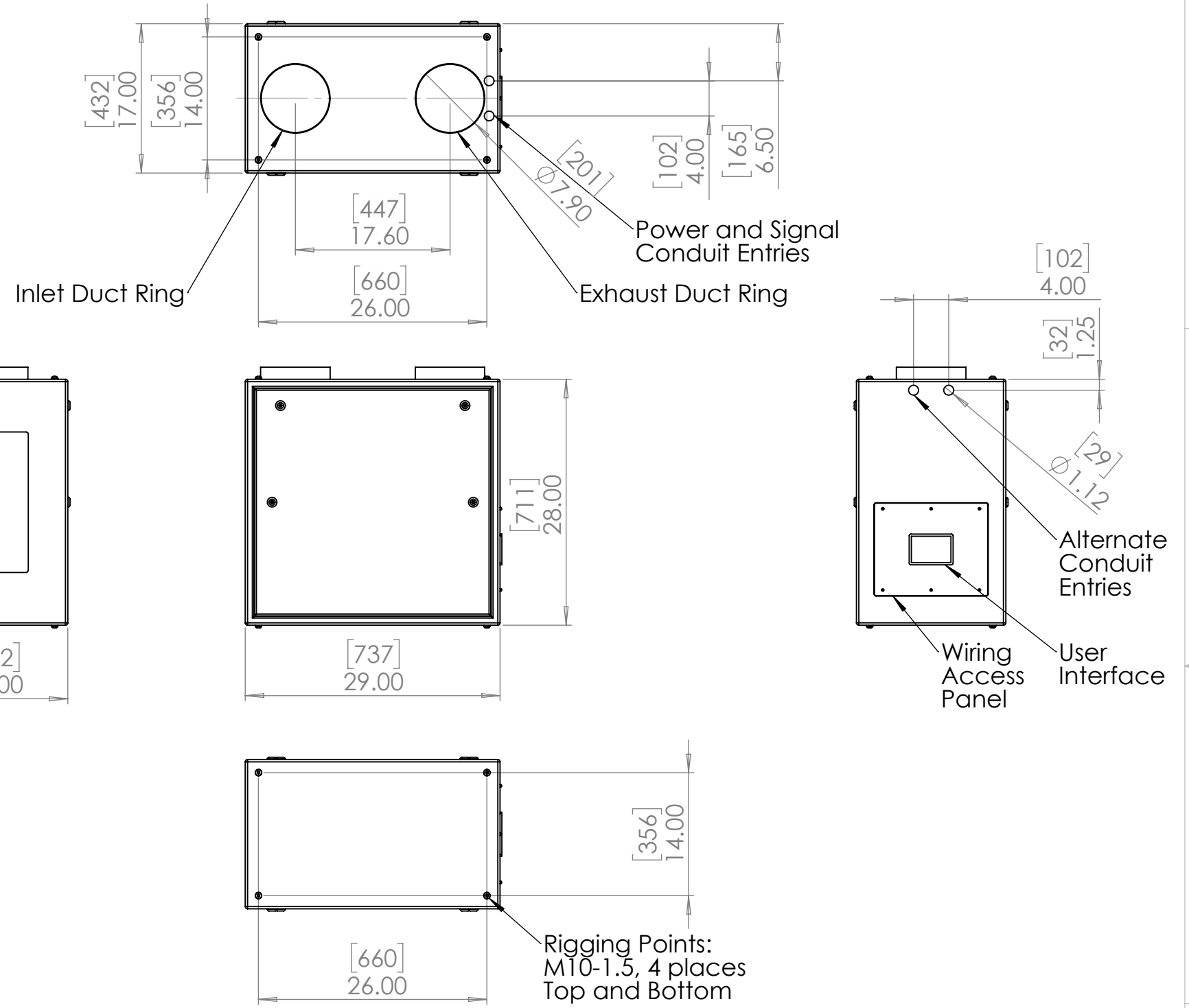


For Remote Fan Module, see drawing # 51.RFA.220.PWM



Dimensions are subject to change. Check with Tempest before starting any construction work.

UNLESS OTHERWISE SPECIFIED:
 DIMENSIONS ARE IN INCHES
 TOLERANCES:
 FRACTIONAL ±
 ANGULAR: MACH ± BEND ±
 TWO PLACE DECIMAL ±
 THREE PLACE DECIMAL ±
 INTERPRET GEOMETRIC TOLERANCING PER:
 MATERIAL
 FINISH
 DO NOT SCALE DRAWING

	NAME	DATE
DRAWN	TB	7/7/2020
CHECKED		
ENG APPR.		
MFG APPR.		
Q.A.		
COMMENTS:		

TEMPEST
lighting inc.

TITLE: Tacit 56.050 Portrait Enclosure

SIZE B	DWG. NO. 56.050.P	REV 07
SCALE: 1:20		SHEET 1 OF 1