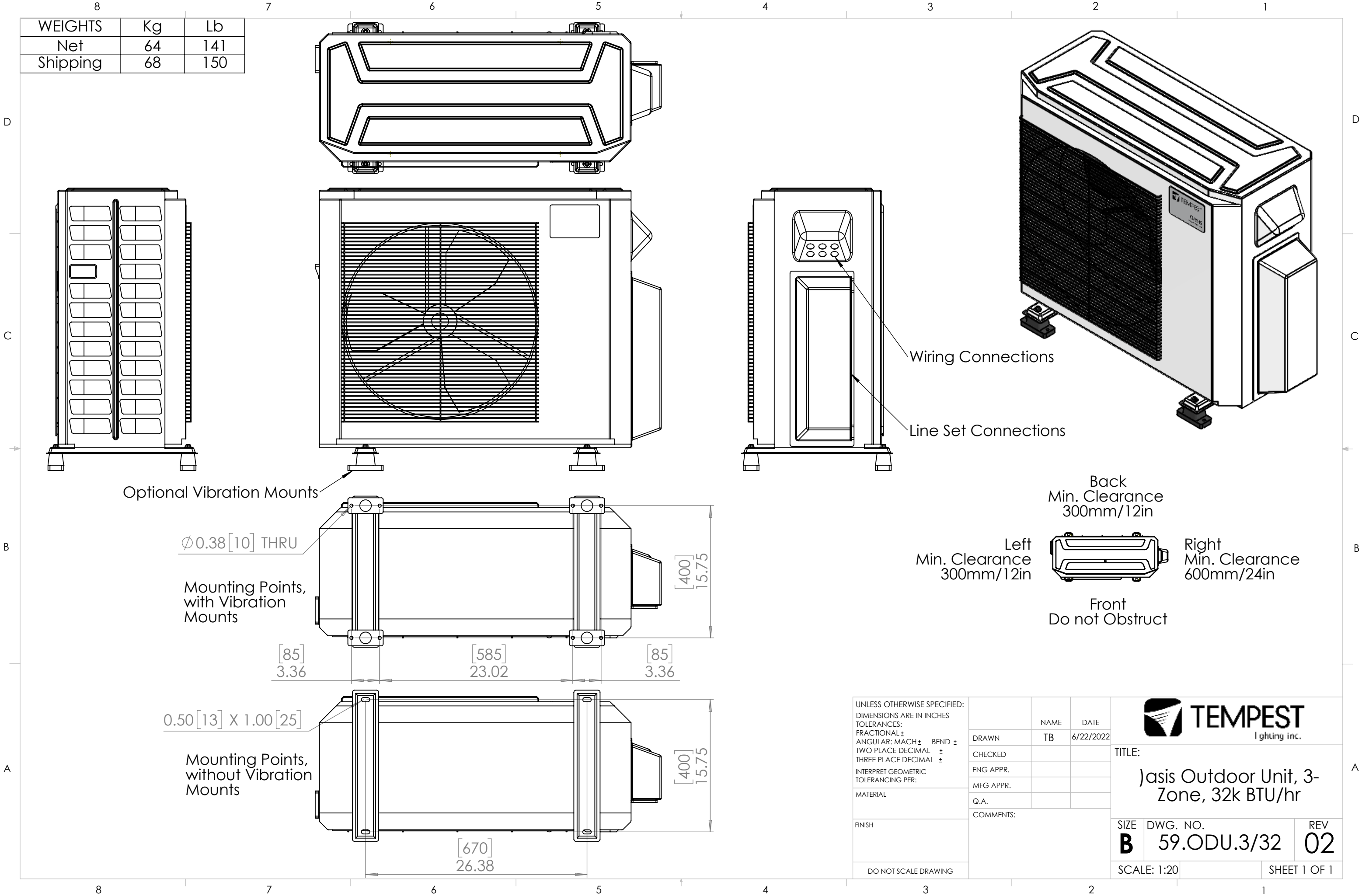


WEIGHTS	Kg	Lb
Net	64	141
Shipping	68	150



Ø0.38 [10] THRU

Mounting Points, with Vibration Mounts

0.50 [13] X 1.00 [25]

Mounting Points, without Vibration Mounts

Wiring Connections

Line Set Connections

Back Min. Clearance 300mm/12in

Left Min. Clearance 300mm/12in

Right Min. Clearance 600mm/24in

Front Do not Obstruct

[85] 3.36

[585] 23.02

[85] 3.36

[400] 15.75

[400] 15.75

[670] 26.38

UNLESS OTHERWISE SPECIFIED:
 DIMENSIONS ARE IN INCHES
 TOLERANCES:
 FRACTIONAL: ±
 ANGULAR: MACH ± BEND ±
 TWO PLACE DECIMAL ±
 THREE PLACE DECIMAL ±
 INTERPRET GEOMETRIC TOLERANCING PER:
 MATERIAL
 FINISH
 DO NOT SCALE DRAWING

	NAME	DATE
DRAWN	TB	6/22/2022
CHECKED		
ENG APPR.		
MFG APPR.		
Q.A.		
COMMENTS:		



TITLE:
 Oasis Outdoor Unit, 3-Zone, 32k BTU/hr

SIZE	DWG. NO.	REV
B	59.ODU.3/32	02

SCALE: 1:20 SHEET 1 OF 1