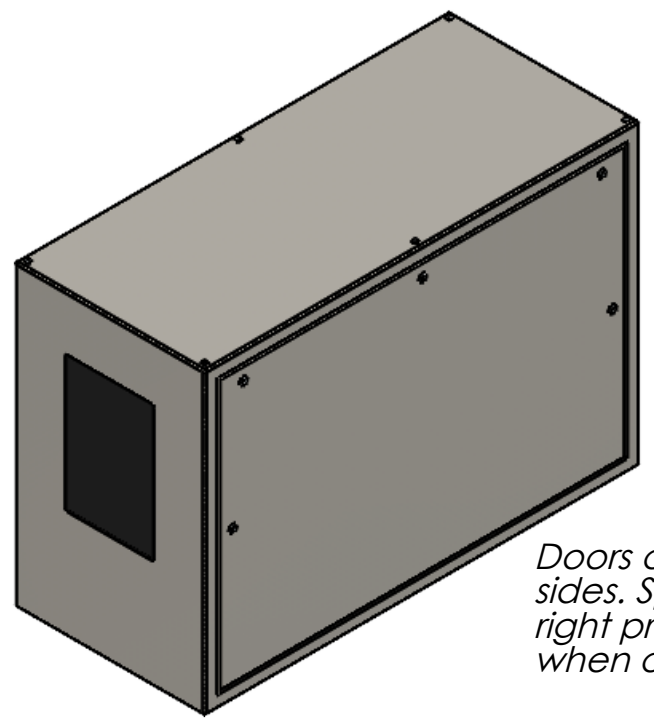
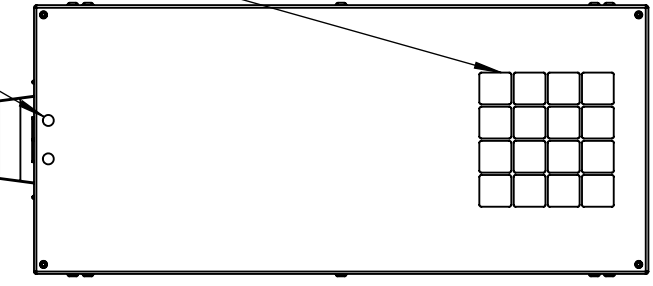
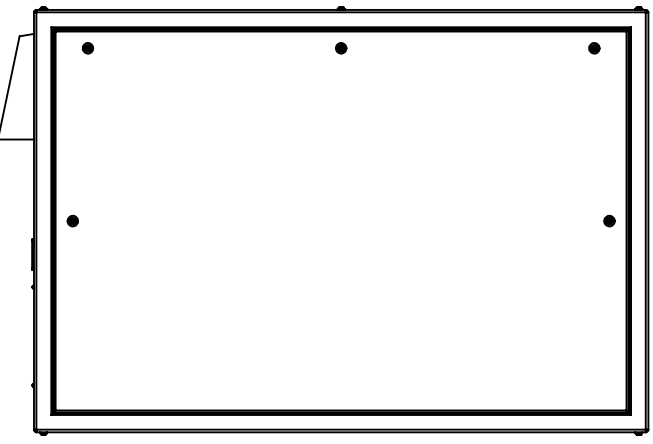
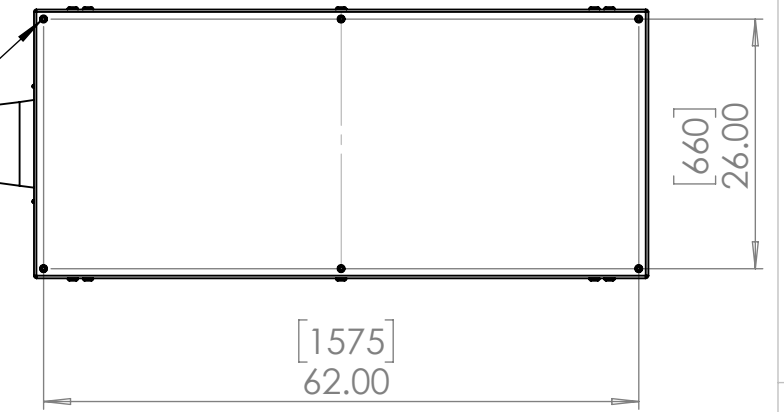
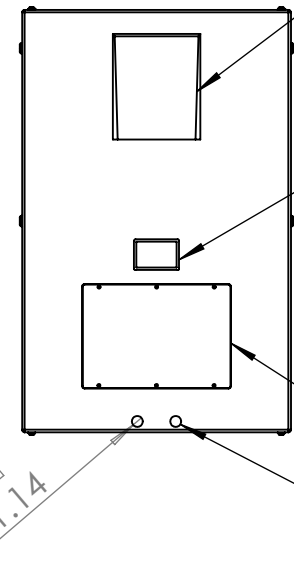
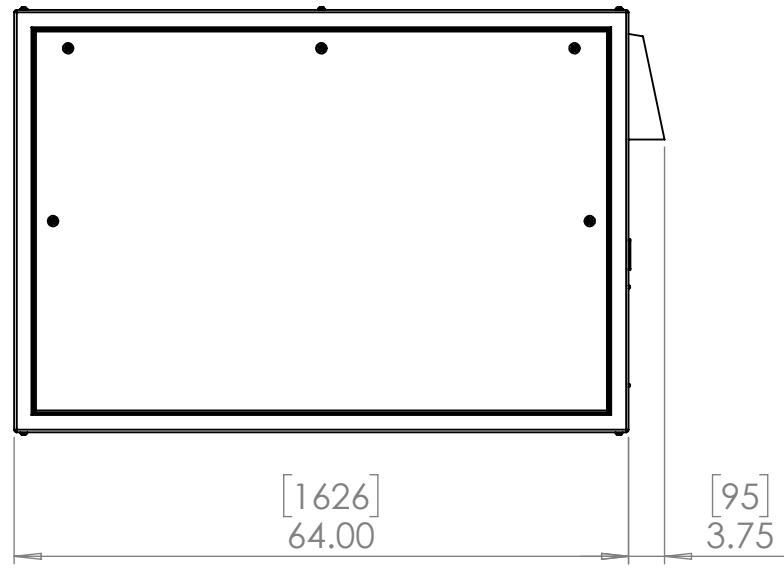
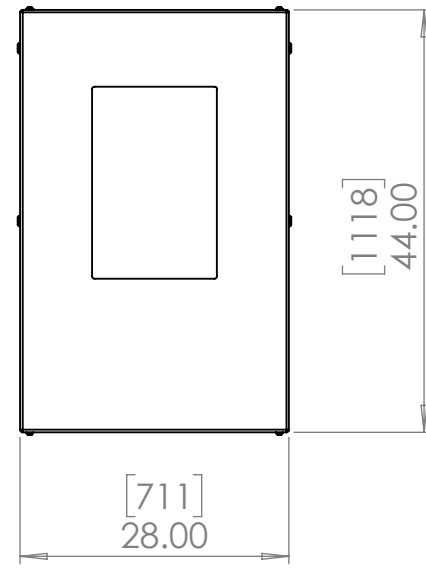


8 7 6 5 4 3 2 1

D  
C  
B  
A




*Doors open both sides. Specify left or right projector slide when ordering.*

*Dimensions are subject to change. Check with Tempest before starting any construction work.*

UNLESS OTHERWISE SPECIFIED:  
 DIMENSIONS ARE IN INCHES  
 TOLERANCES:  
 FRACTIONAL ±  
 ANGULAR: MACH ± BEND ±  
 TWO PLACE DECIMAL ±  
 THREE PLACE DECIMAL ±  
 INTERPRET GEOMETRIC TOLERANCING PER:  
 MATERIAL  
 Aluminum  
 FINISH  
 TBD  
 DO NOT SCALE DRAWING

|           | NAME | DATE     |
|-----------|------|----------|
| DRAWN     | TB   | 9/8/2022 |
| CHECKED   |      |          |
| ENG APPR. |      |          |
| MFG APPR. |      |          |
| Q.A.      |      |          |
| COMMENTS: |      |          |



**TEMPEST**  
lighting inc.

TITLE:  
**Cyclone 55.522 Portrait Enclosure**

|                  |                             |                  |
|------------------|-----------------------------|------------------|
| SIZE<br><b>B</b> | DWG. NO.<br><b>55.522.P</b> | REV<br><b>10</b> |
|------------------|-----------------------------|------------------|

SCALE: 1:20 SHEET 1 OF 1

8 7 6 5 4 3 2 1