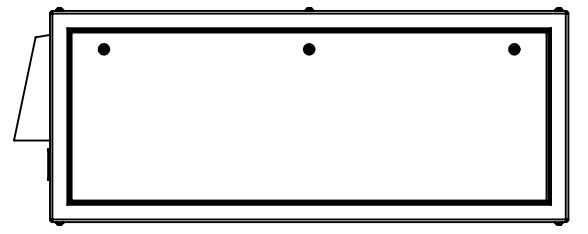
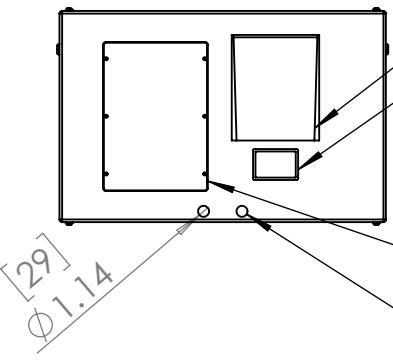
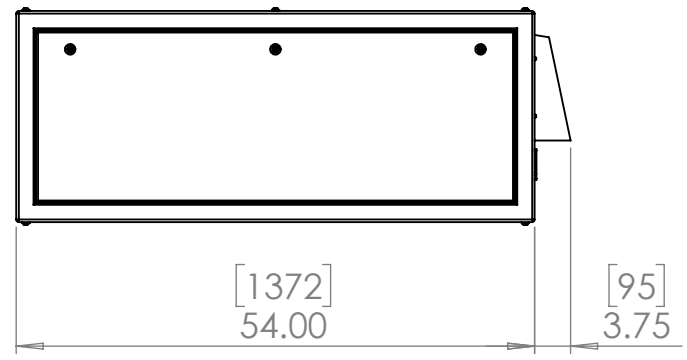
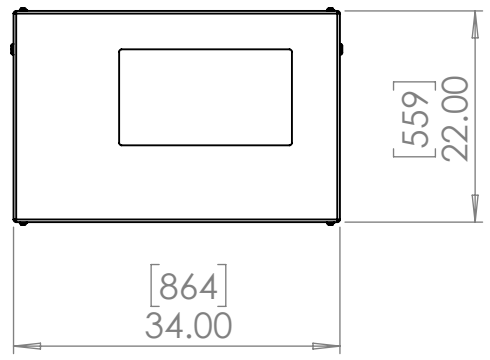
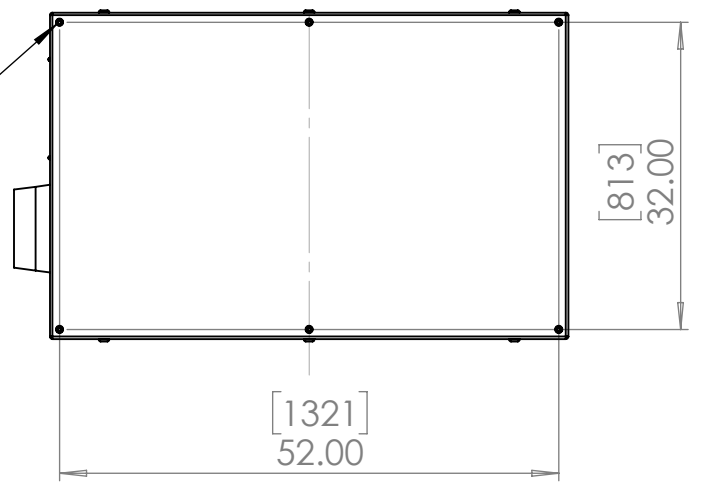


8 7 6 5 4 3 2 1

D
C
B
A

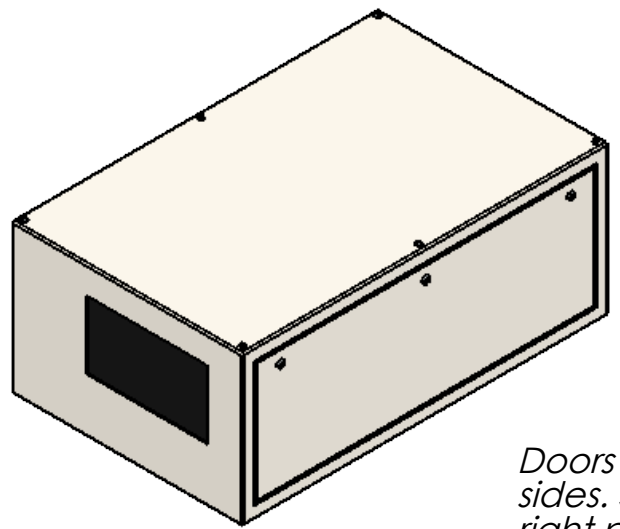
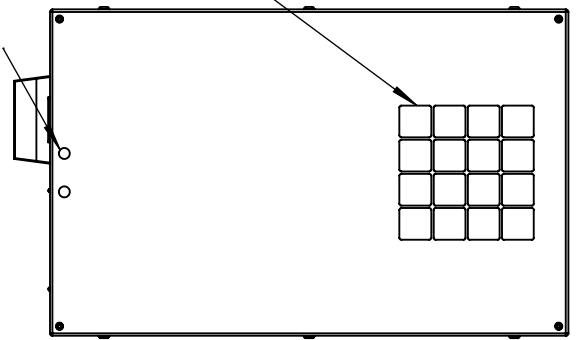
D
C
B
A

Rigging Points:
M12-1.75,
6 places Top
4 places Bottom



Inlet Filter, do not obstruct

Alternate Conduit Entries




Doors open both sides. Specify left or right projector slide when ordering.

Dimensions are subject to change. Check with Tempest before starting any construction work.

UNLESS OTHERWISE SPECIFIED:
DIMENSIONS ARE IN INCHES
TOLERANCES:
FRACTIONAL ±
ANGULAR: MACH ± BEND ±
TWO PLACE DECIMAL ±
THREE PLACE DECIMAL ±
INTERPRET GEOMETRIC TOLERANCING PER:
MATERIAL
Aluminum
FINISH
TBD
DO NOT SCALE DRAWING

	NAME	DATE
DRAWN	TB	9/8/2022
CHECKED		
ENG APPR.		
MFG APPR.		
Q.A.		
COMMENTS:		



TEMPEST
lighting inc.

TITLE:
**Cyclone 55.310
Landscape Enclosure**

SIZE B	DWG. NO. 55.310.L	REV 10
------------------	-----------------------------	------------------

SCALE: 1:20 SHEET 1 OF 1

8 7 6 5 4 3 2 1