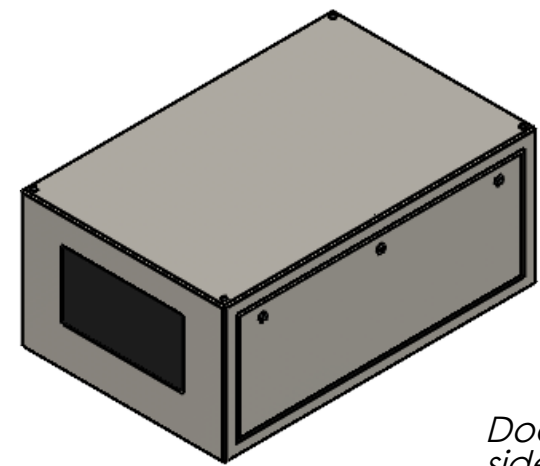
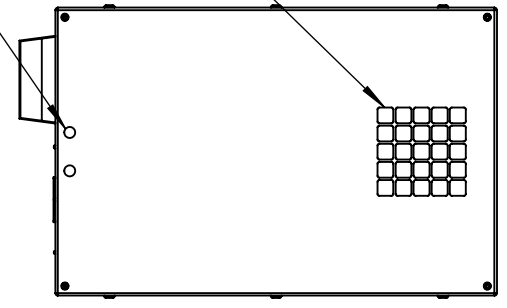
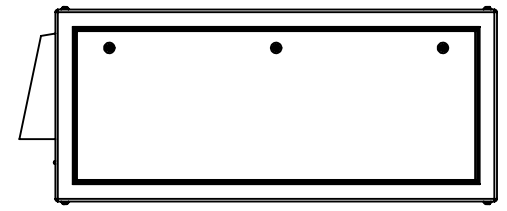
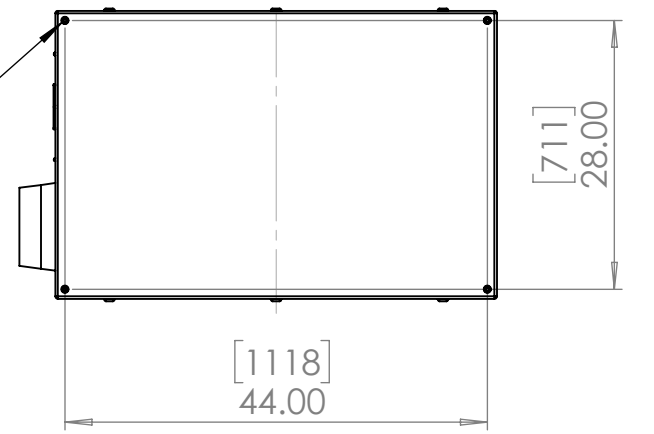
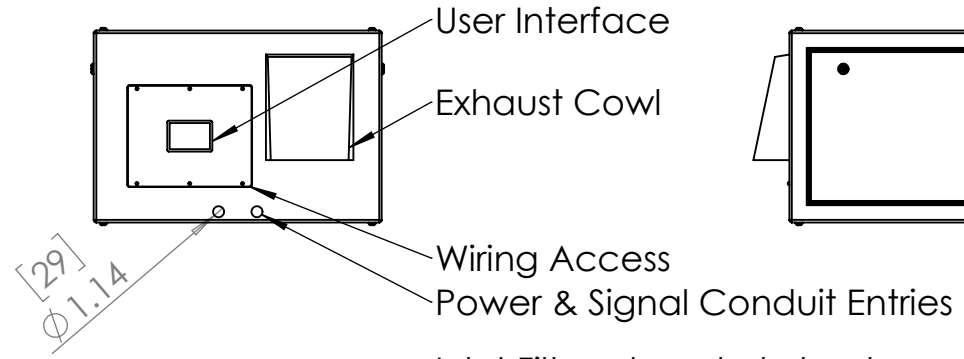
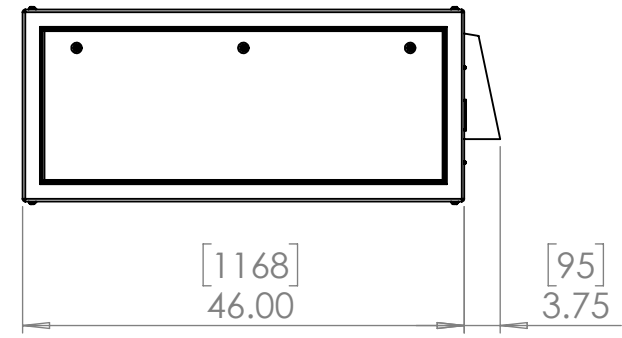
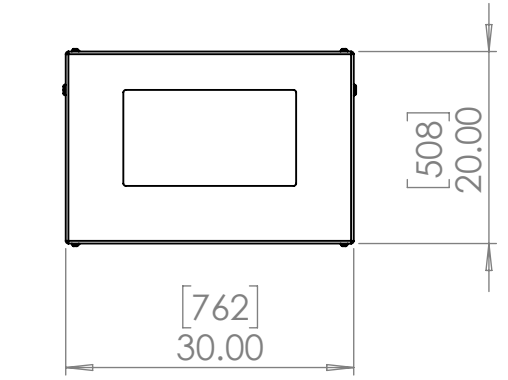


8 7 6 5 4 3 2 1

D  
C  
B  
A

D  
C  
B  
A



*Doors open both sides. Specify left or right projector slide when ordering.*

*Dimensions are subject to change. Check with Tempest before starting any construction work.*

Rigging Points:  
M12-1.75,  
4 places Top  
4 places Bottom

User Interface  
Exhaust Cowl  
Wiring Access  
Power & Signal Conduit Entries  
Inlet Filter, do not obstruct  
Alternate Conduit Entries

UNLESS OTHERWISE SPECIFIED:  
DIMENSIONS ARE IN INCHES  
TOLERANCES:  
FRACTIONAL ±  
ANGULAR: MACH ± BEND ±  
TWO PLACE DECIMAL ±  
THREE PLACE DECIMAL ±  
INTERPRET GEOMETRIC TOLERANCING PER:  
MATERIAL  
Aluminum  
FINISH  
TBD  
DO NOT SCALE DRAWING

	NAME	DATE
DRAWN	TB	9/8/2022
CHECKED		
ENG APPR.		
MFG APPR.		
Q.A.		
COMMENTS:		

<b>TITLE:</b> Cyclone 55.204 Landscape Enclosure		
<b>SIZE</b> B	<b>DWG. NO.</b> 55.204.L	<b>REV</b> 10
<b>SCALE:</b> 1:20		SHEET 1 OF 1

8 7 6 5 4 3 2 1