

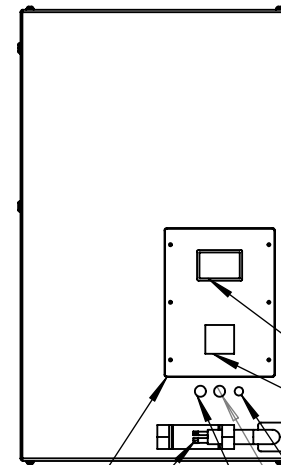
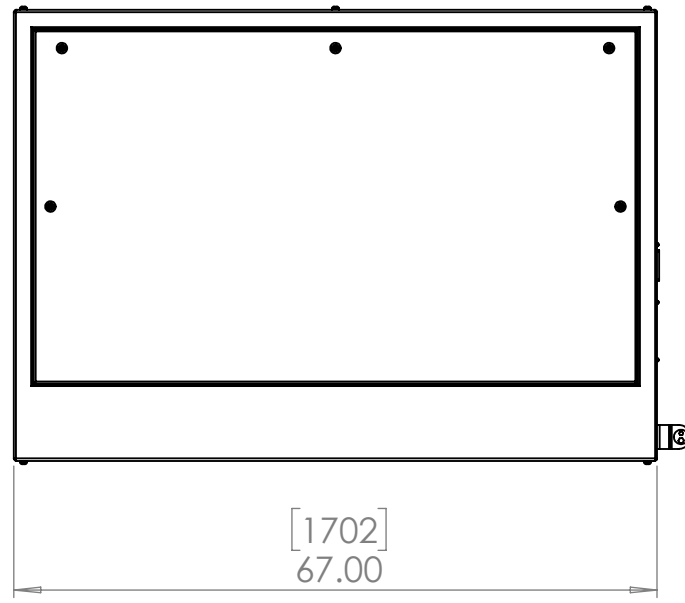
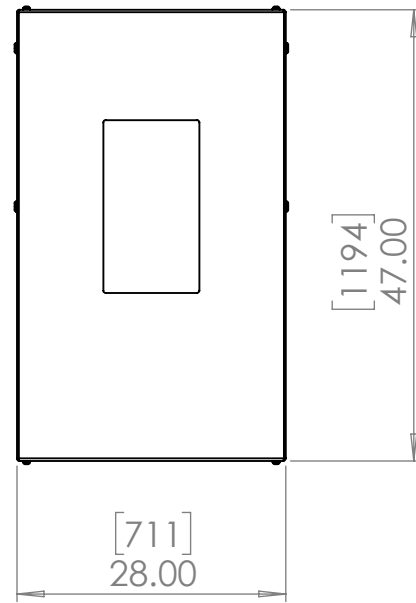
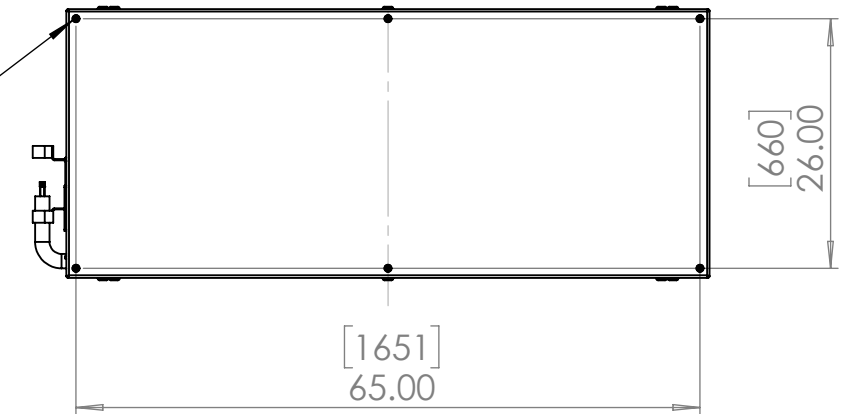
Line Set (high-pressure pipes and cooler control cable), choose from:

- 59.LS.12.03 - 3m [10ft] (default)
- 59.LS.12.05 - 5m [16ft]
- 59.LS.12.08 - 8m [25ft]
- 59.LS.12.10 - 10m [33ft]
- 59.LS.12.15 - 15m [50ft]

For single-zone systems, see ODU drawing 59.ODU.18

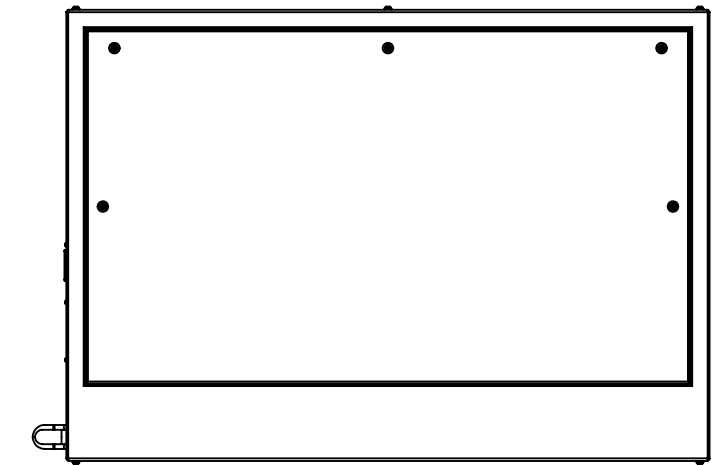
For multi-zone systems, consult Tempest for ODU specification.

Rigging Points:
M12-1.75,
6 Places Top
4 Places Bottom

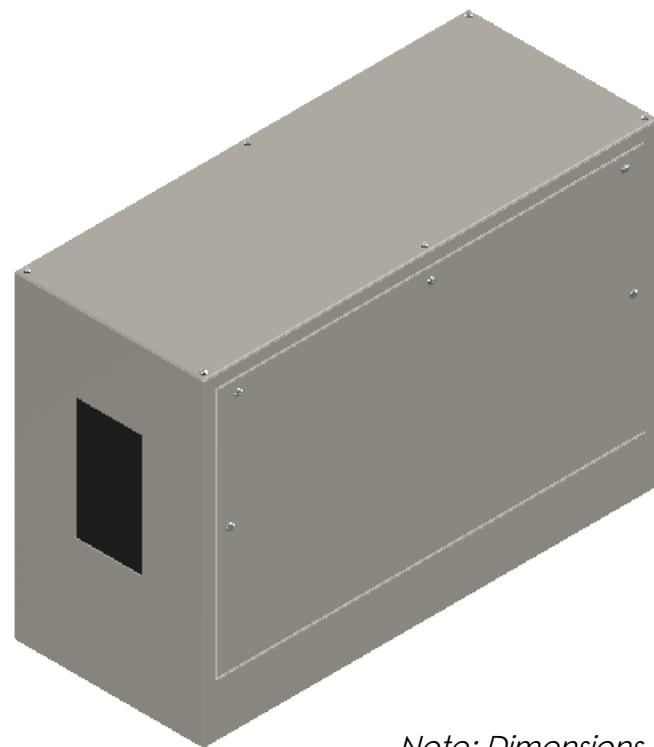


User Interface
Cooler Display
Cooler Control Cable
Wiring Access
Line Set Flare Nuts
Power & Signal Conduit Entries

Ø 1.14
29



89
3.50



Note: Dimensions subject to change without notice; check with Tempest before construction.

UNLESS OTHERWISE SPECIFIED:
DIMENSIONS ARE IN INCHES
TOLERANCES:
FRACTIONAL ±
ANGULAR: MACH ± BEND ±
TWO PLACE DECIMAL ±
THREE PLACE DECIMAL ±
INTERPRET GEOMETRIC TOLERANCING PER:
MATERIAL
Aluminum
FINISH
TBD

	NAME	DATE
DRAWN	TB	8/2/2022
CHECKED		
ENG APPR.		
MFG APPR.		
Q.A.		
COMMENTS:		



TITLE: Oasis 525 Portrait Enclosure (18k)		
SIZE B	DWG. NO. 59.525.P	REV 02
SCALE: 1:20		SHEET 1 OF 1

DO NOT SCALE DRAWING