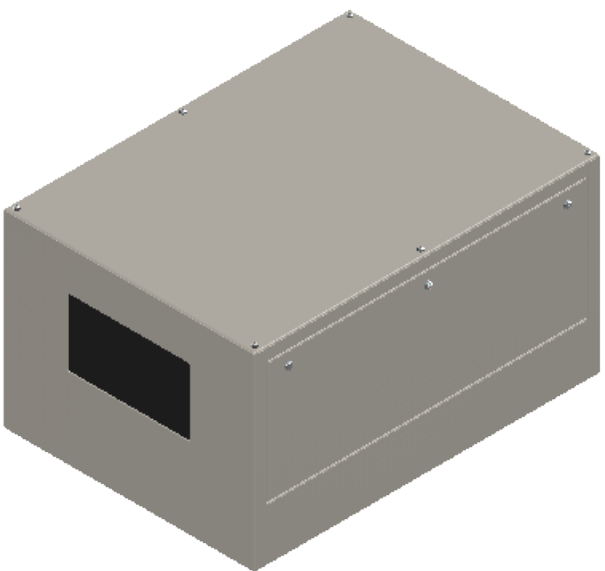
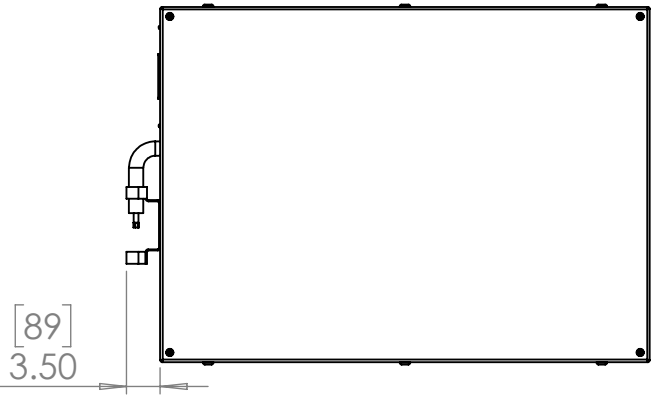
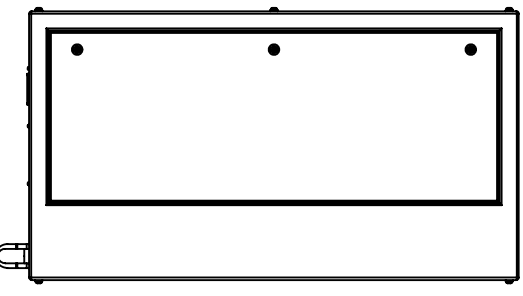
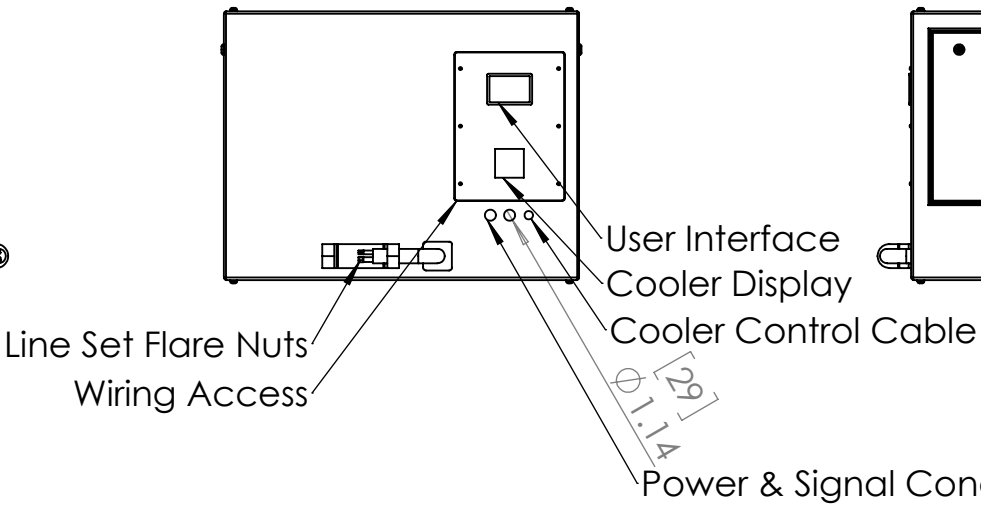
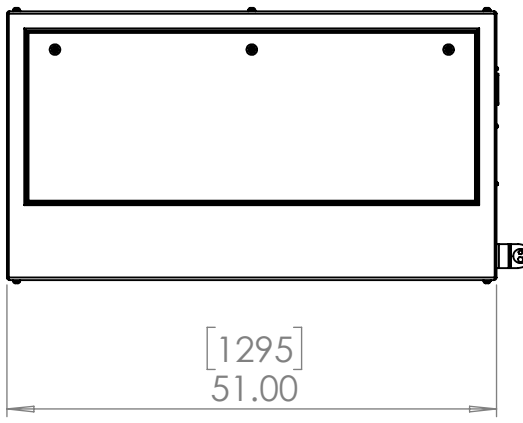
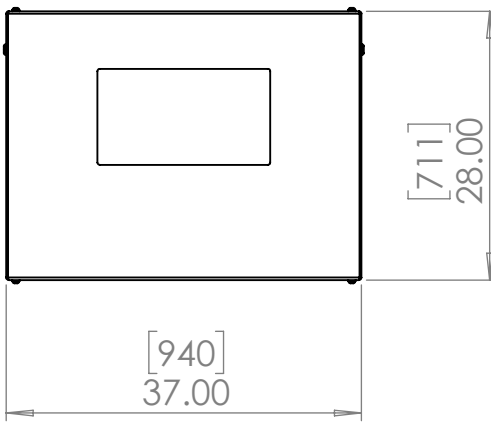
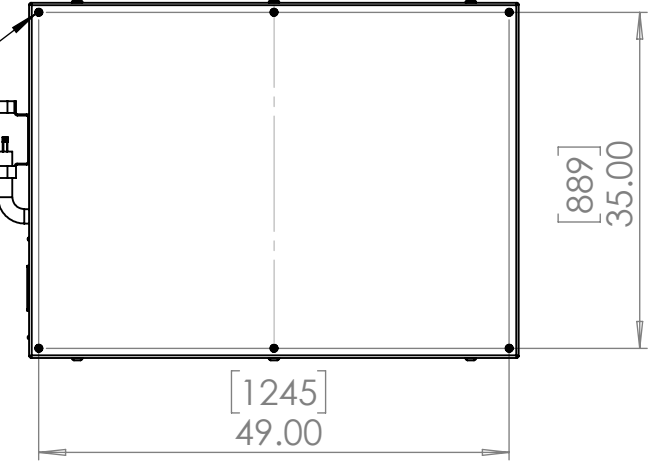


Line Set (high-pressure pipes and cooler control cable), choose from:

- 59.LS.12.03 - 3m [10ft] [ ] (default)
- 59.LS.12.05 - 5m [16ft] [ ]
- 59.LS.12.08 - 8m [25ft] [ ]
- 59.LS.12.10 - 10m [33ft] [ ]
- 59.LS.12.15 - 15m [50ft] [ ]

For single-zone systems, see ODU drawing 59.ODU.12  
 For multi-zone systems, consult Tempest for ODU specification.

Rigging Points:  
 M12-1.75,  
 6 places Top  
 4 Places Bottom



Note: Dimensions subject to change without notice; check with Tempest before construction.

UNLESS OTHERWISE SPECIFIED:  
 DIMENSIONS ARE IN INCHES  
 TOLERANCES:  
 FRACTIONAL ±  
 ANGULAR: MACH ± BEND ±  
 TWO PLACE DECIMAL ±  
 THREE PLACE DECIMAL ±  
 INTERPRET GEOMETRIC TOLERANCING PER:  
 MATERIAL  
 Aluminum  
 FINISH  
 TBD  
 DO NOT SCALE DRAWING

	NAME	DATE
DRAWN	TB	8/2/2022
CHECKED		
ENG APPR.		
MFG APPR.		
Q.A.		
COMMENTS:		

**TEMPEST**  
lighting inc.

TITLE:  
**Oasis 250 Landscape Enclosure (12k)**

SIZE <b>B</b>	DWG. NO. <b>59.250.L</b>	REV <b>02</b>
SCALE: 1:20		SHEET 1 OF 1