

8 7 6 5 4 3 2 1

D

C

B

A

D

C

B

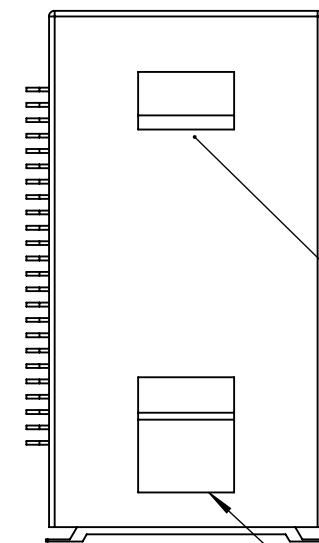
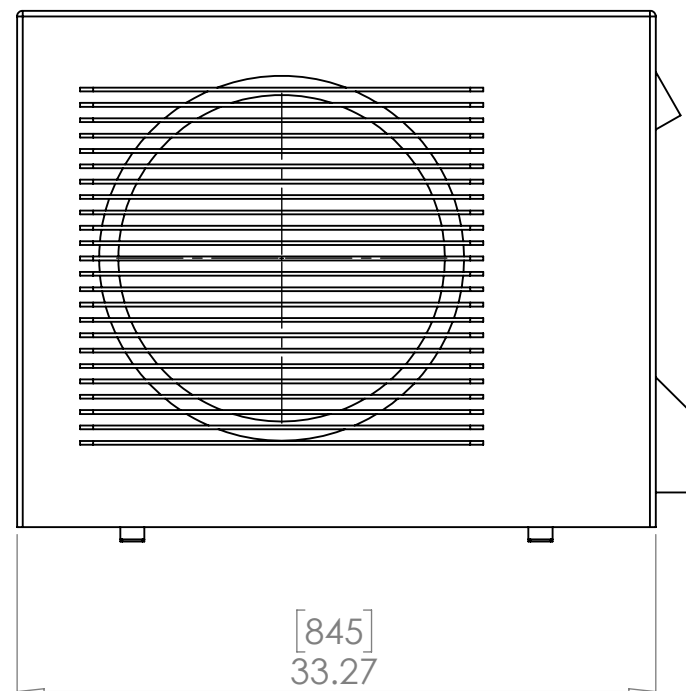
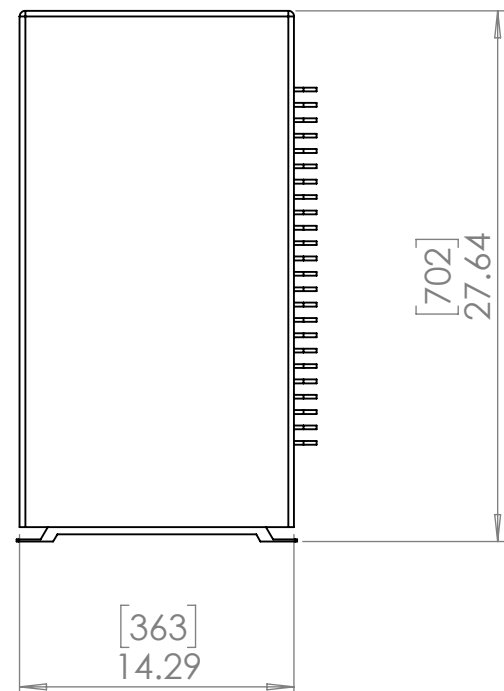
A

Airflow Clearance Back 12" [305]

Airflow Clearance Left 12" [300]

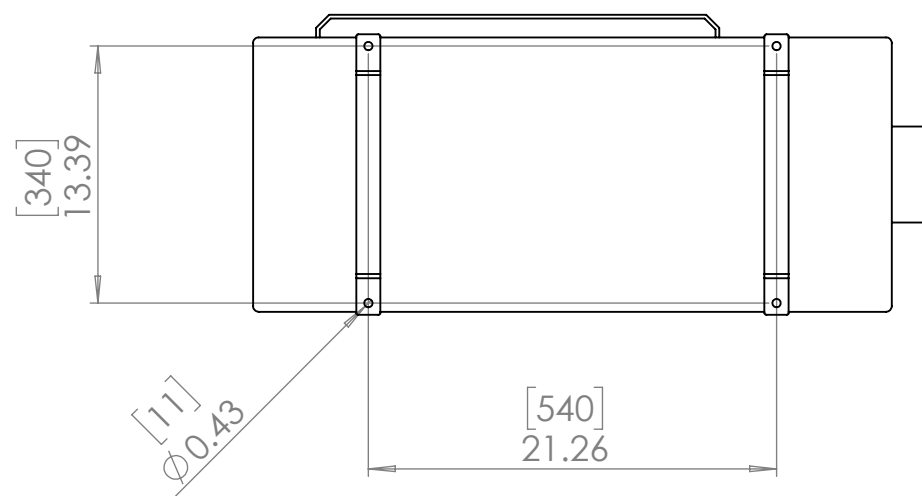
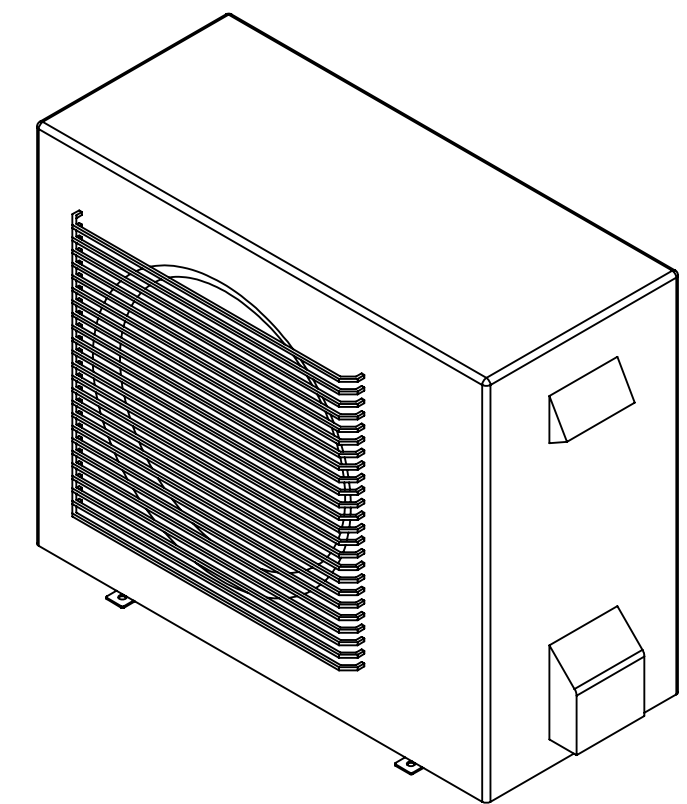
Airflow Clearance Right 24" [600]

Airflow Clearance Front 80" [2000]



Wiring Connections

Line Set Connections



UNLESS OTHERWISE SPECIFIED:
 DIMENSIONS ARE IN INCHES
 TOLERANCES:
 FRACTIONAL: ±
 ANGULAR: MACH ± BEND ±
 TWO PLACE DECIMAL ±
 THREE PLACE DECIMAL ±
 INTERPRET GEOMETRIC TOLERANCING PER:

	NAME	DATE
DRAWN	TB	6/16/2022
CHECKED		
ENG APPR.		
MFG APPR.		
Q.A.		
COMMENTS:		



TITLE: Oasis 18k Outdoor Unit

SIZE	DWG. NO.	REV
B	59.YN018GMFI22RPD	01

SCALE: 1:10 SHEET 1 OF 1

8 7 6 5 4 3 2 1

DO NOT SCALE DRAWING