

8 7 6 5 4 3 2 1

D

C

B

A

D

C

B

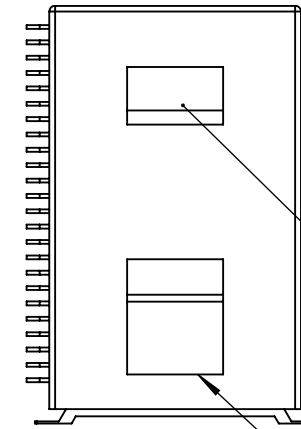
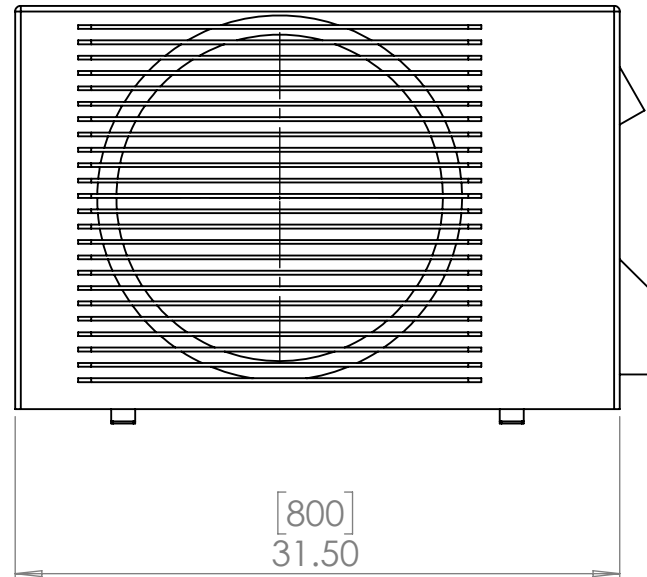
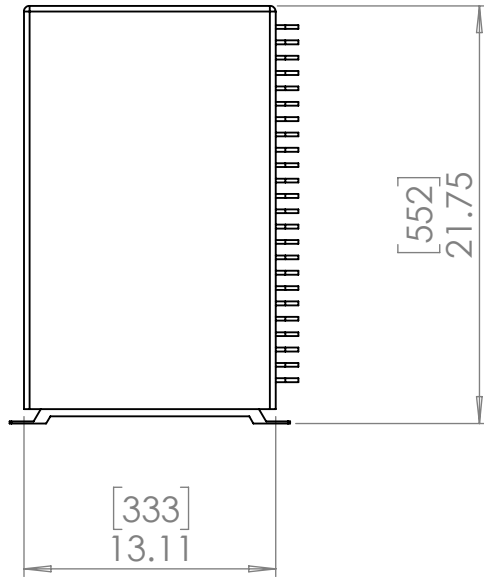
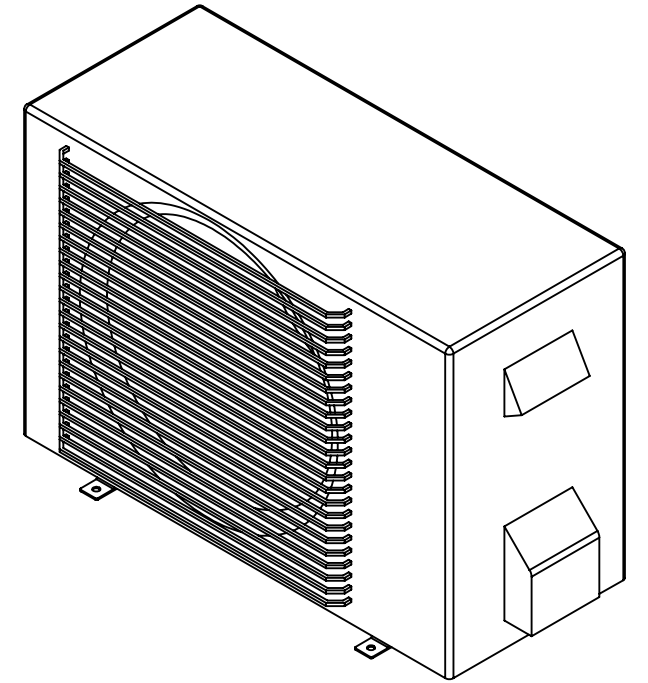
A

Airflow Clearance Back 12" [305]

Airflow Clearance
Left 12" [300]

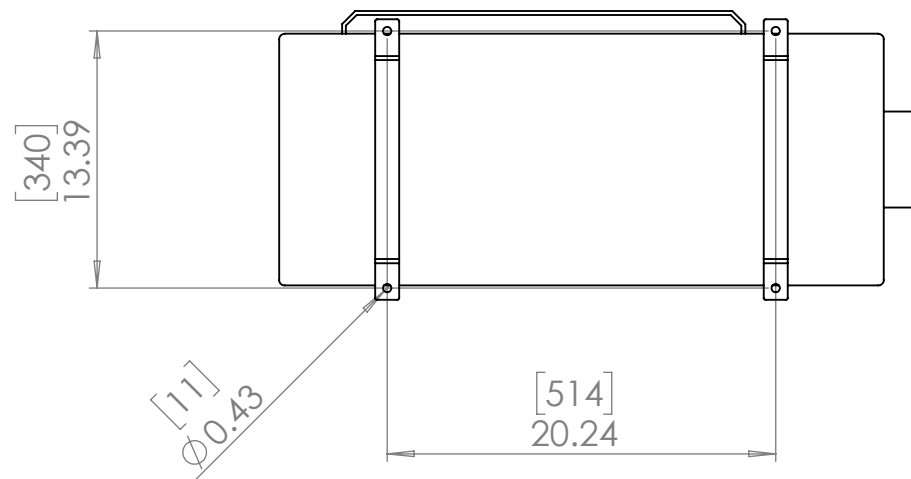
Airflow Clearance
Right 24" [600]

Airflow Clearance Front 80" [2000]



Wiring Connections

Line Set Connections



UNLESS OTHERWISE SPECIFIED:
DIMENSIONS ARE IN INCHES
TOLERANCES:
FRACTIONAL ±
ANGULAR: MACH ± BEND ±
TWO PLACE DECIMAL ±
THREE PLACE DECIMAL ±
INTERPRET GEOMETRIC
TOLERANCING PER:
MATERIAL
FINISH
DO NOT SCALE DRAWING

	NAME	DATE
DRAWN	TB	6/16/2022
CHECKED		
ENG APPR.		
MFG APPR.		
Q.A.		
COMMENTS:		



TITLE:
Oasis 12k Outdoor Unit

SIZE	DWG. NO.	REV
B	59.YN012GMFI22RPD	01

SCALE: 1:10 SHEET 1 OF 1

8 7 6 5 4 3 2 1