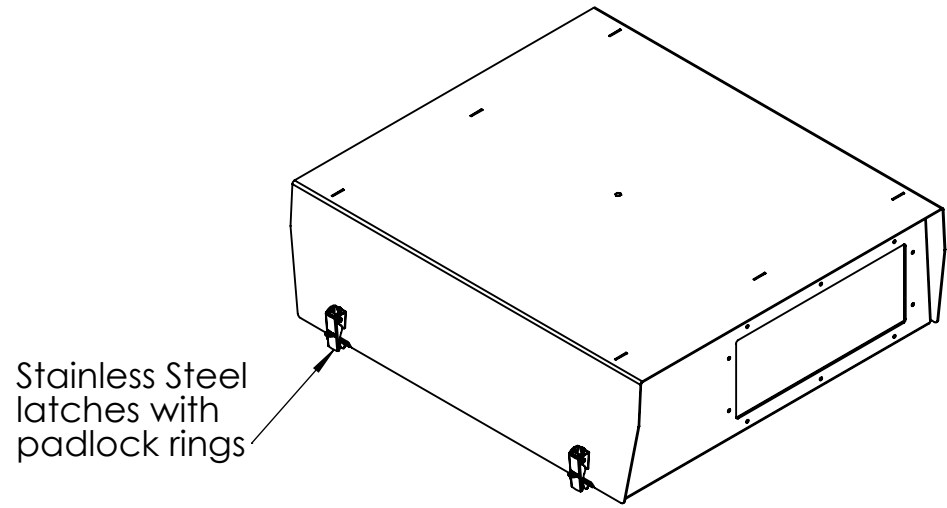


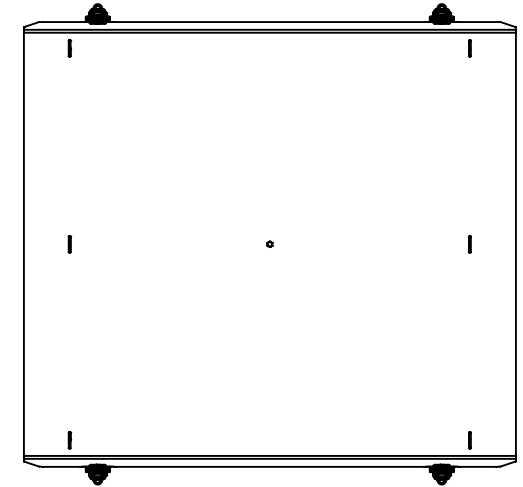
8 7 6 5 4 3 2 1

D

D

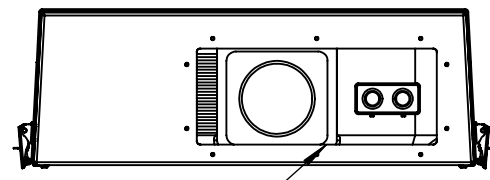


Stainless Steel latches with padlock rings



C

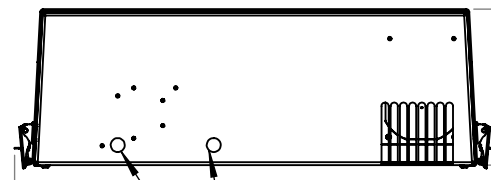
C



Port Glass width permits use of Epson camera



[781]
30.75



[247]
9.74

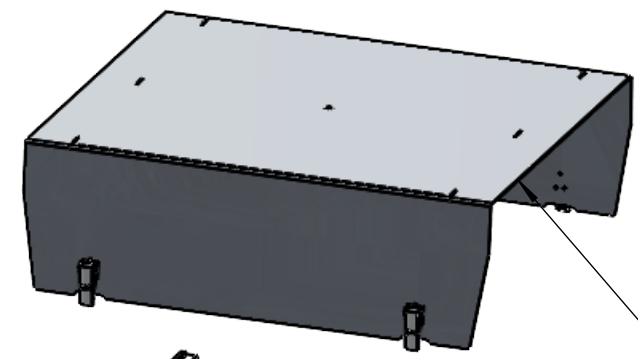
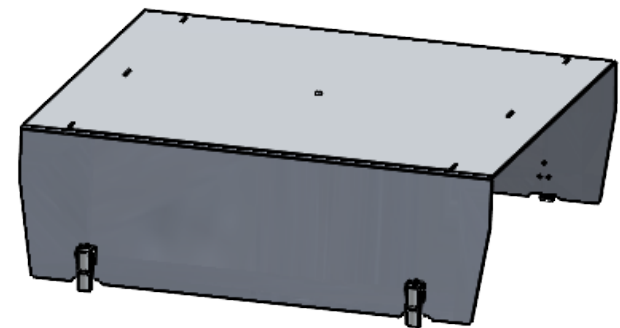
[763]
30.03

Power & Signal Conduit Entries



B

B



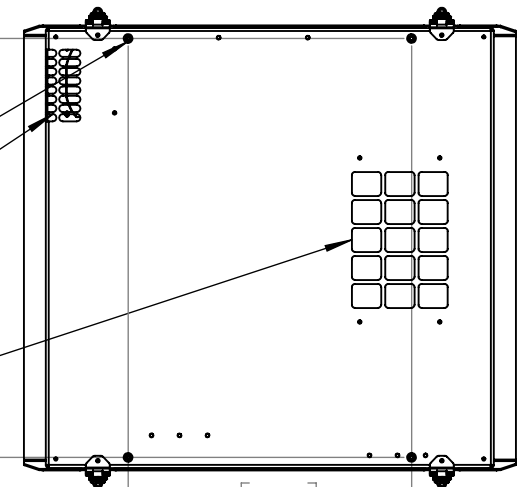
Rigging Points - 4 x M8

Exhaust Vents

Electrostatic Inlet Filter

Thermal lining mitigates daytime heating

[665]
26.18



[450]
17.72

A

A

Washable electrostatic foam inlet filter

Projector clamps in place for repeatable positioning after removable for service

MiniDEC Controller: Fan on when projector running OR internal temp >35C. C13 Projector power outlet

Projector Exhaust Baffle directs exhaust air to enclosure fan

UNLESS OTHERWISE SPECIFIED:
DIMENSIONS ARE IN INCHES
TOLERANCES:
FRACTIONAL ±
ANGULAR: MACH ± BEND ±
TWO PLACE DECIMAL ±
THREE PLACE DECIMAL ±
INTERPRET GEOMETRIC TOLERANCING PER:
MATERIAL
Aluminum
FINISH
Powder Coat TBD
DO NOT SCALE DRAWING

	NAME	DATE
DRAWN	TB	6/25/2022
CHECKED		
ENG APPR.		
MFG APPR.		
Q.A.		
COMMENTS:		



TITLE:
Breeze PU 1000 Enclosure

SIZE	DWG. NO.	REV
B	58.PU.10	02

SCALE: 1:20 SHEET 1 OF 1

8 7 6 5 4 3 2 1