

4789.T.0812 Universal Trombone Arm, Nominal 8-12in
(20-30cm)

For all CK Blast, Burst, Graze, Vaya Linear LP/MP, Vaya Wash and Landscape fixtures with 1/2" NPT Thread

UNLESS OTHERWISE SPECIFIED:
DIMENSIONS ARE IN INCHES
TOLERANCES:
FRACTIONAL ±
FRACTIONAL ±
ANGULAR: MACH ± BEND ±
TWO PLACE DECIMAL ±
THREE PLACE DECIMAL ±
INTERPRET GEOMETRIC
TOLERANCING PER:
MATERIAL
12 ga 304 SS
FINISH
Clean
DO NOT SCALE DRAWING

	NAME	DATE
DRAWN	TB	11/25/2015
CHECKED		
ENG APPR.		
MFG APPR.		
Q.A.		
COMMENTS:		



TITLE:
Universal Trombone Arm,
8-12in [20-30cm]

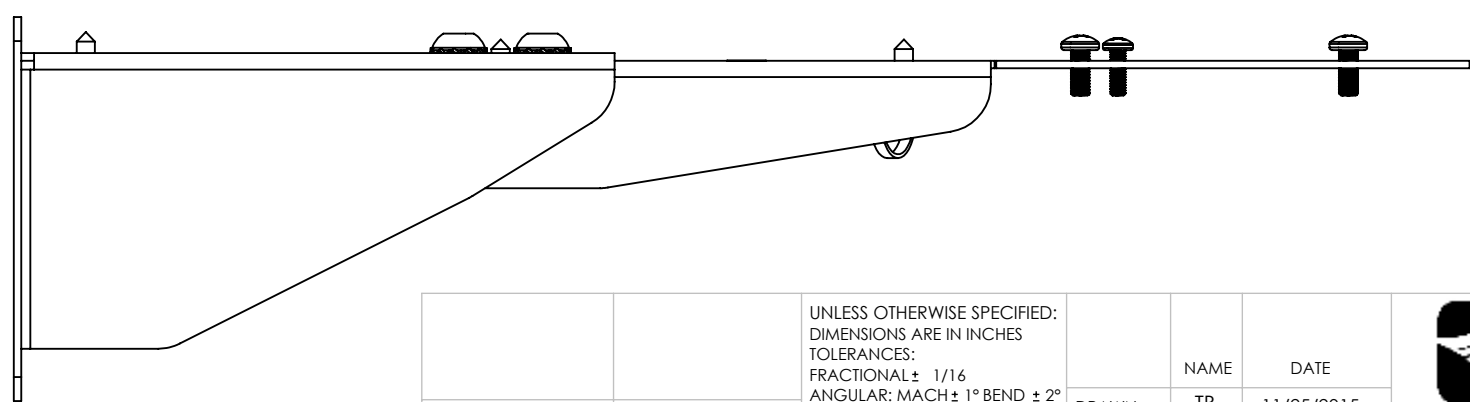
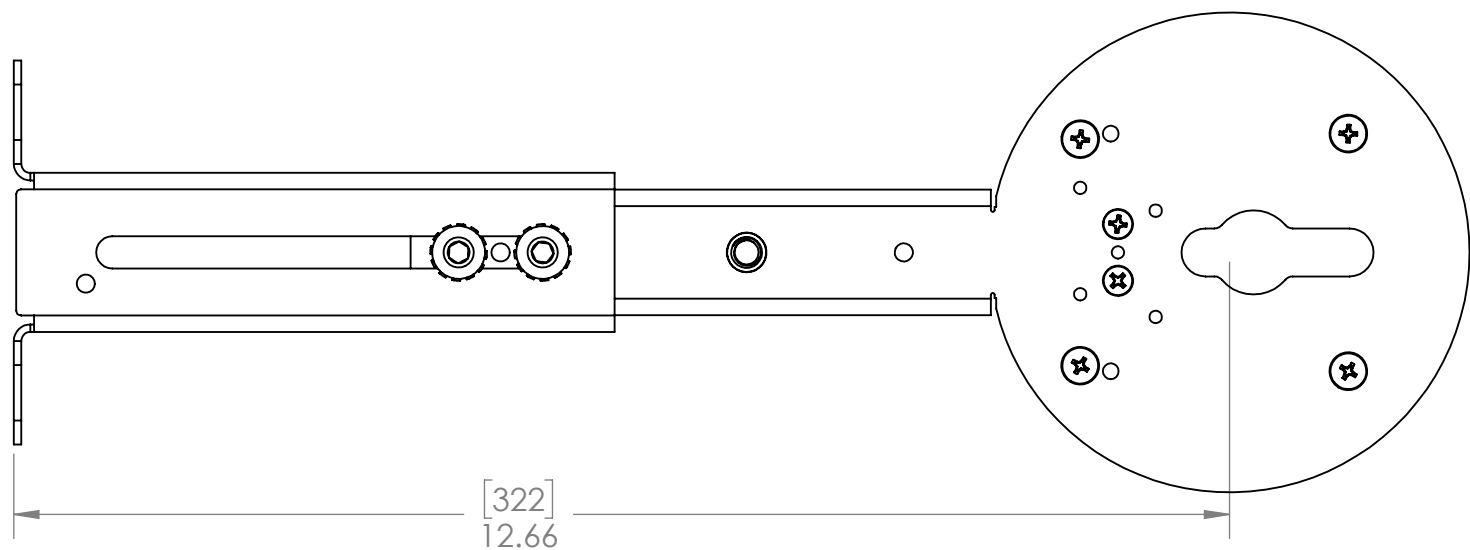
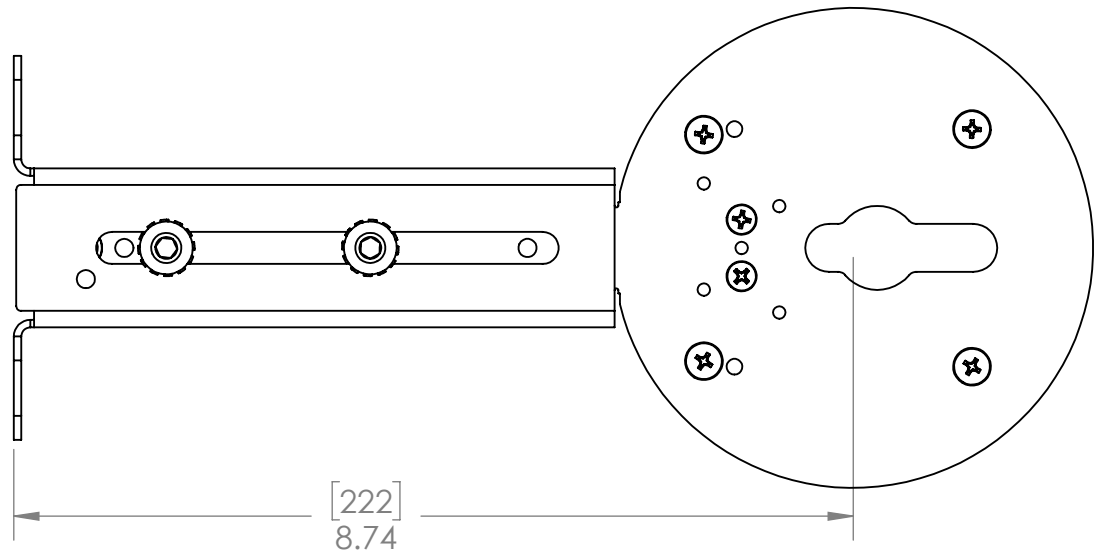
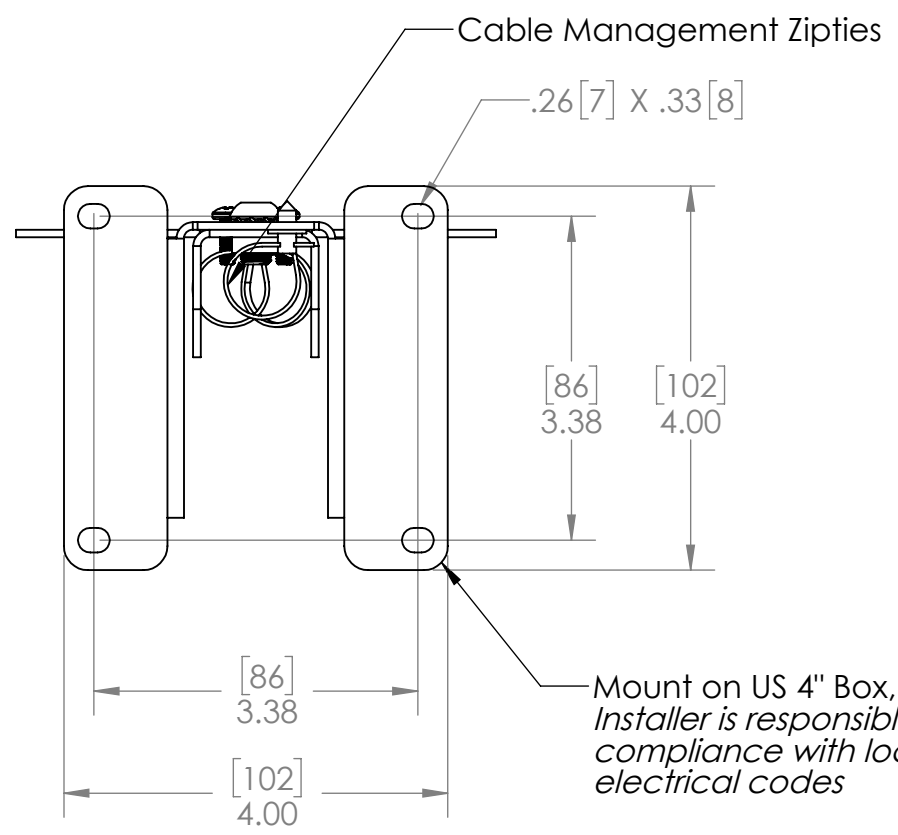
SIZE	DWG. NO.	REV
B	4789.T.0812	05

SCALE: 1:2 SHEET 1 OF 2

8 7 6 5 4 3 2 1

D
C
B
A

D
C
B
A



		UNLESS OTHERWISE SPECIFIED: DIMENSIONS ARE IN INCHES TOLERANCES: FRACTIONAL ± 1/16 ANGULAR: MACH ± 1° BEND ± 2° TWO PLACE DECIMAL ± .01 THREE PLACE DECIMAL ± .005 INTERPRET GEOMETRIC TOLERANCING PER ANSI Y14.5M	NAME	DATE
			DRAWN	TB 11/25/2015
			CHECKED	
			ENG APPR.	
			MFG APPR.	
		FINISH	COMMENTS:	
		Clean		
NEXT ASSY	USED ON			
APPLICATION		DO NOT SCALE DRAWING		

TEMPEST
lighting inc.

TITLE:
Universal Trombone Arm, 8-12in [20-30cm]

SIZE	DWG. NO.	REV
B	4789.T.0812	05

SCALE: 1:2 SHEET 2 OF 2

8 7 6 5 4 3 2 1