

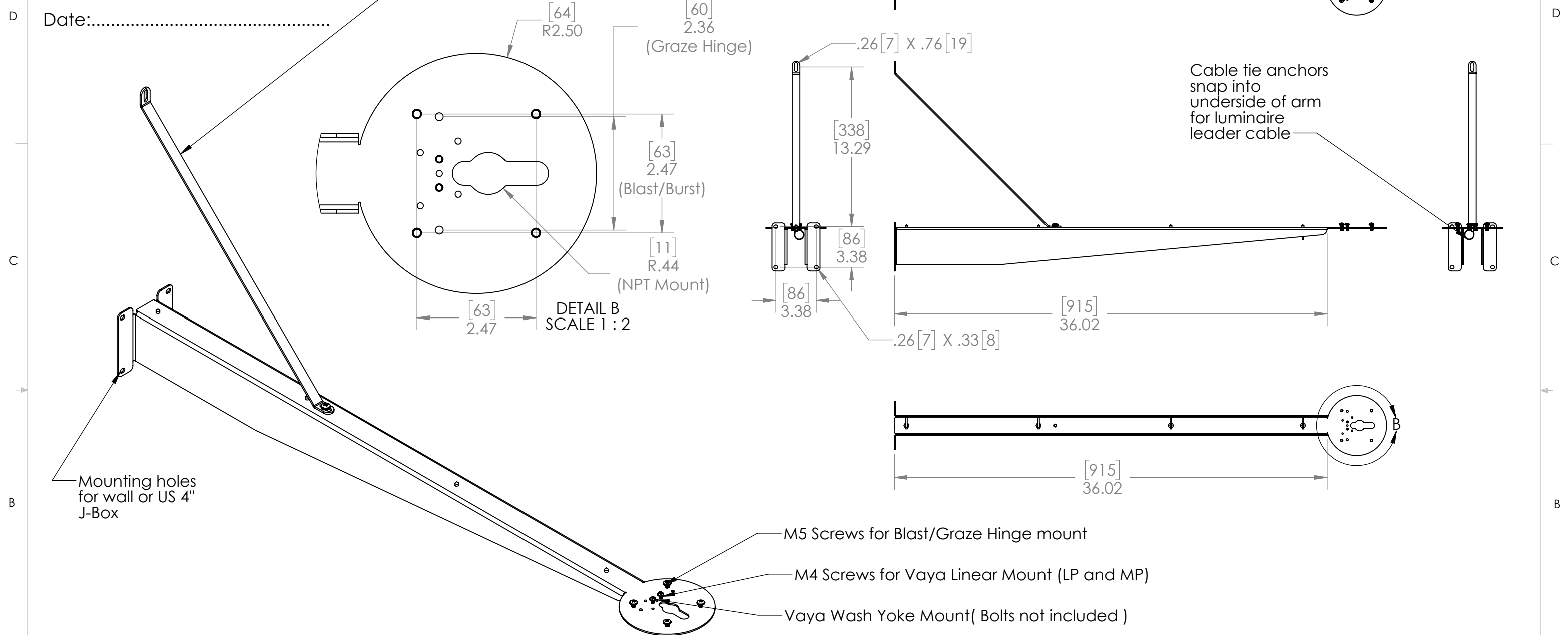
Sign For Approval

Full Name:.....

Signature:.....

Date:.....

Stainless Steel Brace for 24" (60cm) and above. Attach to wall with 1/4"/M6 stainless steel hardware



Mounting holes for wall or US 4" J-Box

- M5 Screws for Blast/Graze Hinge mount
- M4 Screws for Vaya Linear Mount (LP and MP)
- Vaya Wash Yoke Mount(Bolts not included)

Note: Luminaires may be mounted above or below the Standoff Arm

IMPORTANT: Installer is responsible for selection and approval of mounting hardware in compliance with local building codes.

PROPRIETARY AND CONFIDENTIAL: THE INFORMATION CONTAINED IN THIS DRAWING IS THE SOLE PROPERTY OF TEMPEST LIGHTING INC. ANY REPRODUCTION IN PART OR AS A WHOLE WITHOUT THE WRITTEN PERMISSION OF TEMPEST LIGHTING IS PROHIBITED.

		UNLESS OTHERWISE SPECIFIED: DIMENSIONS ARE IN INCHES TOLERANCES: FRACTIONAL ± 1/16 ANGULAR: MACH ± 1° BEND ± 2° TWO PLACE DECIMAL ± .01 THREE PLACE DECIMAL ± .005 INTERPRET GEOMETRIC TOLERANCING PER ANSI Y14.5M	NAME	DATE		
			DRAWN	TB		9/17/2015
			CHECKED			
			ENG APPR.			
			MFG APPR.			
		FINISH	COMMENTS:		TITLE: Universal Standoff Arm, 36in/90cm	
		Grain, or Custom Powder Coat				
NEXT ASSY	USED ON				SIZE B DWG. NO. 4789.36 REV 05	
APPLICATION		DO NOT SCALE DRAWING			SCALE: 1:8 SHEET 1 OF 1	