

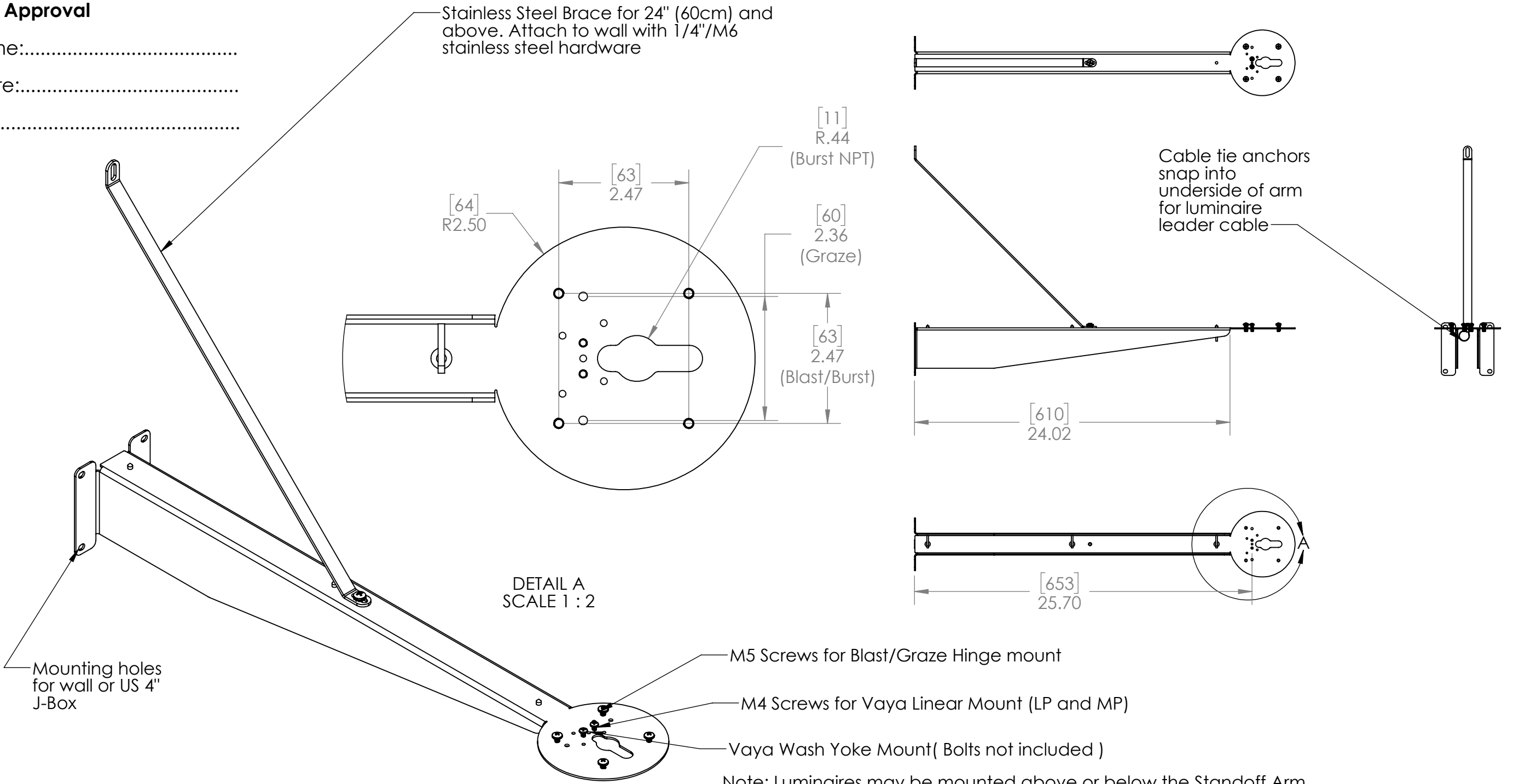
**Sign For Approval**

Full Name:.....

Signature:.....

Date:.....

Stainless Steel Brace for 24" (60cm) and above. Attach to wall with 1/4"/M6 stainless steel hardware



Mounting holes for wall or US 4" J-Box

M5 Screws for Blast/Graze Hinge mount

M4 Screws for Vaya Linear Mount (LP and MP)

Vaya Wash Yoke Mount (Bolts not included)

Note: Luminaires may be mounted above or below the Standoff Arm

IMPORTANT: Installer is responsible for selection and approval of mounting hardware in compliance with local building codes.

PROPRIETARY AND CONFIDENTIAL: THE INFORMATION CONTAINED IN THIS DRAWING IS THE SOLE PROPERTY OF TEMPEST LIGHTING INC. ANY REPRODUCTION IN PART OR AS A WHOLE WITHOUT THE WRITTEN PERMISSION OF TEMPEST LIGHTING IS PROHIBITED.

		UNLESS OTHERWISE SPECIFIED: DIMENSIONS ARE IN INCHES TOLERANCES: FRACTIONAL ± 1/16 ANGULAR: MACH ± 1° BEND ± 2° TWO PLACE DECIMAL ± .01 THREE PLACE DECIMAL ± .005 INTERPRET GEOMETRIC TOLERANCING PER ANSI Y14.5M		NAME	DATE	
		MATERIAL	14 ga 304 SS	DRAWN	TB	
		FINISH	Grain, or Custom Powder Coat	CHECKED		
				ENG APPR.		
				MFG APPR.		
				Q.A.		
				COMMENTS:		
NEXT ASSY	USED ON					TITLE: Universal Standoff Arm, 24in/60cm
APPLICATION		DO NOT SCALE DRAWING		SIZE	DWG. NO.	REV
				<b>B</b>	4789.24	05
				SCALE: 1:8		SHEET 1 OF 1