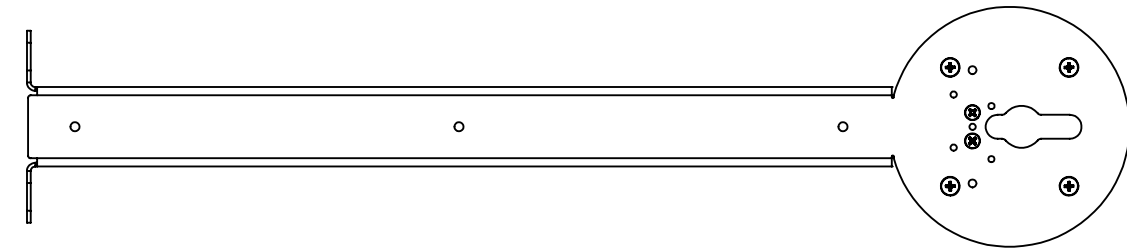
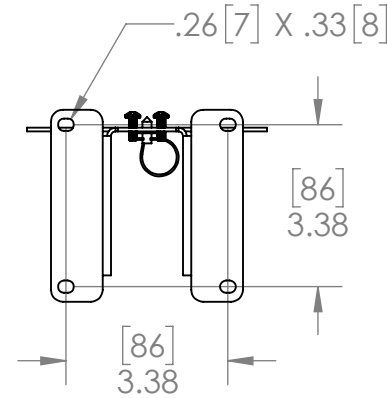
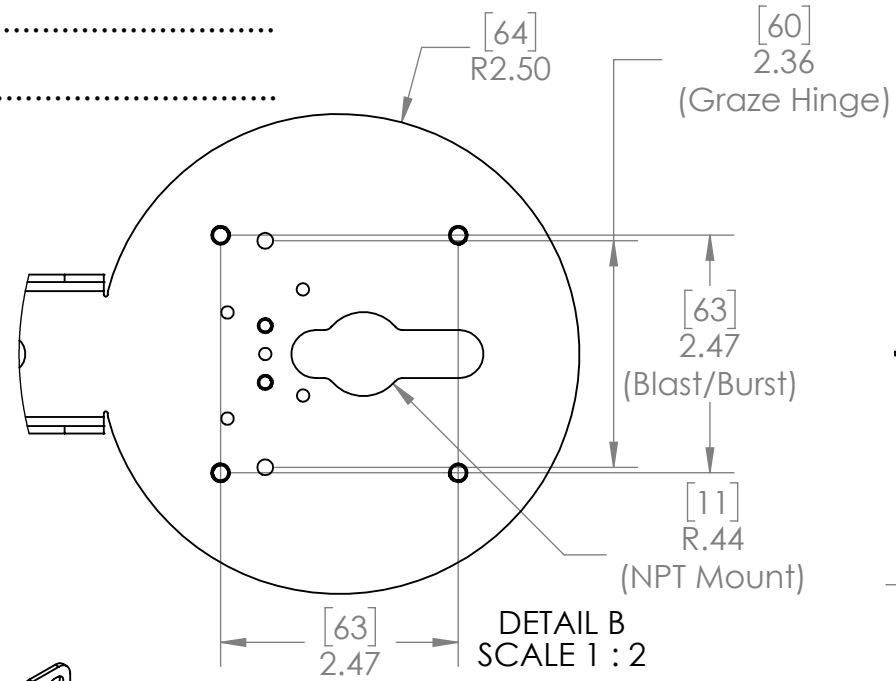


**Sign For Approval**

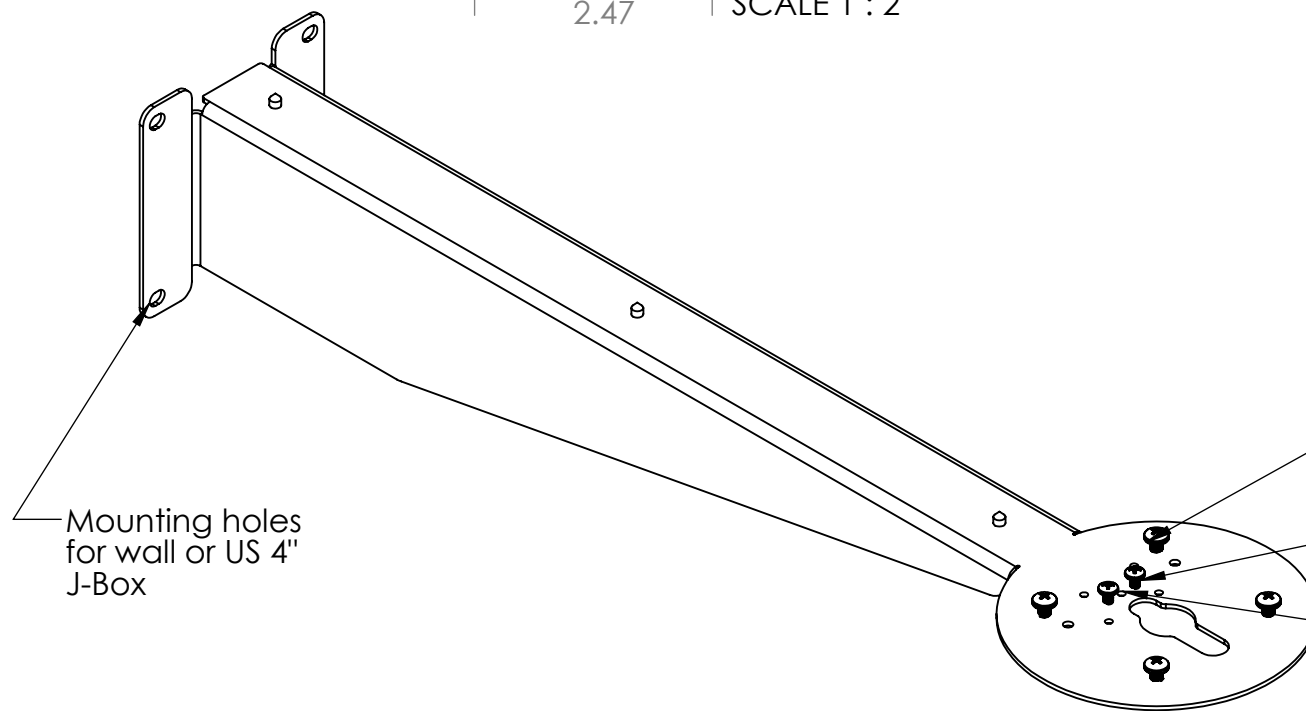
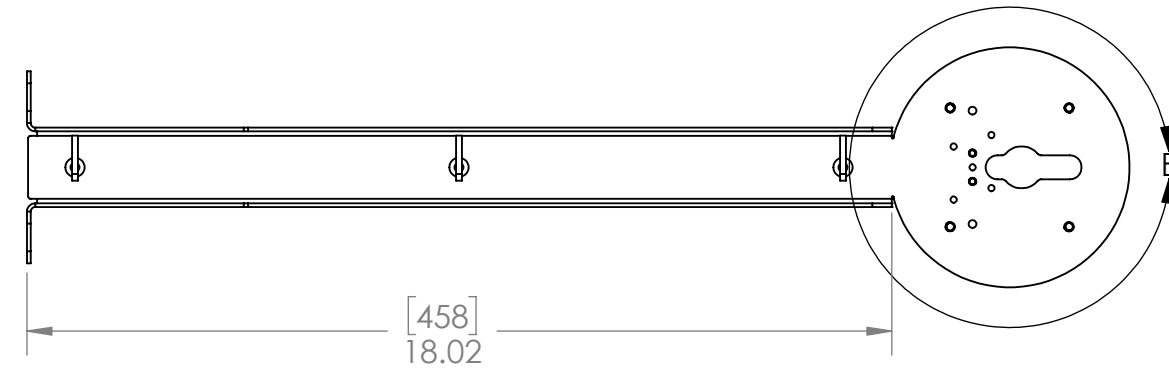
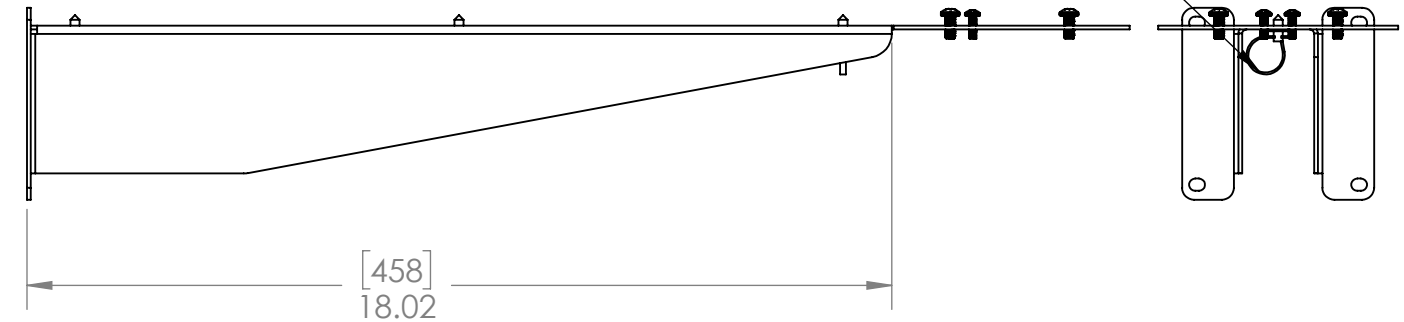
Full Name:.....

Signature:.....

Date:.....



Cable tie anchors snap into underside of arm for luminaire leader cable



Mounting holes for wall or US 4" J-Box

- M5 Screws for Blast/Graze Hinge mount
- M4 Screws for Vaya Linear Mount (LP and MP)
- Vaya Wash Yoke Mount( Bolts not included )

Note: Luminaires may be mounted above or below the Standoff Arm

IMPORTANT: Installer is responsible for selection and approval of mounting hardware in compliance with local building codes.

PROPRIETARY AND CONFIDENTIAL: THE INFORMATION CONTAINED IN THIS DRAWING IS THE SOLE PROPERTY OF TEMPEST LIGHTING INC. ANY REPRODUCTION IN PART OR AS A WHOLE WITHOUT THE WRITTEN PERMISSION OF TEMPEST LIGHTING IS PROHIBITED.

UNLESS OTHERWISE SPECIFIED:  
DIMENSIONS ARE IN INCHES  
TOLERANCES:  
FRACTIONAL ± 1/16  
ANGULAR: MACH ± 1° BEND ± 2°  
TWO PLACE DECIMAL ± .01  
THREE PLACE DECIMAL ± .005  
INTERPRET GEOMETRIC TOLERANCING PER ANSI Y14.5M

MATERIAL  
14 ga 304 SS

FINISH  
Grain, or Custom Powder Coat

			NAME	DATE
		DRAWN	TB	9/17/2015
		CHECKED		
		ENG APPR.		
		MFG APPR.		
		Q.A.		
		COMMENTS:		
NEXT ASSY	USED ON			
APPLICATION	DO NOT SCALE DRAWING			



TITLE:  
**Universal Standoff Arm,  
18in/45cm**

SIZE DWG. NO. REV  
**B 4789.18 05**

SCALE: 1:8 SHEET 1 OF 1