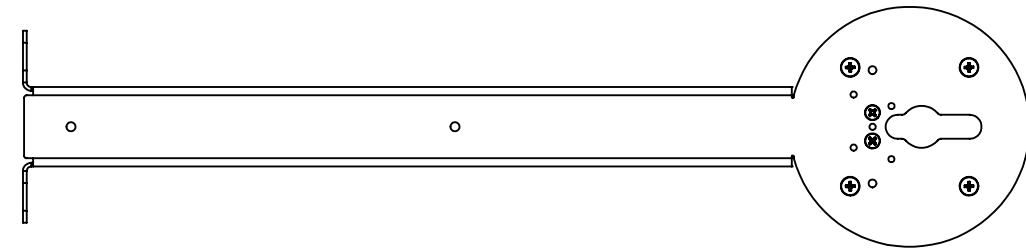
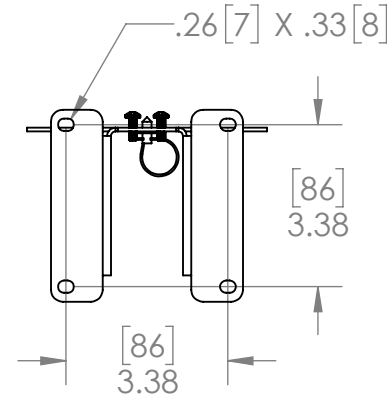
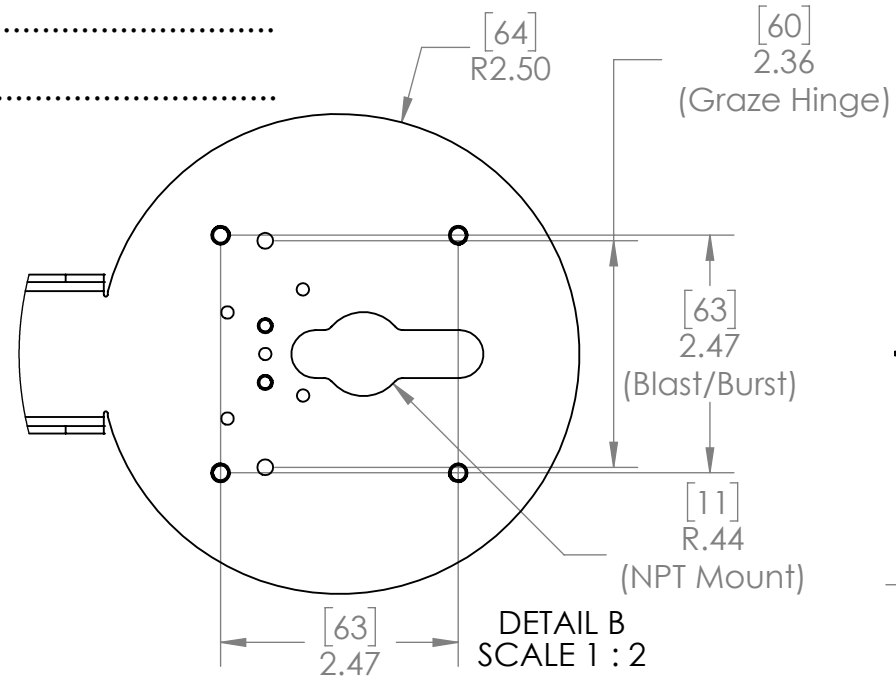


Sign For Approval

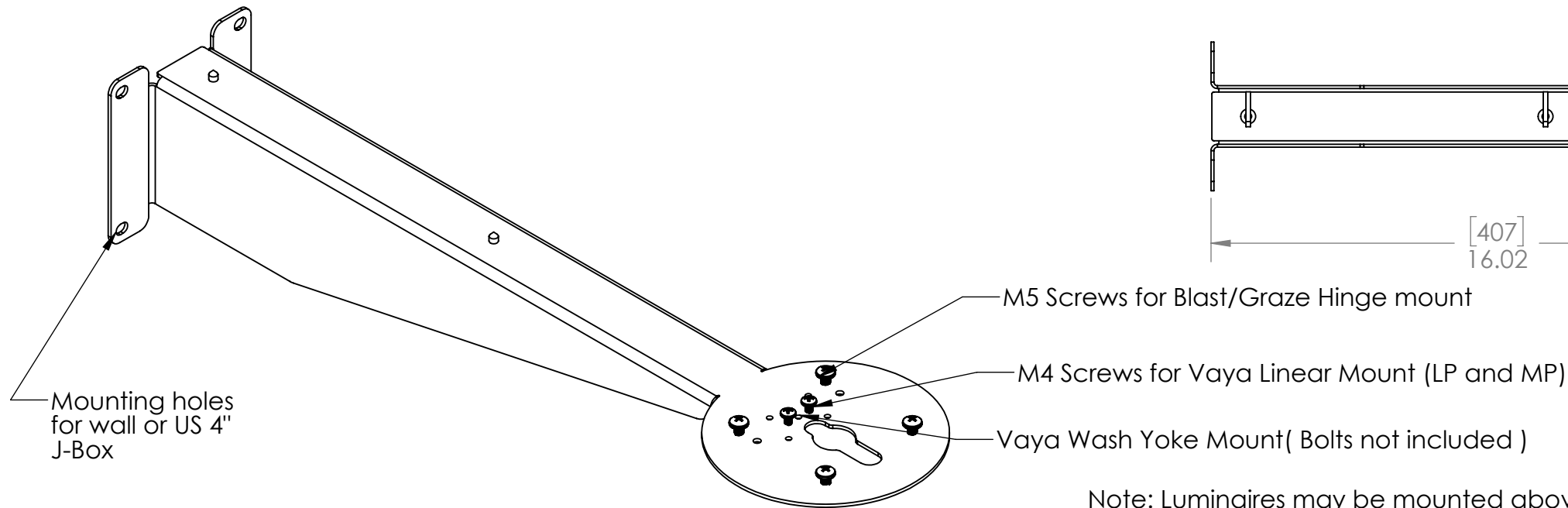
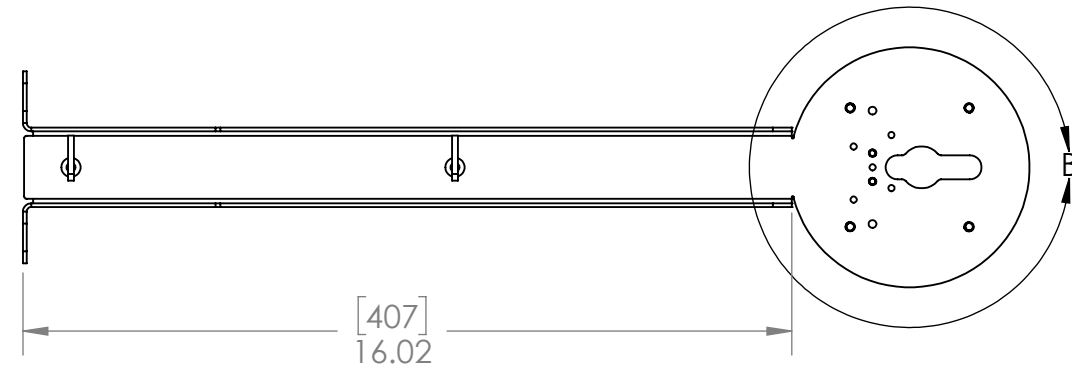
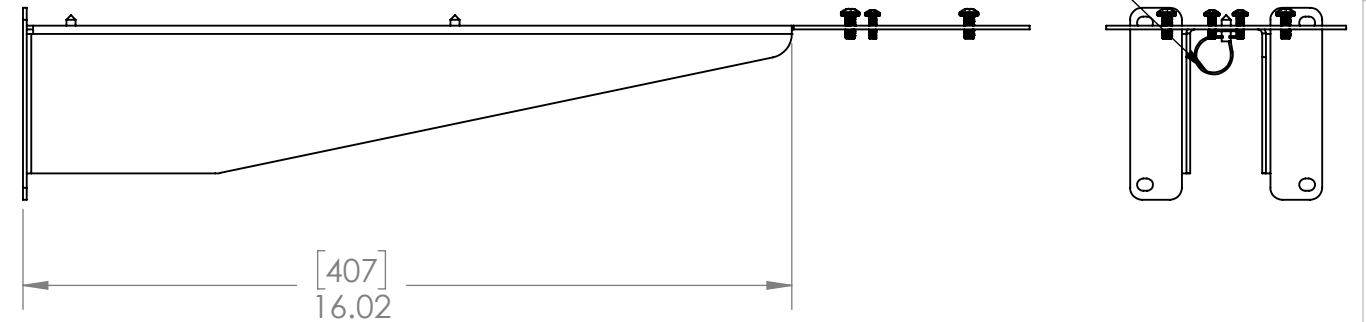
Full Name:.....

Signature:.....

Date:.....



Cable tie anchors snap into underside of arm for luminaire leader cable



Note: Luminaires may be mounted above or below the Standoff Arm

IMPORTANT: Installer is responsible for selection and approval of mounting hardware in compliance with local building codes.

PROPRIETARY AND CONFIDENTIAL: THE INFORMATION CONTAINED IN THIS DRAWING IS THE SOLE PROPERTY OF TEMPEST LIGHTING INC. ANY REPRODUCTION IN PART OR AS A WHOLE WITHOUT THE WRITTEN PERMISSION OF TEMPEST LIGHTING IS PROHIBITED.

		<small>UNLESS OTHERWISE SPECIFIED: DIMENSIONS ARE IN INCHES TOLERANCES: FRACTIONAL ± 1/16 ANGULAR: MACH ± 1° BEND ± 2° TWO PLACE DECIMAL ± .01 THREE PLACE DECIMAL ± .005 INTERPRET GEOMETRIC TOLERANCING PER ANSI Y14.5M</small>	NAME	DATE		
			DRAWN	TB		9/17/2015
			CHECKED			
			ENG APPR.			
			MFG APPR.			
		<small>MATERIAL 14 ga 304 SS</small>	Q.A.		<small>TITLE: Universal Standoff Arm, 16in/40.6cm</small>	
			COMMENTS:			
		<small>FINISH Grain, or Custom Powder Coat</small>			<small>SIZE</small> B	
					<small>DWG. NO.</small> 4789.16	
					<small>REV</small> 05	
					<small>SCALE: 1:8</small>	
					<small>SHEET 1 OF 1</small>	

APPLICATION DO NOT SCALE DRAWING