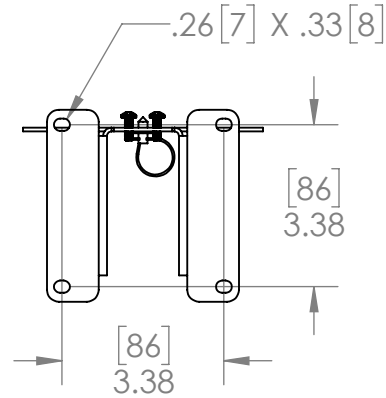
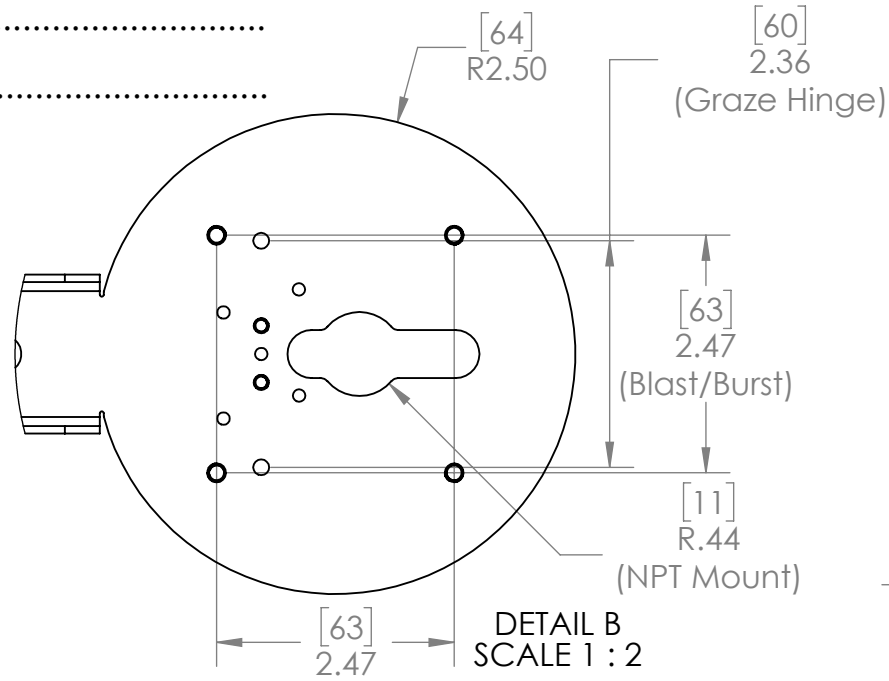
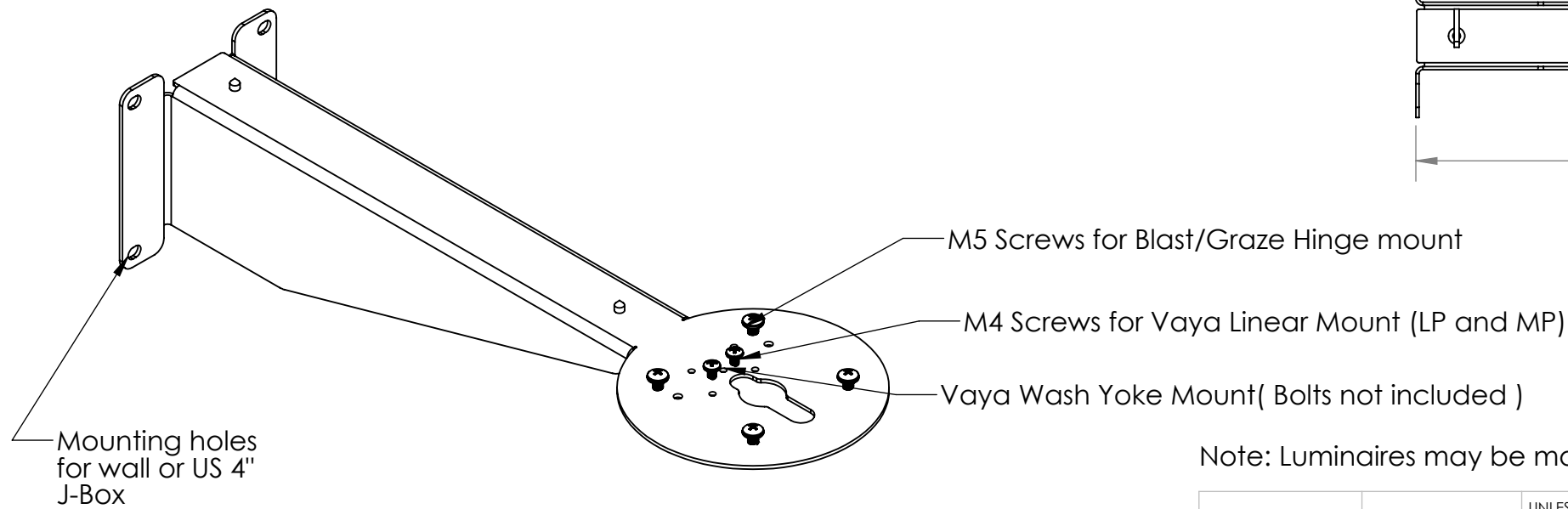
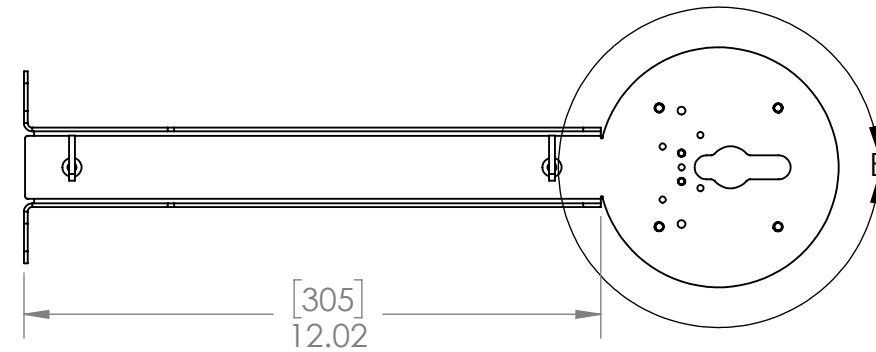
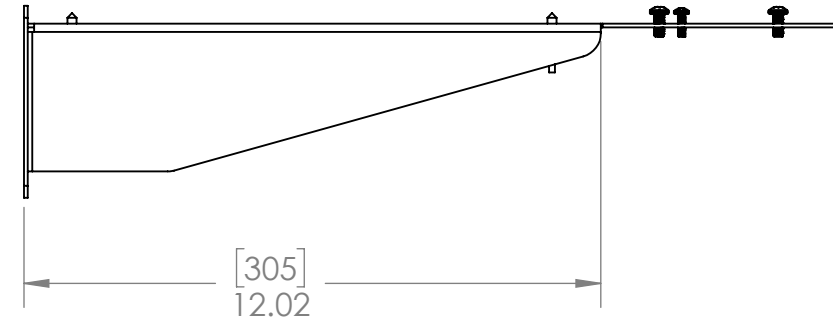


Sign For Approval

Full Name:.....
 Signature:.....
 Date:.....



Cable tie anchors snap into underside of arm for luminaire leader cable



Note: Luminaires may be mounted above or below the Standoff Arm

IMPORTANT: Installer is responsible for selection and approval of mounting hardware in compliance with local building codes.

PROPRIETARY AND CONFIDENTIAL: THE INFORMATION CONTAINED IN THIS DRAWING IS THE SOLE PROPERTY OF TEMPEST LIGHTING INC. ANY REPRODUCTION IN PART OR AS A WHOLE WITHOUT THE WRITTEN PERMISSION OF TEMPEST LIGHTING IS PROHIBITED.

		UNLESS OTHERWISE SPECIFIED: DIMENSIONS ARE IN INCHES TOLERANCES: FRACTIONAL ± 1/16 ANGULAR: MACH ± 1° BEND ± 2° TWO PLACE DECIMAL ± .01 THREE PLACE DECIMAL ± .005 INTERPRET GEOMETRIC TOLERANCING PER ANSI Y14.5M	NAME	DATE		
			DRAWN	TB		9/17/2015
			CHECKED			
			ENG APPR.			
			MFG APPR.			
			Q.A.		TITLE: Universal Standoff Arm, 12in/30cm	
		COMMENTS:				
					SIZE B DWG. NO. 4789.12 REV 05	
					SCALE: 1:8 SHEET 1 OF 1	

APPLICATION: DO NOT SCALE DRAWING