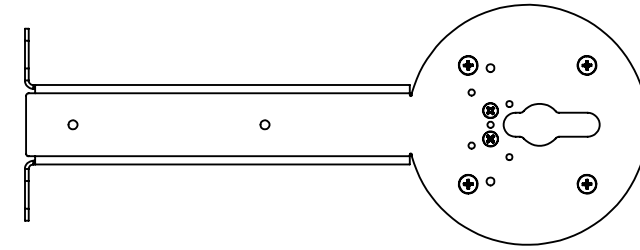
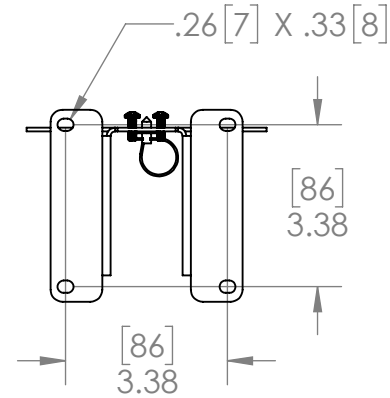
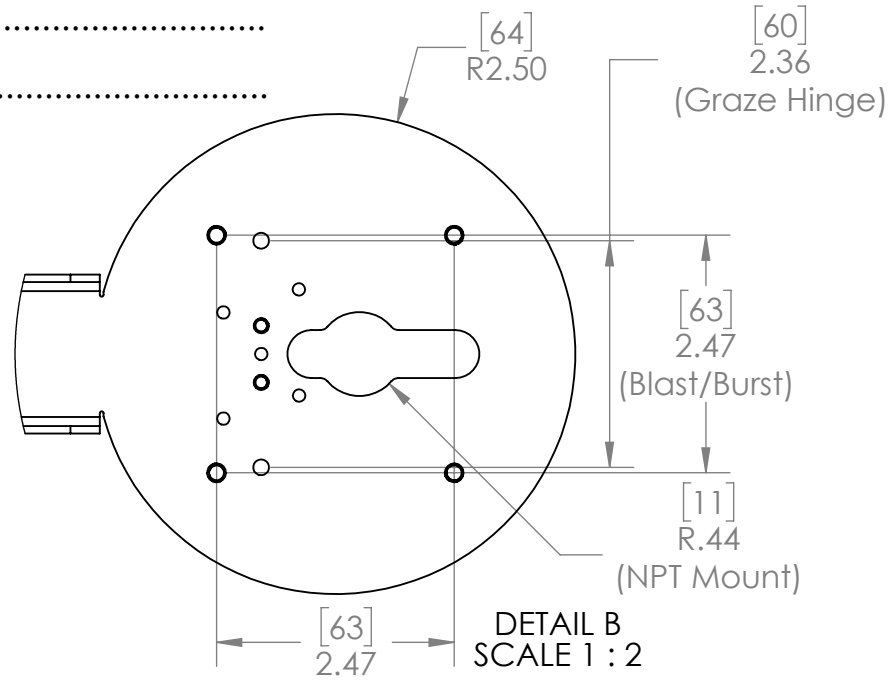


**Sign For Approval**

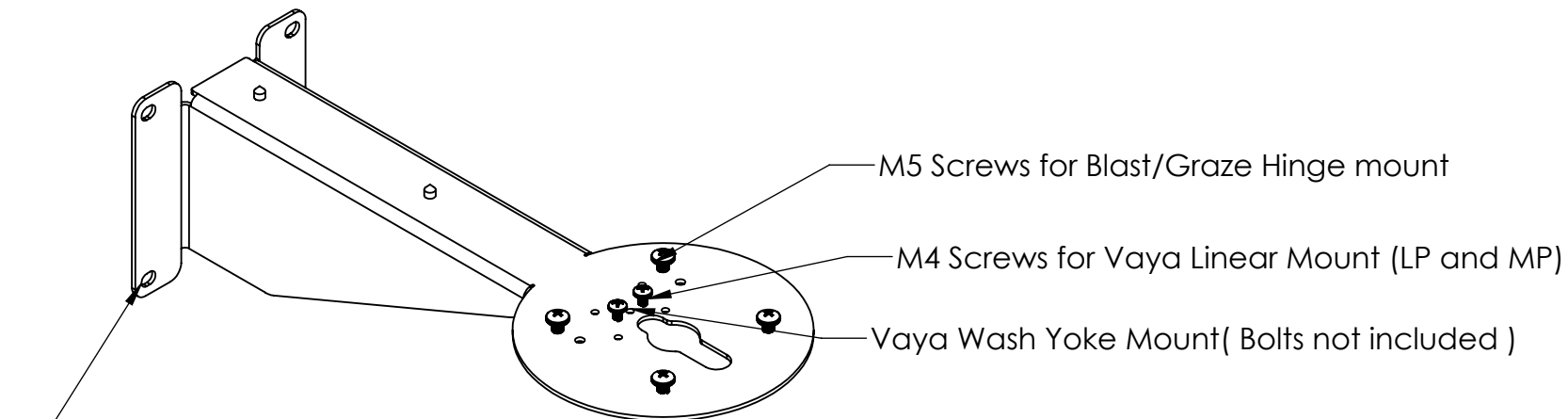
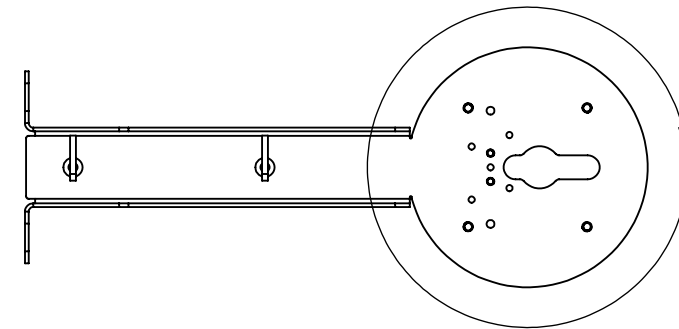
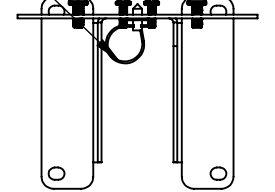
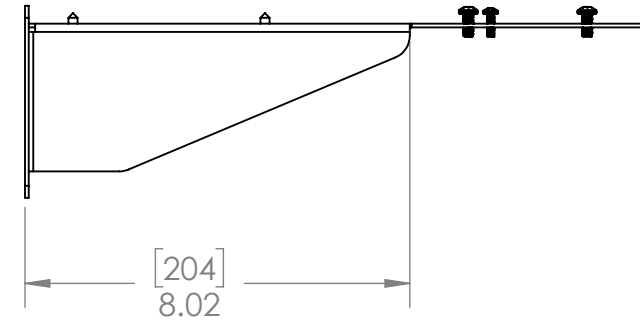
Full Name:.....

Signature:.....

Date:.....



Cable tie anchors snap into underside of arm for luminaire leader cable



Mounting holes for wall or US 4" J-Box

Note: Luminaires may be mounted above or below the Standoff Arm

IMPORTANT: Installer is responsible for selection and approval of mounting hardware in compliance with local building codes.

PROPRIETARY AND CONFIDENTIAL: THE INFORMATION CONTAINED IN THIS DRAWING IS THE SOLE PROPERTY OF TEMPEST LIGHTING INC. ANY REPRODUCTION IN PART OR AS A WHOLE WITHOUT THE WRITTEN PERMISSION OF TEMPEST LIGHTING IS PROHIBITED.

		<small>UNLESS OTHERWISE SPECIFIED: DIMENSIONS ARE IN INCHES TOLERANCES: FRACTIONAL ± 1/16 ANGULAR: MACH ± 1° BEND ± 2° TWO PLACE DECIMAL ± .01 THREE PLACE DECIMAL ± .005 INTERPRET GEOMETRIC TOLERANCING PER ANSI Y14.5M</small>	NAME	DATE		
			DRAWN	TB		9/17/2015
			CHECKED			
			ENG APPR.			
			MFG APPR.			
		<small>MATERIAL 14 ga 304 SS</small>	Q.A.		TITLE: <b>Universal Standoff Arm, 8in/20cm</b>	
			COMMENTS:			
		<small>FINISH Grain, or Custom Powder Coat</small>			SIZE <b>B</b> DWG. NO. <b>4789.08</b> REV <b>05</b>	
NEXT ASSY	USED ON				SCALE: 1:8 SHEET 1 OF 1	
APPLICATION		DO NOT SCALE DRAWING				