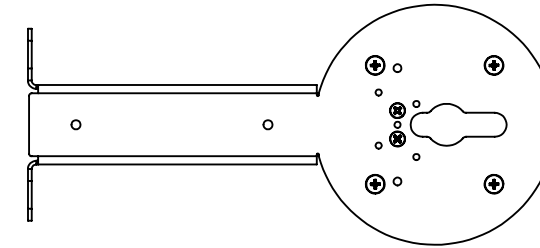
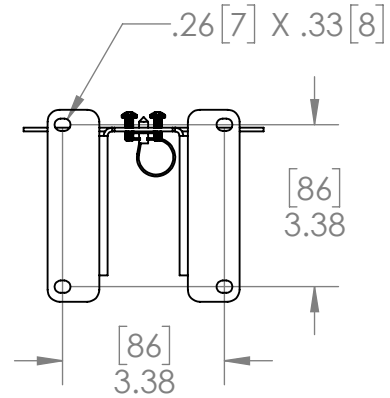
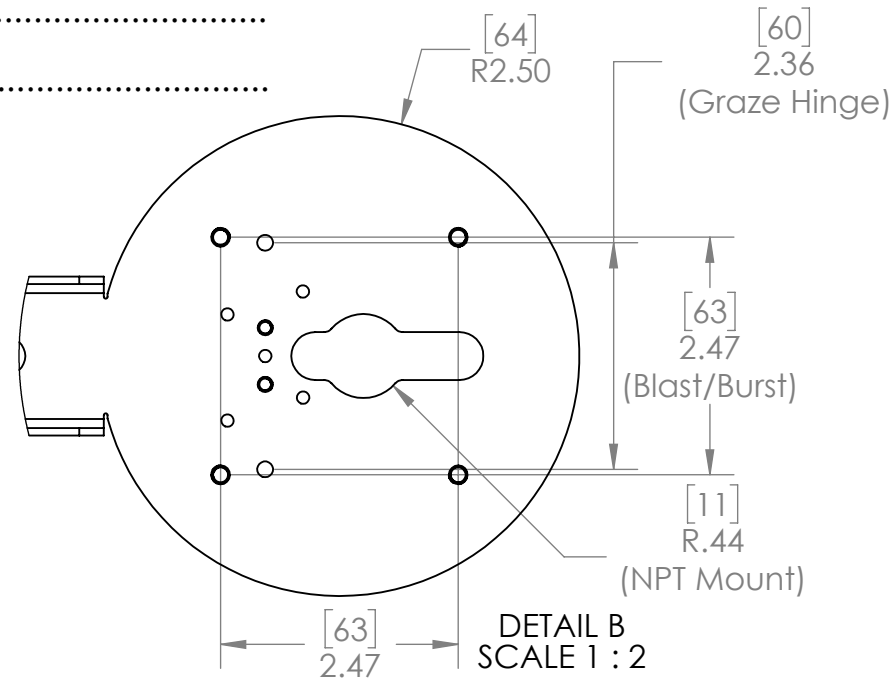


Sign For Approval

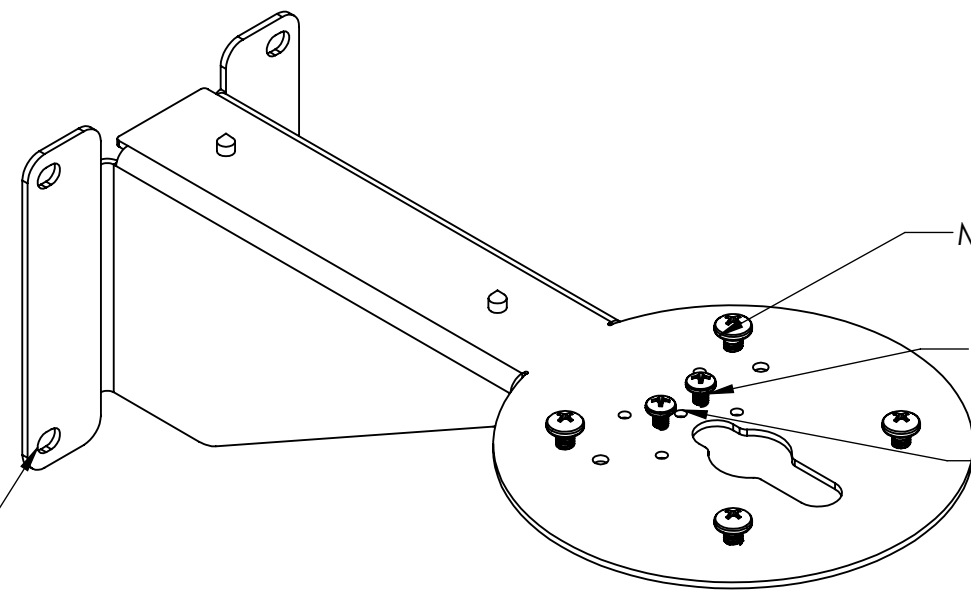
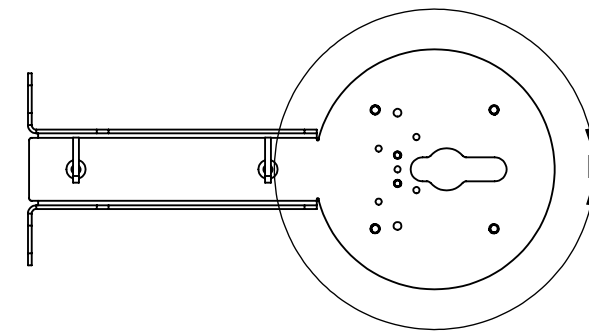
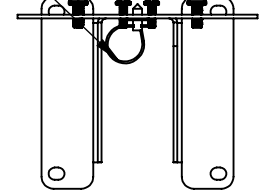
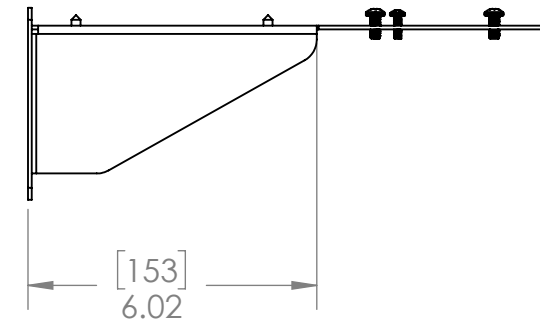
Full Name:.....

Signature:.....

Date:.....



Cable tie anchors snap into underside of arm for luminaire leader cable



M5 Screws for Blast/Graze Hinge mount

M4 Screws for Vaya Linear Mount (LP and MP)

Vaya Wash Yoke Mount (Bolts not included)

Mounting holes for wall or US 4" J-Box

Note: Luminaires may be mounted above or below the Standoff Arm

IMPORTANT: Installer is responsible for selection and approval of mounting hardware in compliance with local building codes.

PROPRIETARY AND CONFIDENTIAL: THE INFORMATION CONTAINED IN THIS DRAWING IS THE SOLE PROPERTY OF TEMPEST LIGHTING INC. ANY REPRODUCTION IN PART OR AS A WHOLE WITHOUT THE WRITTEN PERMISSION OF TEMPEST LIGHTING IS PROHIBITED.

UNLESS OTHERWISE SPECIFIED:
DIMENSIONS ARE IN INCHES
TOLERANCES:
FRACTIONAL ± 1/16
ANGULAR: MACH ± 1° BEND ± 2°
TWO PLACE DECIMAL ± .01
THREE PLACE DECIMAL ± .005
INTERPRET GEOMETRIC TOLERANCING PER ANSI Y14.5M

MATERIAL
14 ga 304 SS

FINISH
Grain, or Custom Powder Coat

			NAME	DATE
		DRAWN	TB	9/17/2015
		CHECKED		
		ENG APPR.		
		MFG APPR.		
		Q.A.		
		COMMENTS:		
NEXT ASSY	USED ON			
APPLICATION	DO NOT SCALE DRAWING			



TITLE:
**Universal Standoff Arm,
6in/15cm**

SIZE DWG. NO. REV
B 4789.06 05

SCALE: 1:8 SHEET 1 OF 1