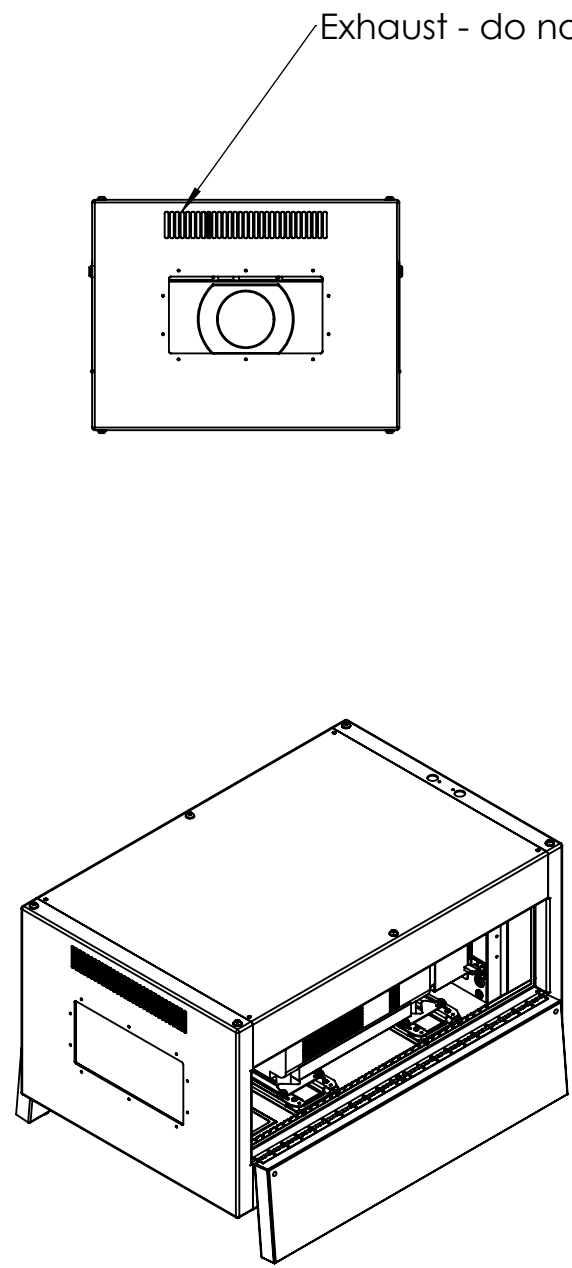


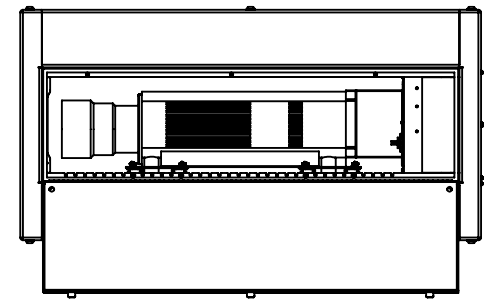
8 7 6 5 4 3 2 1

D
C
B
A

D
C
B
A

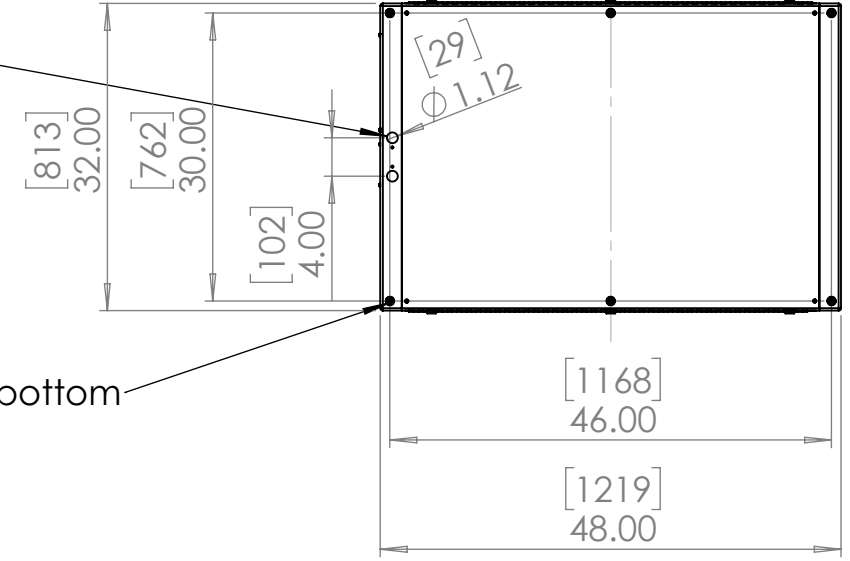


Exhaust - do not obstruct



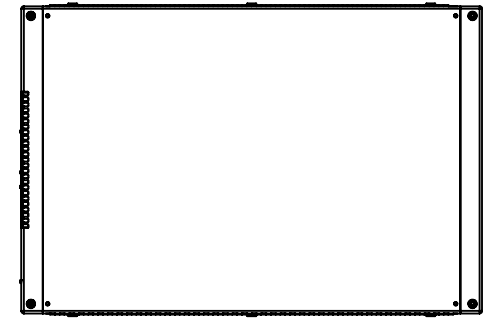
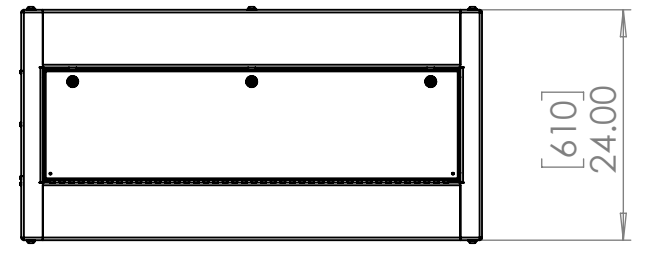
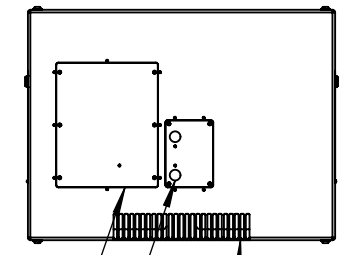
Note: Lockable doors open both sides.

Power & Signal Conduit Entries



Rigging Points:
M12-1.75
6 places top, 4 bottom

Wiring Access Cover
Alternate Conduit Entries
Air Inlet - do not obstruct



UNLESS OTHERWISE SPECIFIED:
DIMENSIONS ARE IN INCHES
TOLERANCES:
FRACTIONAL ±
ANGULAR: MACH ± BEND ±
TWO PLACE DECIMAL ±
THREE PLACE DECIMAL ±
INTERPRET GEOMETRIC TOLERANCING PER:
MATERIAL
Aluminum
FINISH
Powder Coat
DO NOT SCALE DRAWING

	NAME	DATE
DRAWN	TB	5/29/2021
CHECKED		
ENG APPR.		
MFG APPR.		
Q.A.		
COMMENTS:		



TITLE:
Zen 150 Hush Enclosure

SIZE	DWG. NO.	REV
B	57.150	11

SCALE: 1:20 SHEET 1 OF 1

8 7 6 5 4 3 2 1