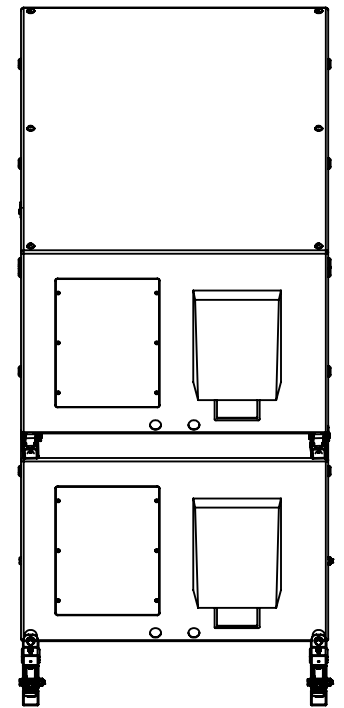
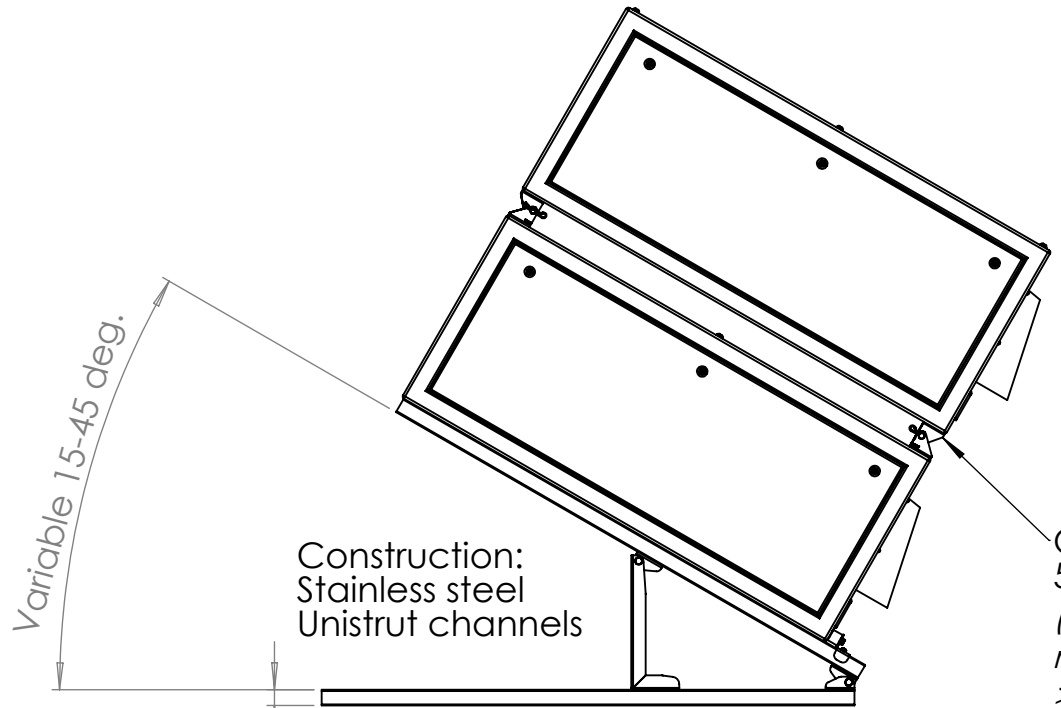
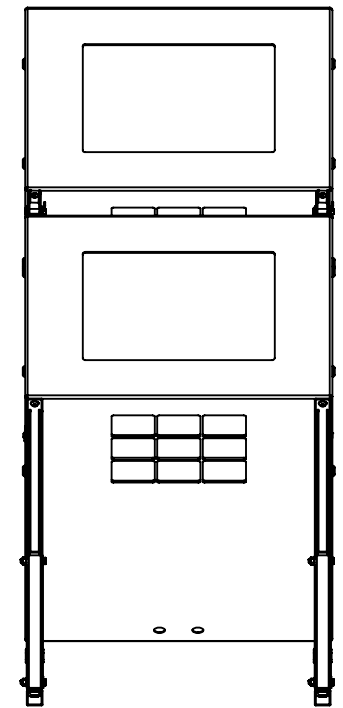


8 7 6 5 4 3 2 1

D
C
B
A

D
C
B
A



Variable 15-45 deg.

Construction:
Stainless steel
Unistrut channels

Optional:
51.SK Stacking Kit
(stacking not
recommended at
>30deg tilt or for portrait
enclosures exposed to
high winds)

[41]
1.63

Mounting Holes - mount
securely to substrate, 4 places

[13]
Ø0.49

[25]
1.00

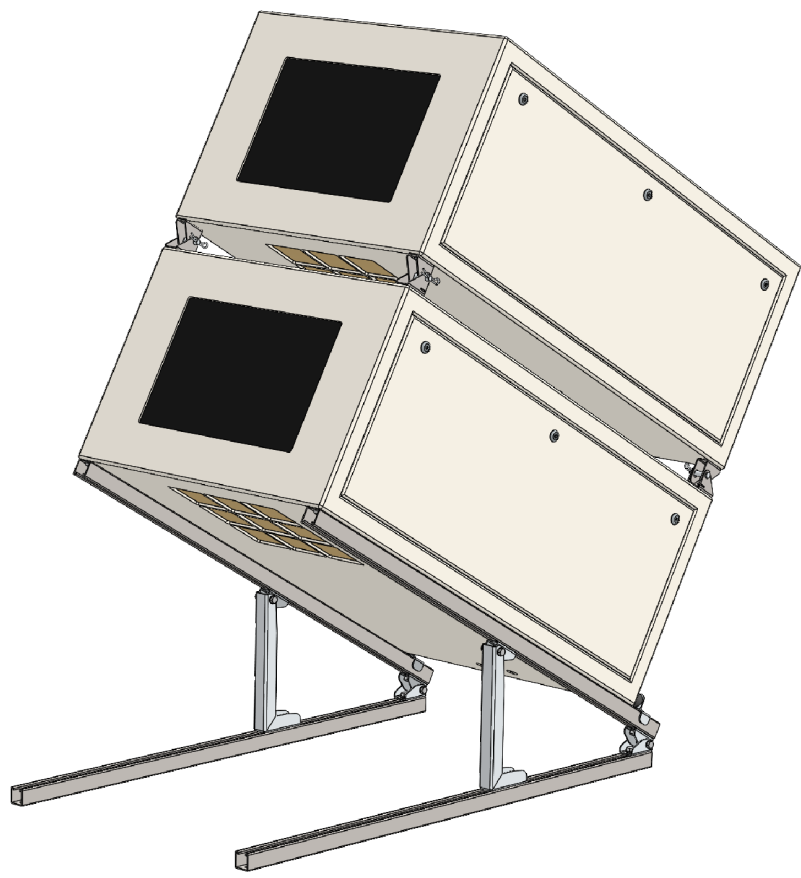
55.AM2: 30in 762mm
55.AM3: 32in 813mm
55.AM4: 36in 914mm

[19]
0.75

55.AM2: 49in 1245mm
55.AM3: 57in 1448mm
55.AM4: 65in 1651mm


[146]
5.75

[25]
1.00



UNLESS OTHERWISE SPECIFIED:
DIMENSIONS ARE IN INCHES
TOLERANCES:
FRACTIONAL ±
ANGULAR: MACH ± BEND ±
TWO PLACE DECIMAL ±
THREE PLACE DECIMAL ±
INTERPRET GEOMETRIC
TOLERANCING PER:
MATERIAL
Stainless Steel
FINISH
Clean
DO NOT SCALE DRAWING

	NAME	DATE
DRAWN	TB	3/22/2021
CHECKED		
ENG APPR.		
MFG APPR.		
Q.A.		
COMMENTS:		



TEMPEST
lighting inc.

TITLE:
Cyclone Angle Mount Kit

SIZE	DWG. NO.	REV
B	55.AMx	01

SCALE: 1:50 SHEET 1 OF 1

8 7 6 5 4 3 2 1