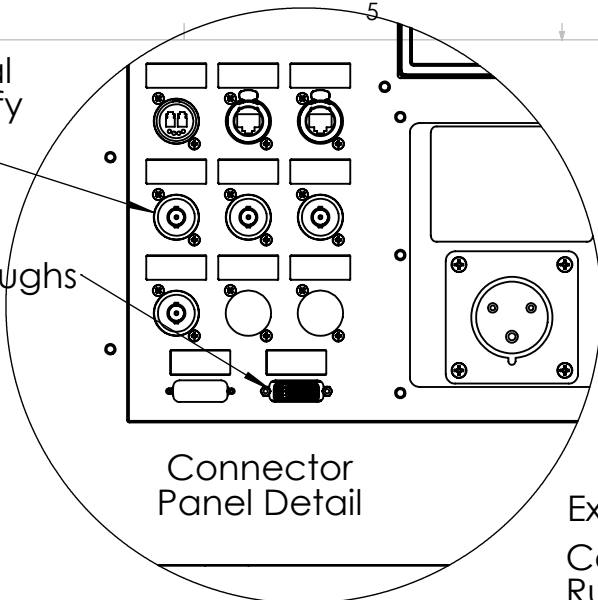


Up to 9 Neutrik signal passthroughs (specify when ordering)

Up to 2 DVI Passthroughs

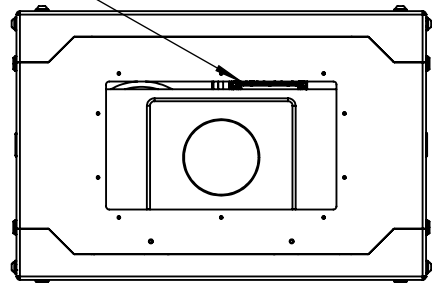


Connector Panel Detail

Rigging Points:

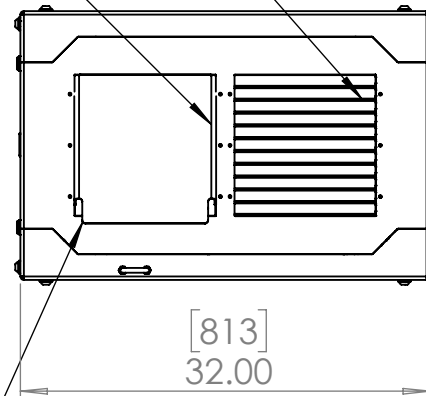
M12-1.75 x 6, top, bottom, both sides

Tempered Optical Grade Port Glass

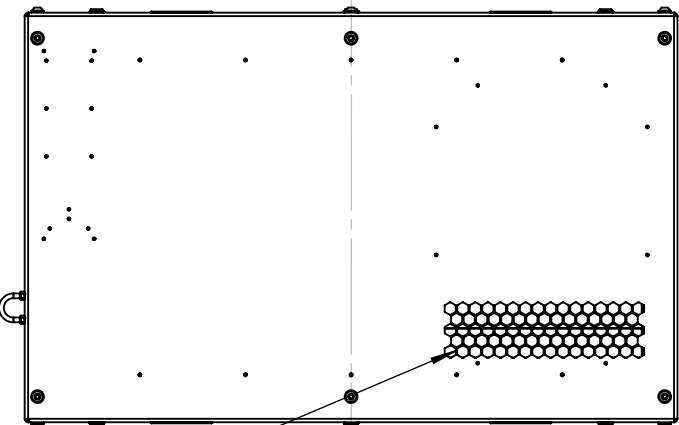


Shown here with Panasonic PT-RZ21

Exhaust Fan Louver
Connector Panel Rubber Flap



Stainless Steel Security Ring



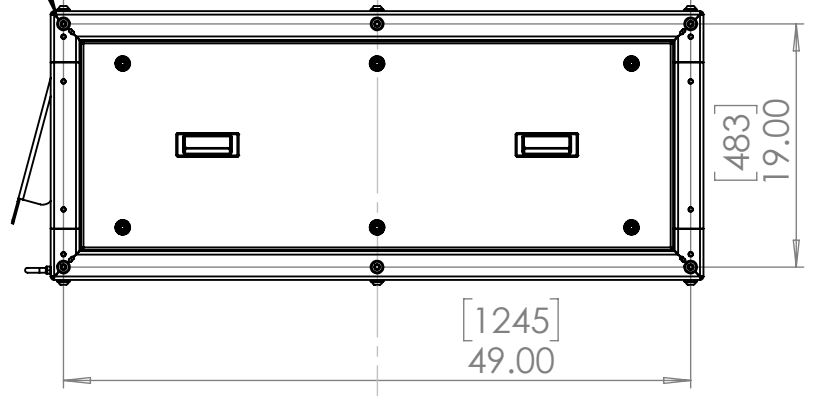
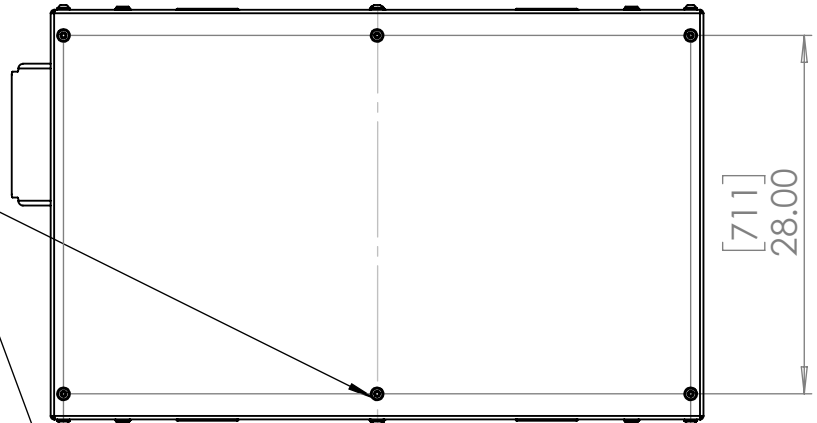
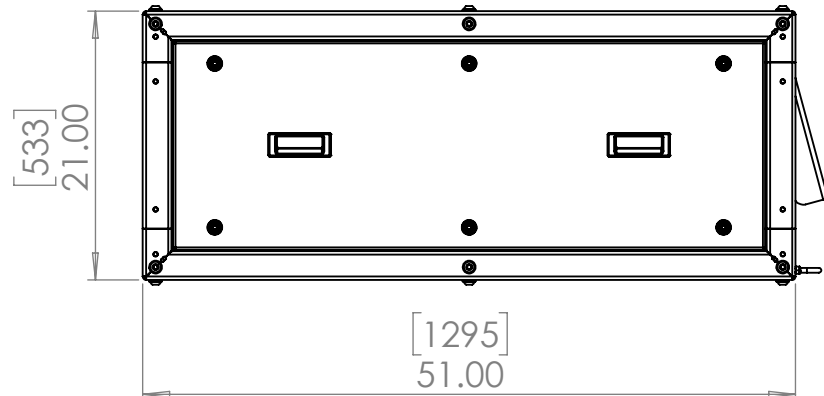
Inlet Filter Grille:

Must be hung this way up for outdoor portait operation

Note:
For portrait operation,
connector panel and
fan assembly rotate 90
degrees

Removable side
doors with 8mm hex
key latches

Optional grab handles shown here
- see Typhoon brochure for full
selection of rigging accessories



UNLESS OTHERWISE SPECIFIED:

DIMENSIONS ARE IN INCHES
TOLERANCES:
FRACTIONAL ±
ANGULAR: MACH ± BEND ±
TWO PLACE DECIMAL ±
THREE PLACE DECIMAL ±
INTERPRET GEOMETRIC
TOLERANCING PER:

MATERIAL
Alu/SS

FINISH
BK01

DO NOT SCALE DRAWING

	NAME	DATE
DRAWN	TB	12/8/2020
CHECKED		
ENG APPR.		
MFG APPR.		
Q.A.		
COMMENTS:		



TITLE:
Typhoon 210 Enclosure

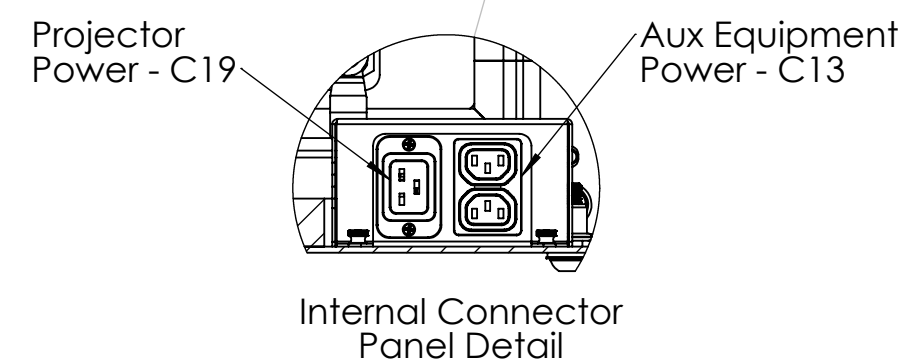
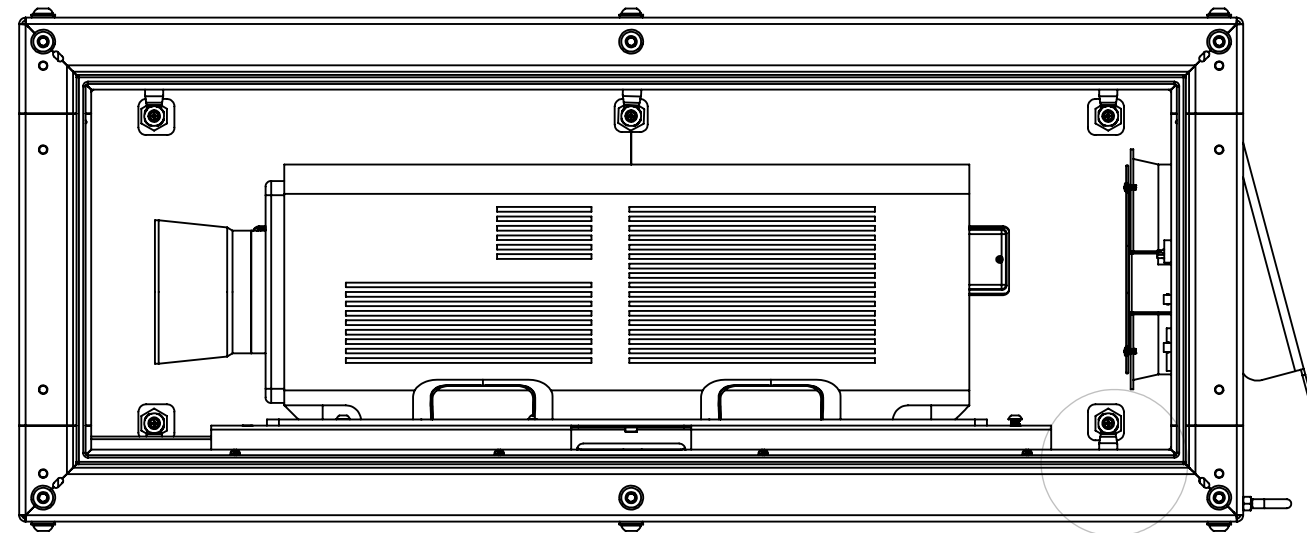
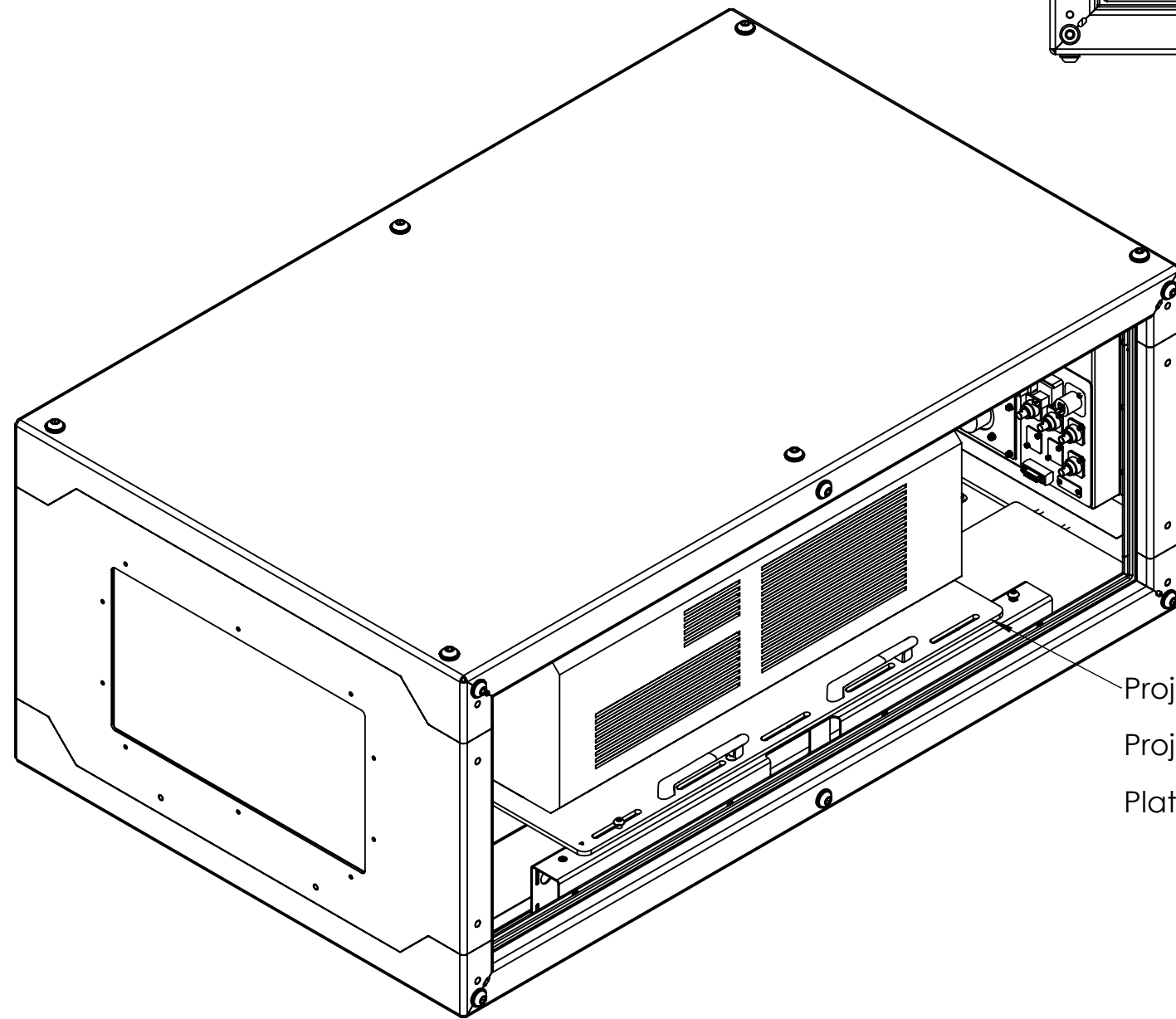
SIZE B	DWG. NO. 54.210	REV 08
------------------	--------------------	-----------

SCALE: 1:10 SHEET 1 OF 2

8 7 6 5 4 3 2 1

D
C
B
A

D
C
B
A



Projector Plate:
Projector fixes to plate through 4 x M6 slots.
Plate adjustable front-back for different lenses.

UNLESS OTHERWISE SPECIFIED:
DIMENSIONS ARE IN INCHES
TOLERANCES:
FRACTIONAL ±
ANGULAR: MACH ± BEND ±
TWO PLACE DECIMAL ±
THREE PLACE DECIMAL ±
INTERPRET GEOMETRIC TOLERANCING PER:
MATERIAL
Alu/SS
FINISH
BK01
DO NOT SCALE DRAWING

	NAME	DATE
DRAWN	TB	12/8/2020
CHECKED		
ENG APPR.		
MFG APPR.		
Q.A.		
COMMENTS:		



TITLE:
Typhoon 210 Enclosure

SIZE B	DWG. NO. 54.210	REV 08
------------------	--------------------	-----------

SCALE: 1:10 SHEET 2 OF 2

8 7 6 5 4 3 2 1