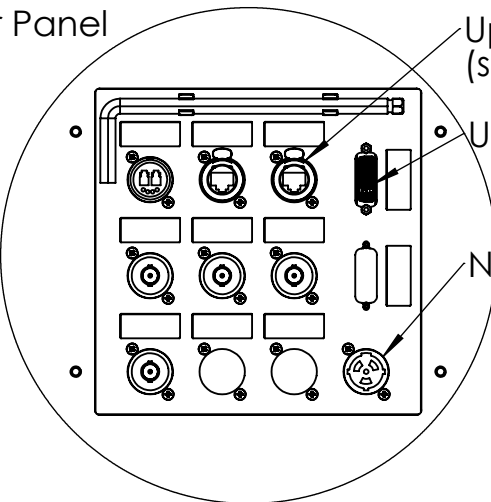


Connector Panel Detail



Up to 9 Neutrik signal passthroughs (specify when ordering)

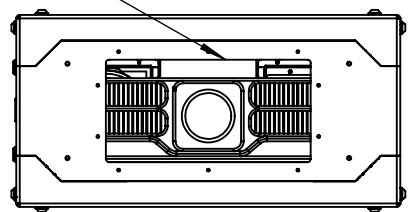
Up to 2 DVI Passthroughs

Neutrik PowerCon True Power Inlet

Rigging Points:

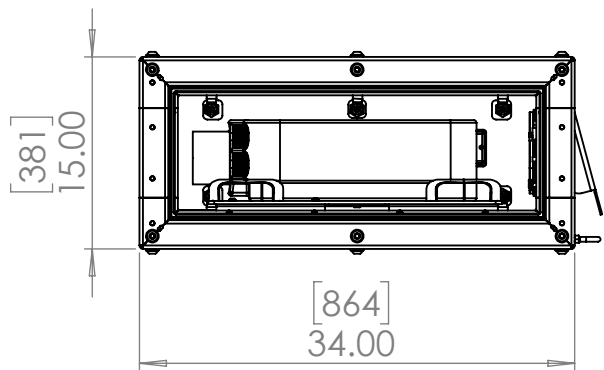
M12-1.75 x 6, top, bottom, both sides

Tempered Optical Grade Port Glass

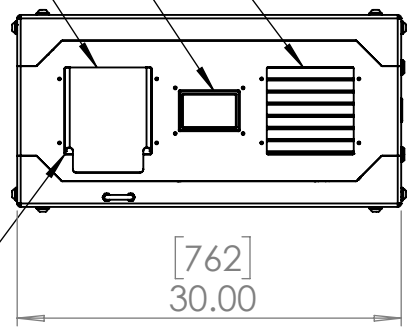


Shown here with Epson EB-L1755U

Connector Panel Rubber Flap

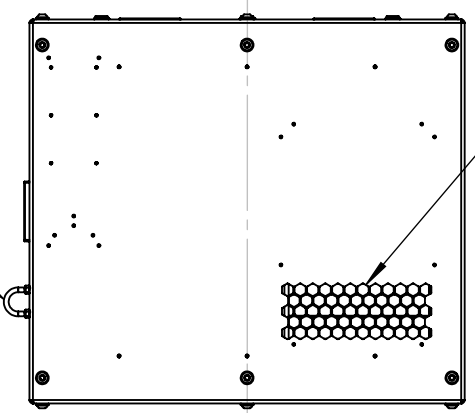


Exhaust Fan User Interface



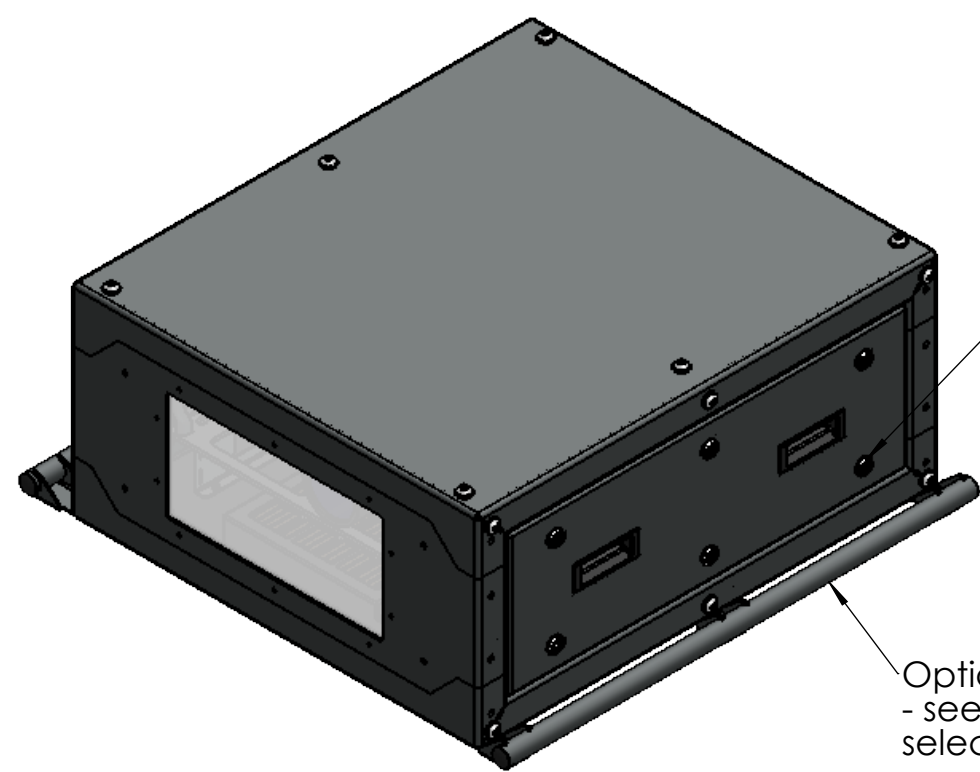
Note:
For portrait operation, connector panel and fan assembly rotate 90 degrees

Stainless Steel Security Ring



Inlet Filter Grille:
Must be hung this way up for outdoor portrait operation


Removable side doors with 8mm hex key latches



Optional grab handles shown here - see Typhoon brochure for full selection of rigging accessories

UNLESS OTHERWISE SPECIFIED:
DIMENSIONS ARE IN INCHES
TOLERANCES:
FRACTIONAL ±
ANGULAR: MACH ± BEND ±
TWO PLACE DECIMAL ±
THREE PLACE DECIMAL ±
INTERPRET GEOMETRIC TOLERANCING PER:
MATERIAL
Alu/SS
FINISH
BK01
DO NOT SCALE DRAWING

	NAME	DATE
DRAWN	TB	12/8/2020
CHECKED		
ENG APPR.		
MFG APPR.		
Q.A.		
COMMENTS:		



TEMPEST
lighting inc.

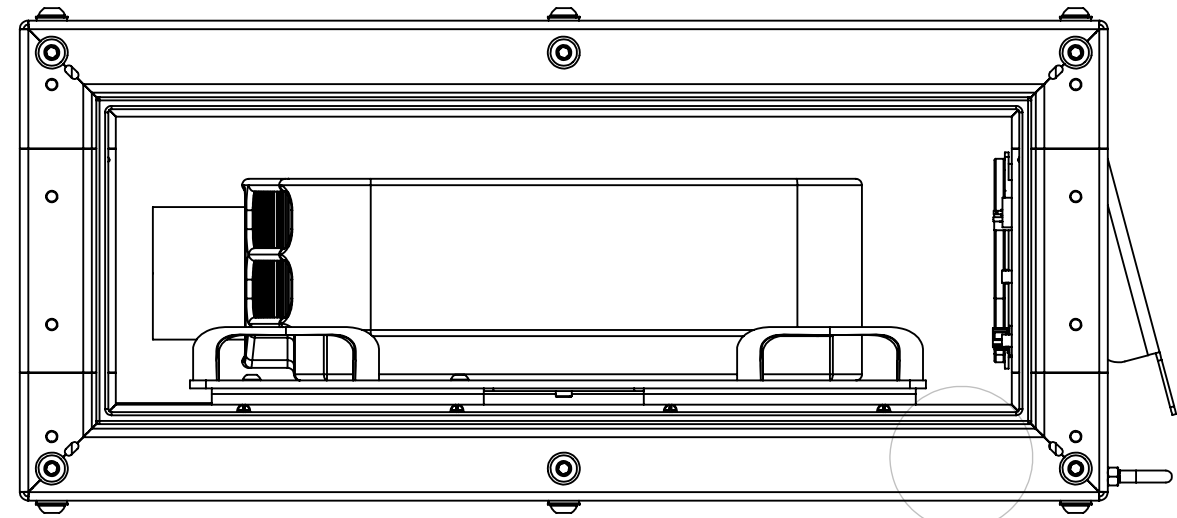
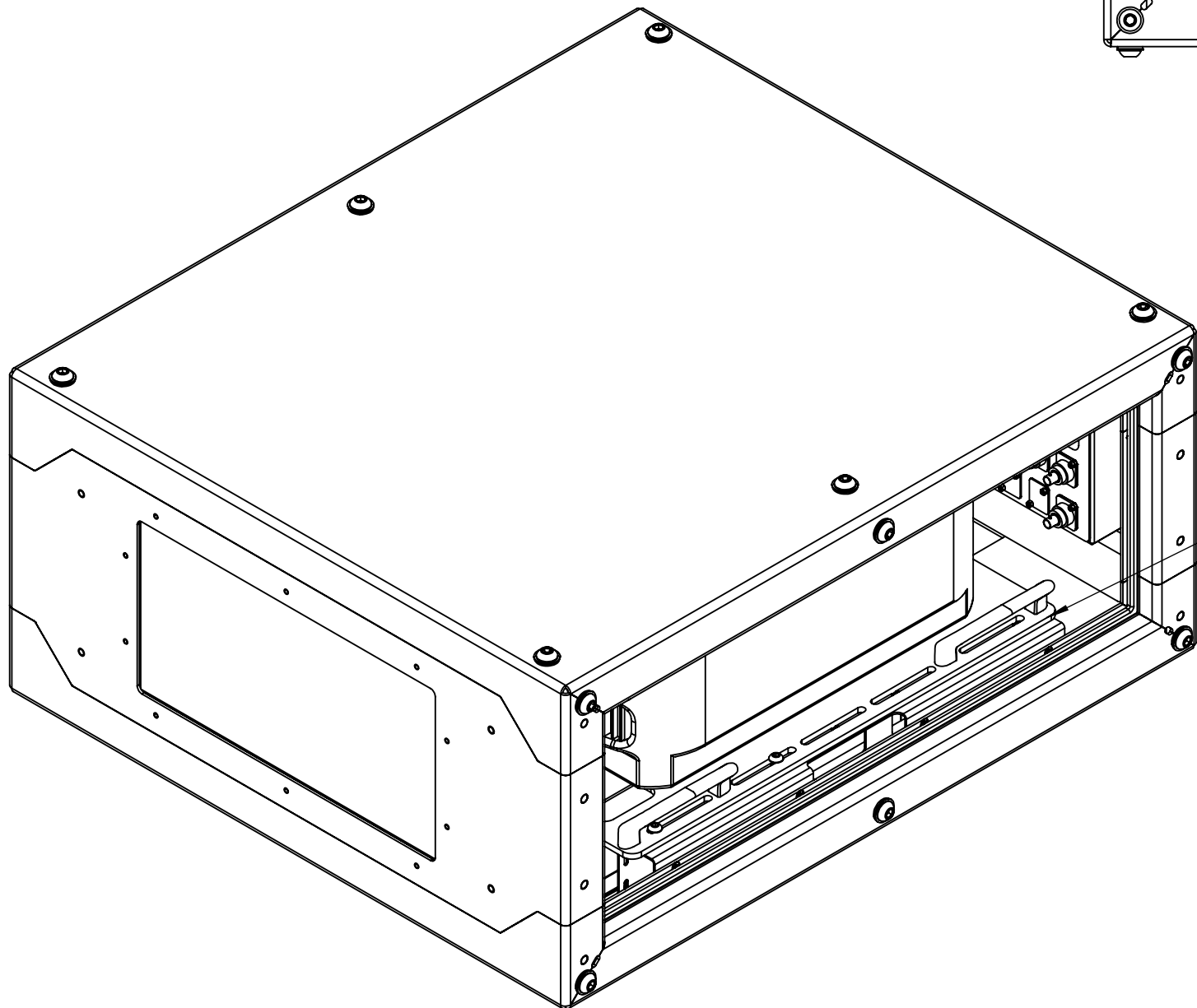
TITLE: Typhoon 100

SIZE	DWG. NO.	REV
B	54.100	08

SCALE: 1:10 SHEET 1 OF 2

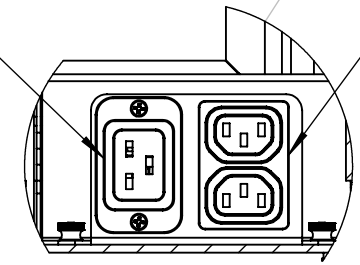
8 7 6 5 4 3 2 1

D
C
B
A



Projector
Power - C19

Aux Equipment
Power - C13



Internal Connector
Panel Detail

Projector Plate:
Projector fixes to plate through 4 x M6 slots.
Plate adjustable front-back for different lenses.

UNLESS OTHERWISE SPECIFIED:
DIMENSIONS ARE IN INCHES
TOLERANCES:
FRACTIONAL ±
ANGULAR: MACH ± BEND ±
TWO PLACE DECIMAL ±
THREE PLACE DECIMAL ±
INTERPRET GEOMETRIC
TOLERANCING PER:
MATERIAL
Alu/SS
FINISH
BK01
DO NOT SCALE DRAWING

	NAME	DATE
DRAWN	TB	12/8/2020
CHECKED		
ENG APPR.		
MFG APPR.		
Q.A.		
COMMENTS:		



TITLE: Typhoon 100		
SIZE B	DWG. NO. 54.100	REV 08
SCALE: 1:10		SHEET 2 OF 2

8 7 6 5 4 3 2 1