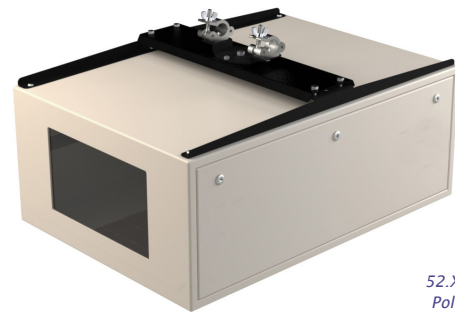


Blizzard/Whispr Hanger Kits



*Blizzard 52.100 Portrait
with 52.XV.100P Vertical
Pole Hanger Kit*



*Blizzard 52.150
Landscape with
52.XH.150L Horizontal
Pole/Truss Hanger Kit*

Vertical Pole Hanger Kit

Hang Blizzard or Whispr enclosures safely on a vertical pole 50mm [2"] OD (not included). Allows up to 30° tilt, 5° roll and unlimited pan adjustment.

Note: Not recommended for Blizzard .125 or .150 models.

Part Numbers: Vertical Pole Hanger Kit for:

52.XV.050L	Blizzard 050 Landscape
53.XV.050L	Whispr 050 Landscape
52.XV.050P	Blizzard/Whispr 050 Portrait
52.XV.100L	Blizzard 100 Landscape
53.XV.100L	Whispr 100 Landscape
52.XV.100P	Blizzard/Whispr 100 Portrait

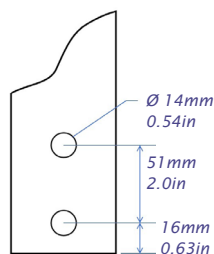
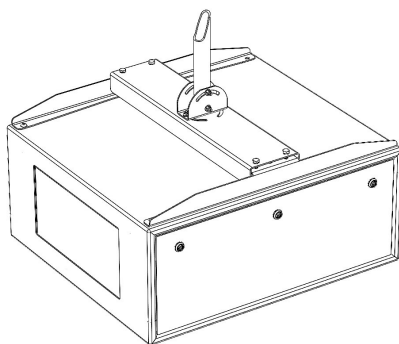
Horizontal Pole or Truss Kit

Hang Blizzard or Whispr enclosures safely on any truss or horizontal pipe with OD 50mm [2"]. The Truss kit allows you to:

- Tilt the enclosure by pivoting on the supplied truss clamps, +/- 30°
- Pan the enclosure up to 45° left or right
- Roll the enclosure +/- 5°

Part Numbers: Horizontal Hanger Kit for:

52.XH.050L	Blizzard 050 Landscape
53.XH.050L	Whispr 050 Landscape
52.XH.050P	Blizzard/Whispr 050 Portrait
52.XH.100L	Blizzard 100 Landscape
53.XH.100L	Whispr 100 Landscape
52.XH.100P	Blizzard/Whispr 100/125 Portrait
52.XH.125L	Blizzard 125 Landscape
53.XH.125L	Whispr 125 Landscape
52.XH.150L	Blizzard 150 Landscape
53.XH.150L	Whispr 150 Landscape
52.XH.150P	Blizzard/Whispr 150 Portrait



*Note: Prepare pole
by drilling two holes
as shown*

In the interest of continuous product improvement, specifications are subject to change without notice