

8 7 6 5 4 3 2 1

D

D

C

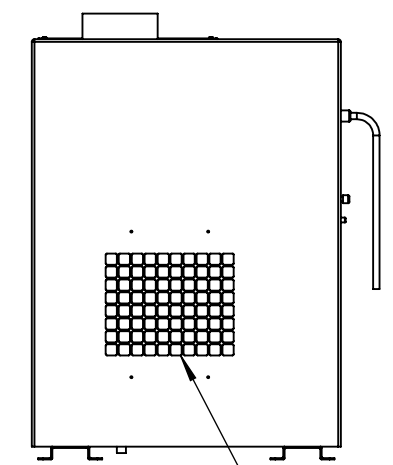
C

B

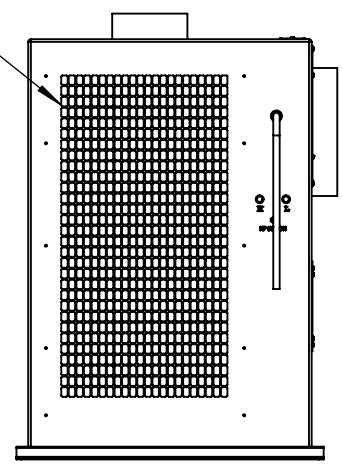
B

A

A

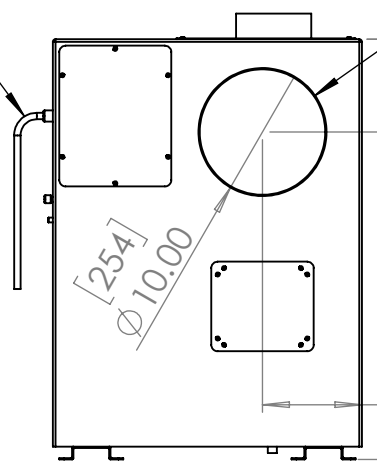


Compressor Exhaust - do not obstruct



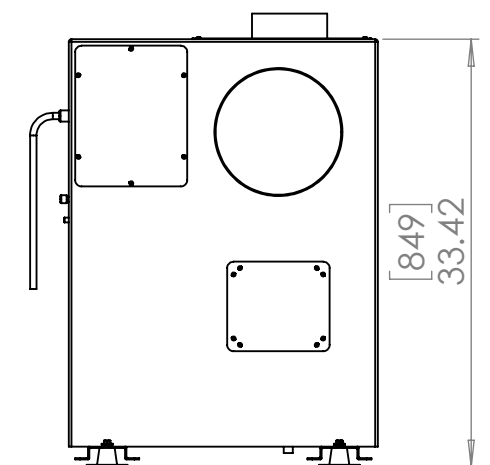
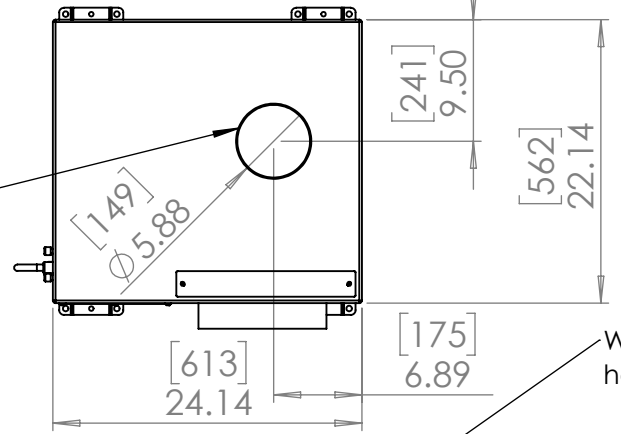
Compressor Inlet - do not obstruct

Power cord, 10ft [3m] to Cyclone enclosure

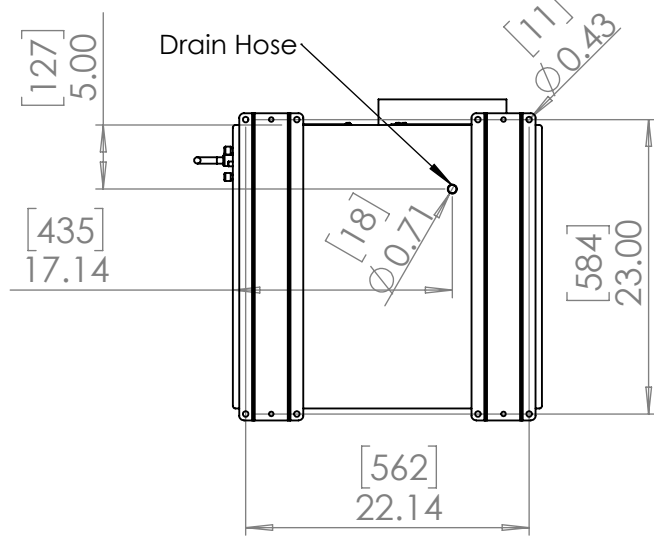
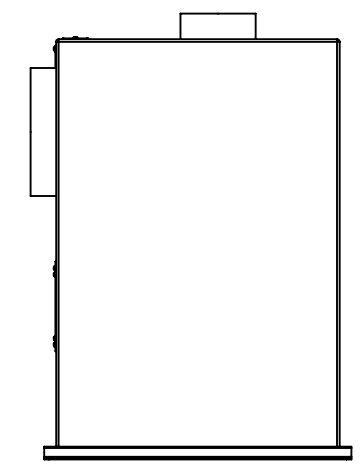


Cool (flow) hose adapter

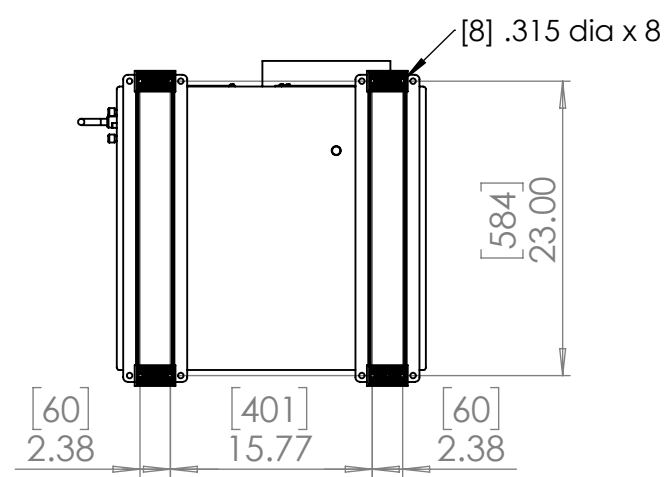
Warm (Return) hose adapter



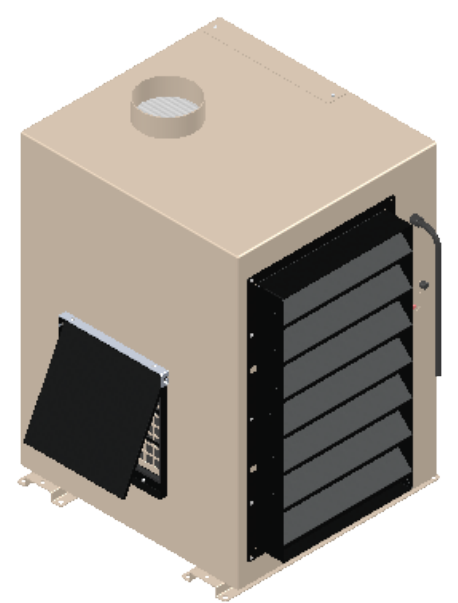
With optional anti-vibration kit



Drain Hose




[8] .315 dia x 8



ActiveCool with optional Salt Fog Filter Kit.

UNLESS OTHERWISE SPECIFIED:  
 DIMENSIONS ARE IN INCHES  
 TOLERANCES:  
 FRACTIONAL ±  
 ANGULAR: MACH ± BEND ±  
 TWO PLACE DECIMAL ±  
 THREE PLACE DECIMAL ±  
 INTERPRET GEOMETRIC TOLERANCING PER:  
 MATERIAL  
 FINISH  
 DO NOT SCALE DRAWING

	NAME	DATE
DRAWN	TB	10/16/2020
CHECKED		
ENG APPR.		
MFG APPR.		
Q.A.		
COMMENTS:		



**TEMPEST**  
lighting inc.

TITLE:  
**ActiveCool Cooler**

SIZE	DWG. NO.	REV
<b>B</b>	AC55.xx	01

SCALE: 1:10 SHEET 1 OF 1

8 7 6 5 4 3 2 1